



A=H[®]

Innovation, Quality, Customer Service

Tel (630) 875-9900 • Fax (800) 932-9224 • www.abhmfg.com • abhinfo@abhmfg.com



Manufacturing, Inc.



- Overhead Holders & Stops
- Hospital Push/Pull Latches
- Electro-Magnetic Door Holders
- Electrical Power Transfer Products
- Aluminum Continuous Geared Hinges
- Stainless Steel Continuous Pin & Barrel Hinges
- Stainless Steel Edge Guards
- Pivots & Pivot Sets
- Rescue Hardware
- Coordinators, Flush Bolts & Roller Latches
- Slide Bolts, Surface Bolts & Miscellaneous Products

Product Cross Reference



Innovation, Quality,
Customer Service...

Table of Contents

Overhead Holders & Stops	A-2
Hospital Push/Pull Latches	A-3
Electro-Magnetic Holders	A-4
Electrical Power Transfers.....	A-4
Aluminum Continuous Geared Hinges.....	A-5
Stainless Steel Continuous Pin & Barrel Hinges.....	A-6
Stainless Steel Edge Guards.....	A-7
Pivots & Pivot Sets	A-8
Rescue Hardware & Double-Lipped Strikes	A-10
Coordinators	A-11
Flush Bolts	A-11
Roller Latches	A-11
Surface Bolts	A-12
Door Stops	A-12



Overhead Holders & Stops

Innovation, Quality,
Customer Service...

Type	Function	ABH*	GJ*	ASSA Abloy*			Dorma*	ANSI Code
				Rixson*	Sargent*	Rockwood*		
Concealed Mount - Heavy Duty	Hold Open	1010SL	100H	-	-	-	-	C01511
	Stop	1020SL	100S	6-x36	1760S	-	-	C01541
	Hold Open	1010SA	100HADJ	-	-	-	-	C01511
	Stop	1020SA	100SADJ	6ADJ-x36	-	-	-	C01541
	Hold Open	1010	-	1-x26	690H 1710H	OH100H	910H	C01511
	Stop	1020	-	1-x36	690S 1710S	OH100S	910S	C01541
	Friction	1030	-	1-x16	-	-	-	C01531
	Hold Open	1010A	-	1ADJ-x26	-	-	-	C01511
	Stop	1020A	-	1ADJ-x36	-	-	-	C01541
	Friction	1030A	-	1ADJ-x16	-	-	-	C01531
Concealed Mount - Medium Duty	Hold Open	4010	410H	2-x26 5-x26	1530H 1720M	OH200M	710H	C04511
	Stop	4020	410S	2-x36 5-x36	1530S 1720M	OH200M	710S	C04541
	Friction	4030	410F	2-x16	1530F 1720M	OH200M	710F	C04531
Surface Mount - Medium Duty	Hold Open	4410	450H	10-x26 55-x26	1540H 1700M	OH1000M	700H	C05511
	Stop	4420	450S	10-x36 55-x36	1540S 1700M	OH1000M	700S	C05541
	Friction	4430	450F	10-x16	1540F 1700M	OH1000M	700F	C05531
Surface Mount - Heavy Duty	Hold Open	7010	70H	-	-	-	-	C08511
	Stop	7020	70S	-	-	-	-	C08541
	Hold Open	HD7010	79H	-	-	-	-	C08511
	Stop	HD7020	79S	-	-	-	-	C08541
	Hold Open	8010	81H	8-x26	-	-	-	C03511
	Stop	8020	81S	8-x36	-	-	-	C03541
	Hold Open	9010	90H	9-x26	590H 1790H	OH900H	900H	C02511
	Stop	9020	90S	9-x36	590S 1790S	OH900S	900S	C02541
	Friction	9030	90F	9-x16	-	-	-	C02531
	Hold Open	9010A	-	9ADJ-x26	-	-	-	C02511
	Stop	9020A	-	9ADJ-x36	-	-	-	C02541
Friction	9030A	-	-	-	-	-	C02531	

*Brand names are trademarks or registered trademarks of their respective companies.

Architectural Builders Hardware Manufacturing, Inc.
1222 Ardmore Avenue, Itasca, IL 60143

Tel: 630-875-9900 • Fax: 630-875-9918 / 800-932-9224

Web: www.abhmf.com • Email: abhinfo@abhmf.com



Product Cross-Reference



Hospital Push/Pull Latches

Innovation, Quality,
Customer Service...

Type	ABH*	GJ*	ASSA Abloy*			Trimco*
			Rockwood*	Sargent*	Corbin Russwin*	
Cylindrical Latch	6000	HL6	596	-	-	-
	6800	-	-	114 / 115	-	1562
	LR6000	-	-	HPU15 ALP	HP3010 HPSK	-
	6000PL 6000PS	HL6-EO	-	-	-	-
	6800PL 6800PS	-	-	-	-	1562AE
	6100	-	-	-	-	-
	6200	-	-	-	-	-
	6400	PL7	-	-	-	-
	6500	PL8	-	-	-	-
	6830	-	-	-	-	1591
Trim with Mortise Lock Body	6600	HL6-9000	-	7800 PT	-	1562 Q55 1562 M55
	LR6600	-	-	8200 ALP	-	-
Trim Only for Other Manufacturers' Mortise Lock	6700	-	-	-	-	-
	LR6700	-	-	-	-	-

*Brand names are trademarks or registered trademarks of their respective companies.



Architectural Builders Hardware Manufacturing, Inc.
1222 Ardmore Avenue, Itasca, IL 60143
Tel: 630-875-9900 • Fax: 630-875-9918 / 800-932-9224
Web: www.abhmfg.com • Email: abhinfo@abhmfg.com

Electro-Magnetic Holders

Innovation, Quality,
Customer Service...

Type	ABH*	ASSA Abloy*		LCN*	Dorma*
		Rixson*	Sargent*		
Recessed Mount	2100	FM998 FM997 FM994	1561	SEM7850 SEM7840 SEM1980 SEM1970	EM-504 EM-505
Surface Mount	2300	FM996	1560	SEM7830 SEM1960	EM-508
Flush Mount	2400	FM990	-	-	EM-509
Low Profile - Flush Mount	2400L	-	-	-	-
Extra Low Profile - Flush Mount	2400LS	FM989	-	-	-
300# Heavy Duty - Surface Mount	2510	FM993	-	-	-
Floor Mount - Single	2600	FM980	1562	SEM7820	EM-501
Floor Mount - Double	2700	FM981	1563	-	EM-502

Electrical Power Transfers

Type	ABH*	Von Duprin*	ASSA Abloy*		Dorma*
			Securitron*	Adams Rite*	
PT	PT1000	EPT-10	CEPT-10	-	-
	PT200	EPT-2	-	-	-
Ethernet Cable	PTC5E	-	CEPT-C5E	-	-
105° Door Swing	PT105	-	SEPT	-	ES105
	PTR105	-	EPT	4612-1	-
180° Door Swing	PT180	-	-	-	-
	PTR180	-	EPTL	4612-2	-
Molex® Connectors	"EZ" Option	-	EL	-	-

*Brand names are trademarks or registered trademarks of their respective companies.



Product Cross Reference



Aluminum Continuous Geared Hinges

Innovation, Quality,
Customer Service...

Type	ABH*	Hager*	Select*	ASSA Abloy*		Stanley*	Ives*
				Pemko*	McKinney*		
Full Concealed	A110	780-112	SL11	FM_SLF	MCK-12	661	112
	A110WT	780-235	SL40	WT_FM	MCK-WT	-	-
	A111	780-111	SL18	-	MCK-14	-	-
	A111WT	-	-	-	-	-	-
	A130	780-113	SL71	FM_SLISF	MCK-38	-	-
	A140	780-124	SL14	-	-	-	-
	A150	-	-	K_FM	-	-	-
	A160	-	-	-	-	-	-
	A240	780-224	SL24	FM	MCK-25	662	224
	A260	-	SL26	-	-	-	-
	A270	780-226	SL27	-	-	-	-
	A410	780-041	SL41	OS_FM	-	-	-
Half Surface	A211	780-211	-	OS_HS	-	-	-
	A213	780-213	-	-	-	-	-
	A450	780-045	-	-	-	-	045
	A460	780-046	-	-	-	-	046
	A530	780-053	SL53	-	-	-	053
	A540	780-054	SL54	HS	MCK-54	663	054
	A550	780-155	-	HS_SF	-	-	-
Full Surface	A210	780-210	SL21	FS	MCK-22	665	210
	A570	780-157	SL57	FS_CP	MCK-58	-	157
	A571	780-057	SL60	FS_BP	-	664	-

*Brand names are trademarks or registered trademarks of their respective companies.



Architectural Builders Hardware Manufacturing, Inc.
1222 Ardmore Avenue, Itasca, IL 60143
Tel: 630-875-9900 • Fax: 630-875-9918 / 800-932-9224
Web: www.abhmfg.com • Email: abhinfo@abhmfg.com

Product Cross Reference



Stainless Steel Continuous Pin & Barrel Hinges

Innovation, Quality,
Customer Service...

Type	ABH*	ASSA Abloy*		Hager*	Stanley*	Ives*
		Markar*	McKinney*			
Full Concealed	A500	FM300	MCK-FM300	790-900	651	700
	A500WT	FM300WT	-	-	-	-
	A505	HG305	MCK-HG305	790-905	652	705
	A510	HG310	MCK-HG310	-	-	-
	A511	HG311	MCK-HG311	790-911	656	711
	A515	HG315	MCK-HG315	790-915	653	715
	A526	HG326	MCK-HG326	790-926	-	-
	A529	HG329	-	790-929	-	-
	A5500	FM3500	MCK-FM3500	-	651HD	-
	A5505	FM3505	MCK-FM3505	-	652HD	-
	A5515	-	-	-	653HD	-
Full Surface	A502	FS302	MCK-FS302	-	657	702
Half Surface	A503	HS303	MCK-HS303	790-903	-	-
Half Mortise	A504	HM304	MCK-HM304	790-904	654	-
	A506	HG306	MCK-HG306	790-906	655	-

*Brand names are trademarks or registered trademarks of their respective companies.

Architectural Builders Hardware Manufacturing, Inc.

1222 Ardmore Avenue, Itasca, IL 60143

Tel: 630-875-9900 • Fax: 630-875-9918 / 800-932-9224

Web: www.abhmfg.com • Email: abhinfo@abhmfg.com



Stainless Steel Edge Guards

Innovation, Quality,
Customer Service...

Mortised Type	ABH*	ASSA Abloy*		Trimco*	Hager*
		Markar*	Rockwood*		
2-Sided - Square Edge	A528SM	-	300	KE31-1	180H
2-Sided - Bevel Edge	A528BM	-	301	KE32-1	180K
3-Sided - Square Edge	A538SM	-	302	KR33-1	180M
3-Sided - Bevel Edge	A538BM	-	302B	KE33-1-93	180P
3-Sided - Radius Edge	A538RM	-	-	KE34-1	180Q
3-Sided with Astragal - Square Edge	A548SM	-	-	-	-
3-Sided with Astragal - Bevel Edge	A548BM	-	-	-	-
Non-Mortised Type	ABH*	ASSA Abloy*		Trimco*	Hager*
		Markar*	Rockwood*		
2-Sided - Square Edge	A528S	EG-C-308	304	-	182H
2-Sided - Bevel Edge	A528B	EG-C-308	305	-	182K
3-Sided - Square Edge	A538S	EG-308	306	-	182M
3-Sided - Bevel Edge	A538B	EG-308	306B	-	182P
3-Sided - Radius Edge	A538R	-	307	-	182Q
Overlapping - 2-Sided - Square Edge	A528SO	-	308	KE35-1	181H
Overlapping - 2-Sided - Bevel Edge	A528BO	-	309	KE36-1	181K
Overlapping - 3-Sided - Square Edge	A538SO	-	310	KE37-1	181M
Overlapping - 3-Sided - Bevel Edge	A538BO	-	310B	KE37-1-93	181P
3-Sided with Astragal - Square Edge	A548S	EG-T-308	306-AST	-	-
3-Sided with Astragal - Bevel Edge	A548B	EG-T-308	306B-AST	-	-

*Brand names are trademarks or registered trademarks of their respective companies.



Architectural Builders Hardware Manufacturing, Inc.
1222 Ardmore Avenue, Itasca, IL 60143
Tel: 630-875-9900 • Fax: 630-875-9918 / 800-932-9224
Web: www.abhmfg.com • Email: abhinfo@abhmfg.com

Pivots & Pivot Sets

Innovation, Quality,
Customer Service...

Type	ABH*	Rixson*	Ives*	Dorma*	ANSI/BHMA*
3/4" Offset	0117	<ul style="list-style-type: none"> • 117 • F117 	-	<ul style="list-style-type: none"> • OP440 • OPF440 	<ul style="list-style-type: none"> • C07162 • C07202
	0117.25	117-1/4	7212	-	C07172
	0117.50	<ul style="list-style-type: none"> • 117-1/2 • F117-1/2 	<ul style="list-style-type: none"> • 7227 • 7227F 	<ul style="list-style-type: none"> • OPH750 • OPHF750 	<ul style="list-style-type: none"> • C07121 • C07202
	0147	<ul style="list-style-type: none"> • 147 • F147 	<ul style="list-style-type: none"> • 7226 • 7226F 	-	<ul style="list-style-type: none"> • C07162 • C07202
	0165	165	-	-	C07162 (modified)
	0173	173	7222	-	C07162
	0180	<ul style="list-style-type: none"> • 180 • F180 • 180-20 • H180 • H180-20 • FH180 	<ul style="list-style-type: none"> • 7212 TOP • 7215 TOP • 7215F TOP • 7222 TOP • 7226 TOP • 7226F TOP • 7227 TOP • 7227F TOP 	75120	-
	019	<ul style="list-style-type: none"> • M19 • M19-20 • FM19 • M190 • M190-20 • FM190 	<ul style="list-style-type: none"> • 7215 INT • 7215F INT • 7226 INT • 7226F INT • 7227 INT • 7227F INT 	75220	<ul style="list-style-type: none"> • C07321 • C07371
	0195	<ul style="list-style-type: none"> • 195 • F195 	<ul style="list-style-type: none"> • 7215 SET • 7215F SET 	OPJ350	C07131
	0547	<ul style="list-style-type: none"> • 547 • F547 	-	-	C07162 (modified)
	L0117	<ul style="list-style-type: none"> • L117 • FL117 	7237F SET	OPL800	C07111
	L0147	<ul style="list-style-type: none"> • L147 • FL147 	7230F SET	OPL440	<ul style="list-style-type: none"> • C07162 • C07202
	L0180	<ul style="list-style-type: none"> • L180 • FL180 	7230F TOP	75140	-
	L019	<ul style="list-style-type: none"> • ML19 • FML19 	<ul style="list-style-type: none"> • 7230F INT • 7237F INT 	75240	C07311

*Brand names are trademarks or registered trademarks of their respective companies.



Product Cross Reference



Pivots & Pivot Sets

Innovation, Quality,
Customer Service...

Type	ABH*	Rixson*	Ives*	Dorma*	ANSI/BHMA*	
1-1/2" Offset	0147-1.5	<ul style="list-style-type: none"> • 147 x 1-1/2 OS • F147 x 1-1/2 OS 	7244F	OP15200	C07162	
	0180-1.5	<ul style="list-style-type: none"> • 180 x 1-1/2 OS • F180 x 1-1/2 OS • H180 x 1-1/2 OS 	<ul style="list-style-type: none"> • 7244F TOP • 7245F TOP 	15120	-	
	019-1.5	<ul style="list-style-type: none"> • M19 x 1-1/2 OS • M19 x 1-1/2 OS-20 • FM19 x 1-1/2 OS 	<ul style="list-style-type: none"> • 7244F INT • 7245F INT 	15220	<ul style="list-style-type: none"> • C07321 • C07371 	
Reinforcing 1/8" Inset	0923	-	-	-	-	
Center Hung	0127	127-3/4	7255J	-	C07042	
	0128	128-3/4	-	-	C07032	
	0320	320	-	-	-	
	0321	-	-	-	-	
	0327	-	-	-	-	C07042
	0340	340	<ul style="list-style-type: none"> • 7253 TOP • 7255 TOP • 7255J TOP • 7256 TOP 	8062	-	
	0345	345	-	-	-	
	0370	370	7255	<ul style="list-style-type: none"> • CP440 • CPA440 	C07032	
Pocket Pivot	0519	F519	91105F	75520	C07611	
Electrical Power Transfer	E019	<ul style="list-style-type: none"> • EM19 • EFM19 	<ul style="list-style-type: none"> • 7215PT INT • 7226PT INT • 7227PT INT 	75200	-	
	E019U	EM19U	-	-	-	
	CM019	CSM19	-	-	-	
	CME019	CSEM19	-	-	-	
	E019-1.5	EM19 x 1-1/2 OS	-	-	-	
	E0340	EH340	-	E8062	-	
	E0345	EH345	-	-	-	
	E0519	EF519	91105FPT	-	-	
	EL019	<ul style="list-style-type: none"> • EML19 • EFML19 	-	-	-	

*Brand names are trademarks or registered trademarks of their respective companies.



Architectural Builders Hardware Manufacturing, Inc.
1222 Ardmore Avenue, Itasca, IL 60143
Tel: 630-875-9900 • Fax: 630-875-9918 / 800-932-9224
Web: www.abhmfg.com • Email: abhinfo@abhmfg.com

Product Cross Reference



Rescue Hardware & Double-Lipped Strikes

Innovation, Quality,
Customer Service...

Type	Description	ABH*	McKinney*	Stanley*	Hager*
Double-Lipped Strikes	5-3/4" Frame - Center Hung	DS4510	DLS-8	DLS-2	451
	6-3/4" Frame - Center Hung	DS4520	DLS-8	DLS-2	452
	5-3/4" Frame - 1/8" Inset	DS4530	DLS-8	DLS-1	453
	6-3/4" Frame - 1/8" Inset	DS4540	DLS-8	DLS-1	454
	Special Size - Cylindrical Latch	SDS4500	-	-	-
	Special Size - Mortise Lock	SDSM4500	-	-	-
Rescue Stop & Double-Lipped Strike Combos	5-3/4" Frame - Center Hung	CR4550	-	-	455
	6-3/4" Frame - Center Hung	CR4560	-	-	456
	5-3/4" Frame - 1/8" Inset	CR4570	-	-	457
	6-3/4" Frame - 1/8" Inset	CR4580	-	-	458
	Special Size - Cylindrical Latch	SCR4550	-	-	-
	Special Size - Mortise Lock	SCRM4550	-	-	-
	5-3/4" Frame - Center Hung	CR4591	CSS-9	-	-
	6-3/4" Frame - Center Hung	CR4592	CSS-9	-	-
	6-3/4" Frame - 1/8" Inset	CR4593	CSS-9	-	-
	5-3/4" Frame - 1/8" Inset	CR4594	CSS-9	-	-
	Special Size - Cylindrical Latch	SCR4590	-	-	-
	Special Size - Mortise Lock	SCRM4590	-	-	-
Rescue Stop	Stand Alone	4590	DS-6	ES-1	610

*Brand names are trademarks or registered trademarks of their respective companies.

Architectural Builders Hardware Manufacturing, Inc.
1222 Ardmore Avenue, Itasca, IL 60143

Tel: 630-875-9900 • Fax: 630-875-9918 / 800-932-9224

Web: www.abhmfg.com • Email: abhinfo@abhmfg.com



Coordinators

ABH*	Rockwood*	Ives*	DCI*	Hager*	Trimco*	Don Jo*	Cal Royal*
3711	-	COR32 FL20	N-652	-	3094A2	2011	-
3712	2660	COR32 FL32	-	-	3094B1	2012	-
3721	2672	COR52 FL20	672	297D	3094B2	2021	DORCO-1 FB1858
3722	2684	COR52 FL32	684	297D	3094B3	2022	DORCO-1 FB3258
3723	2696	COR52 FL44	696	297D	3094B4	2023	-
3733	-	COR60 FL44	L-6104	-	3094C4	2033	-
3741	NX2654	COR42 FL20	NX-654	-	-	-	-
3751	2601AB	MB-1	601AB	297M	3095	2051	MB4750
3752	2601C	MB-2	601C	297N	3096	2050	MB4250
3760	1100	CB1	CB	297C	3090	2060	CBO-1
3780	1700	-	-	-	3092	2040	-
3790	576	COR7G	500	298D	3093	2080	FRGC065

Flush Bolts

ABH*	Rockwood*	Ives*	DCI*	Hager*	Trimco*	Don Jo*	Cal Royal*
1855S	555	FB458	780F	282D	3917	1555	-
1857S	557	FB358	790F	283D	3913	1557	-
1860P	2842	FB31P	842	292D	3810	1560	AUTOFLM1
1862P	2942	FB41P	942	291D	3815	1562	AUTOFLW22
1870	570	DP2	80	280X	3910	1570	-
1872	-	DP1	81	-	3910N	1572	-

Roller Latches

ABH*	Rockwood*	Ives*	DCI*	Hager*	Trimco*	Don Jo*	Cal Royal*
1890	590	RL30	4030A	1442	1559A	1700	ARL1338
1890S	590DA	-	-	-	-	-	-
1891	591	RL30A	4030C	1443	1559C	1704	-
1892	592	-	4030B	318D	1559B	1702	ARL1338 x STRK62
1893	593	RL1152	4040	318S	1559BL	-	-
1894	-	-	-	-	-	-	-
1895	594	RL32	-	320R	1554B	1710	ARCT3350
1896	-	RL32A	-	-	1554C	-	-
1897	-	-	-	-	1554A	-	-
1898	-	-	-	-	-	-	-

*Brand names are trademarks or registered trademarks of their respective companies.



Architectural Builders Hardware Manufacturing, Inc.
1222 Ardmore Avenue, Itasca, IL 60143
Tel: 630-875-9900 • Fax: 630-875-9918 / 800-932-9224
Web: www.abhmfg.com • Email: abhinfo@abhmfg.com

Surface Bolts

Innovation, Quality,
Customer Service...

ABH*	Rockwood*	Ives*	DCI*	Hager*	Trimco*	Don Jo*	Cal Royal*
N1815	580-8	SB453-8	1008F	275D	3922	1580	ESBUL50
N1815L	582-8	SBO454-8	1008P	-	3922L	1582	-
N1825	580-12	SB453-12	1012F	276D	3923	1581	ESBUL12
N1825L	582-12	SBO454-12	1012P	-	-	-	-
HD1825	585-12	SB360	-	-	-	-	-
HD1835	585-24	-	-	-	-	-	-

Door Stops

ABH*	Rockwood*	Ives*	Hager*	Trimco*	Don Jo*
1801	-	AS18	-	-	1420
1802	-	-	-	-	-
1803	466	FS18S	269F	1209	1462
H1803	-	-	-	-	-
EHD1803	465	FS18L	269T	-	1463
1803HO	464	-	-	-	-
1804	-	-	-	-	-

*Brand names are trademarks or registered trademarks of their respective companies.



The background of the entire page is a photograph of various metal components, likely overhead holders and stops, arranged in rows. The components are made of a light-colored metal, possibly aluminum, and have a U-shaped or channel-like profile. Some components have holes or slots. The lighting is bright, creating highlights and shadows that emphasize the metallic texture and the industrial nature of the products. In the top right corner, there is a white, semi-transparent hexagonal pattern that overlaps the main image.

ABH[®]
MANUFACTURING INC.

OVERHEAD

HOLDERS & STOPS

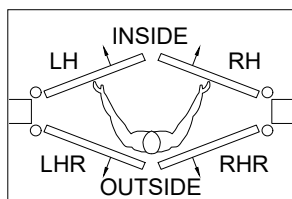
Mini Product Catalog

www.abhmfg.com
630-875-9900

Overhead Holders & Stops

Table of Contents

■ STANDARD FINISHES	1
■ OVERHEAD HOLDERS & STOPS REFERENCE CHART	2
■ GENERAL INFORMATION	3
■ INSTALLATION METHODS	4
■ PARTS	5
■ OPTIONS	6
CONCEALED MOUNT – OVERHEAD HOLDERS & STOPS	
■ 1000 SERIES OVERHEAD HOLDERS & STOPS	
1000–Heavy Duty	7
1000RA–Heavy Duty, Adjustable	8
1000A– Heavy Duty, Adjustable	9
1000SL–Heavy Duty, Slim Line	10
1000SA–Heavy Duty, Slim Line, Adjustable	11
■ 4000 SERIES OVERHEAD HOLDERS & STOPS	
4000–Medium Duty	12
4000RA–Medium Duty, Adjustable	13
SURFACE MOUNT – OVERHEAD HOLDERS & STOPS	
■ 3300 SERIES OVERHEAD HOLDERS & STOPS	
3300A–Medium Duty, Adjustable	14
■ 3400 SERIES OVERHEAD HOLDERS & STOPS	
3400–Medium Duty, Side Jamb Mount	15
■ 3500 SERIES OVERHEAD HOLDERS & STOPS	
3500–Parallel Arm Holder, Handed	16
■ 4400 SERIES OVERHEAD HOLDERS & STOPS	
4400–Medium Duty	17
4400RA–Medium Duty, Adjustable	18
■ 7000 SERIES OVERHEAD HOLDERS & STOPS	
7000–Heavy Duty	19
HD7000–Extra Heavy Duty	20
■ 8000 SERIES OVERHEAD HOLDERS & STOPS	
8000–Extra Heavy Duty	21
■ 9000 SERIES OVERHEAD HOLDERS & STOPS	
9000–Heavy Duty	22
9000RA–Heavy Duty, Adjustable	23
9000A–Heavy Duty, Adjustable	24



Standard Finishes

				ABH PRODUCTS																					
S - Standard C - Custom		ANSI #	Color Name	Door Pulls & Custom Pulls	Rescue Hardware	Electrical Power Transfers	Locking Ladder Pulls	Custom Strikes	Electromagnetic Door Holders	Surface Bolts, Slide Bolts, Vertical Rod Protectors & Covers	Roller Latches	Coordinators	Flush Bolts	Wall Stops, Floor Stops, Applied Stops, Pipe Stops	Overhead Holders & Stops	Hospital Push/Pulls	Cam Lift Hinges & Specialty Hinges	Custom Slim Line Pivots	Pivots & Pivot Seals	Stainless Steel Door Edge Guards	Continuous Hinges	Stainless Steel Pin & Barrel	Aluminum Geared Hinges		
PLATED FINISHES	S	US3	605/632	BRIGHT BRASS	•	•	•	•	•	•			•	•	•	•	•	•	•	•	•	•	•	•	
	S	US4	606/633	SATIN BRASS	•	•	•	•	•	•			•	•	•	•	•	•	•	•	•	•	•	•	•
	C	US5	609/638	BRASS SATIN OXIDIZED	•	•	•	•	•	•						•	•	•	•	•	•	•	•	•	•
	S	US9	611	BRIGHT BRONZE - CLEAR COATED	•	•	•	•	•	•						•	•	•	•	•	•	•	•	•	•
	S	US10	612/639	SATIN BRONZE	•	•	•	•	•	•				•	•	•	•	•	•	•	•	•	•	•	•
	C	US10A	641	ANTIQUÉ BRONZE LACQUERED	•	•	•	•	•	•						•	•	•	•	•	•	•	•	•	•
	S	US10B	613/640	BRONZE OILED	•	•	•	•	•	•				•	•	•	•	•	•	•	•	•	•	•	•
	C	US14	618	BRIGHT NICKEL (US32)	•	•	•	•	•	•						•	•	•	•	•	•	•	•	•	•
	C	US14B	-	BRIGHT BLACK NICKEL	•	•	•	•	•	•						•	•	•	•	•	•	•	•	•	•
	C	US15	619/646	SATIN NICKEL	•	•	•	•	•	•						•	•	•	•	•	•	•	•	•	•
	C	US15A	620/647	SATIN NICKEL ANTIQUE OXIDIZED	•	•	•	•	•	•						•	•	•	•	•	•	•	•	•	•
	C	US17A	621	SATIN BLACK NICKEL CLEAR COAT	•	•	•	•	•	•						•	•	•	•	•	•	•	•	•	•
	S	US26	625/651	BRIGHT CHROME (US32)	•	•	•	•	•	•						•	•	•	•	•	•	•	•	•	•
	C	US26D	626/652	SATIN CHROME (US32D)	•	•	•	•	•	•				•	•	•	•	•	•	•	•	•	•	•	•
S	US32D	630	SATIN STAINLESS STEEL	•	•	•	•	•	•				•	•	•	•	•	•	•	•	•	•	•	•	
S	US32	-	BRIGHT STAINLESS	•	•	•	•	•	•				•	•	•	•	•	•	•	•	•	•	•	•	
S	USP	600	PRIME COAT	•	•	•	•	•	•						•	•	•	•	•	•	•	•	•	•	
COATED FINISHES	S	S1	-	PAINTED ALUMINUM	•	•	•	•	•	•					•	•	•	•	•	•	•	•	•	•	
	S	S2	695	PAINTED BRASS	•	•	•	•	•	•					•	•	•	•	•	•	•	•	•	•	•
	S	S3	694	PAINTED BRONZE	•	•	•	•	•	•					•	•	•	•	•	•	•	•	•	•	•
	S	S4/BSP	693	BLACK SUEDE POWDER COATING	•	•	•	•	•	•				•	•	•	•	•	•	•	•	•	•	•	•
	S	S5	695	PAINTED DARK BRONZE	•	•	•	•	•	•					•	•	•	•	•	•	•	•	•	•	•
	S	S8/WSP	-	WHITE SUEDE POWDER COATING	•	•	•	•	•	•					•	•	•	•	•	•	•	•	•	•	•
S	AM	-	CRYSTAL CLEAR - ANTI-MICROBIAL	•	•	•	•	•	•						•	•	•	•	•	•	•	•	•	•	
ANODIZED FINISHES	S	C	-	CLEAR ANODIZED (US28)					•															•	
	C	ABH	-	CHAMPAGNE ANODIZED																				•	
	C	ABH	-	LIGHT BRONZE ANODIZED																				•	
	C	ABH	-	MEDIUM BRONZE ANODIZED																				•	
	C	D	-	DARK BRONZE ANODIZED																				•	
	S	ABH	-	STAT BRONZE ANODIZED																				•	
	S	B	-	BLACK ANODIZED																				•	
C	ABH	-	GOLD ANODIZED																				•		
C	ABH	-	CUSTOM ANODIZED FINISHES																				•		

*** Custom Finishes Available - Contact Factory**

ABH® reserves the right to make changes or improvements in design, material, parts or specifications, and "discontinue" without notice.

Electrical Power - Cross Reference Chart

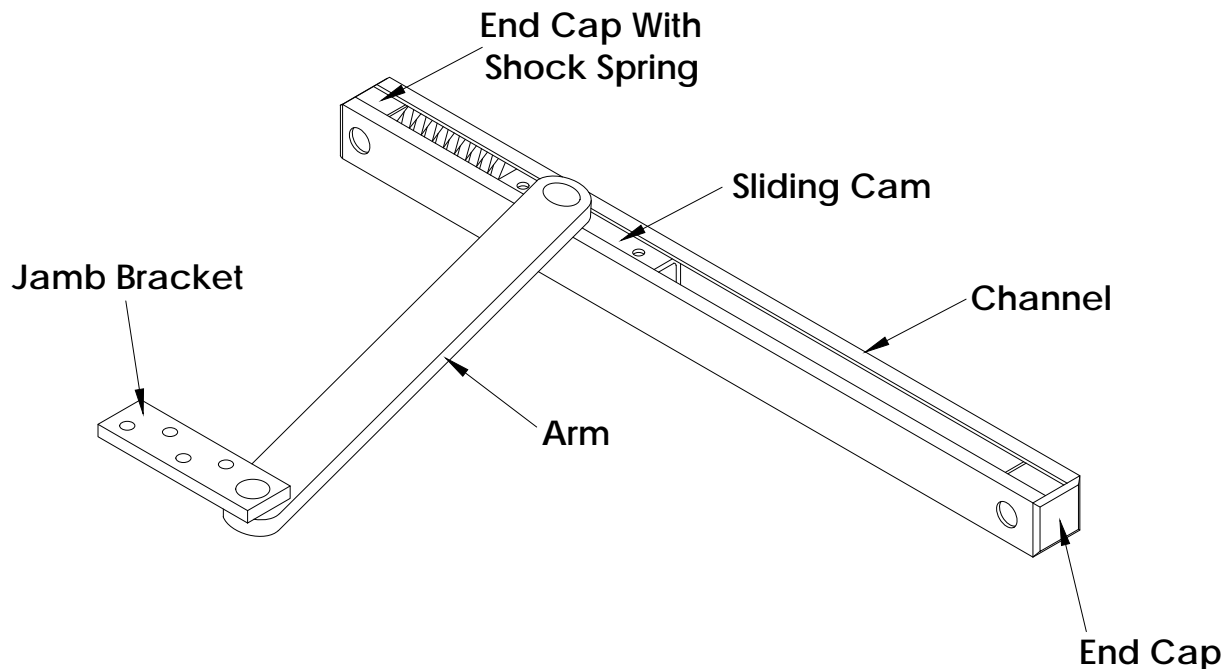
Type	Function	ABH	GJ*	ASSA Abloy*			Dorma*	Hagar*	ANSI Code
				Rixson*	Sargent*	Rockwood*			
Concealed Mount	Hold Open	1010		1-x26	690H	OH100H	910H	7017 CON	C01511
	Stop	1020	-	-	690S	OH100S	910S	7016 CON	C01541
	Friction	1030	-	1-x16	-	-	-	7015 CON	C01531
	Hold Open	1010A	-	1ADJ-x26	-	-	-	-	C01511
	Stop	1020A	-	1ADJ-x36	-	-	-	-	C01541
	Friction	1030A	-	-	-	-	-	-	C01531
	Hold Open	1010RA	510	-	-	-	-	-	C01511
	Stop	1020RA		-	-	-	-	-	C01541
	Friction	1030RA		-	-	-	-	-	C01531
	Hold Open	1010SA	100HADJ	-	-	-	-	-	C01511
	Stop	1020SA	100SADJ	6ADJ-x36	-	-	-	-	C01541
	Hold Open	1010SL	100H	-	-	-	-	-	C01511
	Stop	1020SL	100S	6-x36	-	-	-	-	C01541
	Hold Open	3310A	-	-	-	-	-	6017 SRF	C01511
	Stop	3320A	-	-	-	-	-	6016 SRF	C01541
	Friction	3330A	-	-	-	-	-	6015 SRF	C01531
	Hold Open	3414	-	-	-	-	-	-	-
	Stop	3424	-	-	-	-	-	-	-
	Friction	3434	-	-	-	-	-	-	-
	Hold Open	3500	-	-	-	-	-	-	-
	Hold Open	4010	410H	2-X26 5-X26	1530H	-	710H	-	C04511
	Stop	4020	410S	2-X36 5-X36	1530S	-	710S	-	C04541
	Friction	4030	410F	2-X16	1530F	-	710F	-	C04531
	Surface Mount	Hold Open	4010RA	-	-	-	OH200M	-	-
Stop		4020RA	-	-	-	-		-	C04541
Friction		4030RA	-	-	-	-		-	-
Hold Open		4410	450H	10-x26 55-x26	1540H	-	-	-	C05511
Stop		4420	450S	10-x36 55-x36	1540S	-	-	-	C05541
Friction		4430	450F	10-x16	1540F	-	-	-	C05531
Hold Open		410RA	-	-	-	OH1000M	-	-	C04511
Stop		4420RA	-	-	-		-	-	C04541
Friction		4430RA	-	-	-		-	-	C04531
Hold Open		7010	70H	-	-	-	-	-	C08511
Stop		7020	70S	-	-	-	-	-	C08541
Hold Open		7010HD	79H	-	-	-	-	-	C08511
Stop		7020HD	79S	-	-	-	-	-	C08541
Hold Open		8010	81H	8-x26	-	-	-	-	C03511
Stop		8020	81S	8-x36	-	-	-	-	C03541
Hold Open		9010	90H	9-x26	590H	OH900H	900H	7017 SRF	C02511
Stop		9020	90S	9-x36	590S	OH900S	900S	7016 SRF	C02541
Friction		9030	90F	9-x16	-	-	-	7015 SRF	C02531
Hold Open		9010A	-	9ADJ-x26	-	-	-	-	C02511
Stop		9020A	-	9ADJ-x36	-	-	-	-	C02541
Friction		9030A	-	-	-	-	-	-	C02531
Hold Open		9010RA	550	-	-	-	-	-	C02511
Stop		9020RA		-	-	-	-	-	C02541

* Brand names are trademarks or registered trademarks of their respective companies.

General Information

Overhead Holders & Stops

Overhead Holders and Stops are used to prevent unnecessary damage to the door, frame, wall and other door hardware by limiting the degree of door swing. They are installed at the top of a door opening; therefore, out of the general reach and not a tripping hazard. Whether for commercial or residential application, the use of overhead holders and stops extends the life of the opening and other hardware.



Functions

ABH offers three functions for most Overhead Holders and Stops.

- **HOLD OPEN** - Door will stay held open at the selected degree of the opening. Hold open adjustment screw controls the amount of force required to disengage the hold open mechanism.
- **STOP** - Door stops at selected degree of opening.
- **FRICTION** - Most commonly used on doors without closures. Door will virtually stay held open at the selected degree of opening. Friction tension adjustment screw controls the amount of resistance when opening and closing the door.

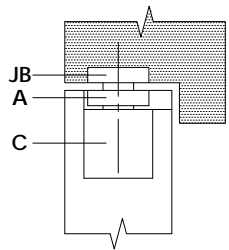
Overhead Holders & Stops

Installation Methods - Concealed Mount vs. Surface Mount

Concealed Mount Installation

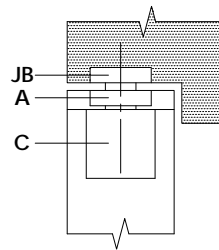
Concealed Mount requires cut-outs in both the frame and door for installation. Surface mounted overhead holders mount on the face of the soffit and the face of the door, making it an easier installation for existing openings.

- | | |
|-----|----------------------|
| A | = Arm |
| AJB | = Angle Jamb Bracket |
| C | = Channel |
| JB | = Jamb Bracket |



Example 1 - Single Acting Doors

- Jamb bracket mortised into soffit (JB)
- Arm cut-out on stop side of door only (A)
- Channel mortised into top of door (C)

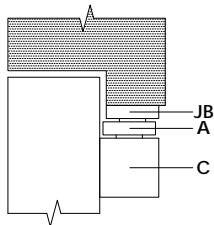


Example 2 - Double-acting Doors

- Jamb bracket mortised into soffit (JB)
- Arm cut-out on both sides of door (A)
- Channel mortised into top of door (C)

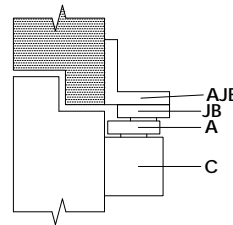
Surface Mount Installation

Surface Mounted overhead holders mount on the face of the soffit and the face of the door, making it an easier installation for existing openings.



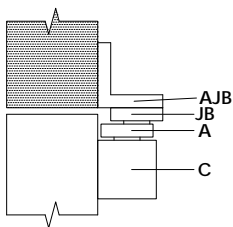
Example 1 - Single Acting Doors

- Jamb bracket mounts on top of soffit (JB)
- Channel mounts to the face of the door (C)
- Standard (Push side)



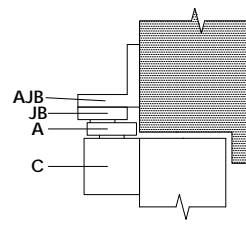
Example 2 - Rabbeted Door (Push Side)

- Angle jamb bracket mounts to the face of the header (AJB)
- Jamb bracket attaches to the angle jamb bracket (JB)
- Channel mounts to the face of the door (C)



Example 3 - Flush Door (Push Side)

- Angle jamb bracket mounts to the face of the header (AJB)
- Jamb bracket attaches to the angle jamb bracket (JB)
- Channel mounts to the face of the door (C)



Example 4 - Pull Side Installation

- Angle jamb bracket mounts to the face of the header (AJB)
- Jamb bracket attaches to the angle jamb bracket (JB)
- Channel mounts to the face of the door (C)

Parts

Fasteners

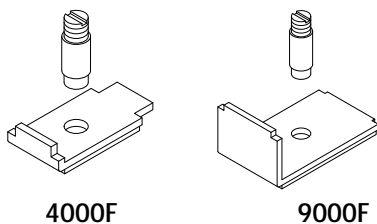
Standard Screw packs for all models are offered:

- **1000-SCR x Finish**– 1000 & 1000SL Series
- **1000A-SCR x Finish**–1000A & 1000SA Series
- **3500-SCR x Finish**– 3500 Series
- **4000-SCR x Finish**– 4000 Series
- **4400-SCR x Finish** – 3300A, 3400 & 4400 Series
- **7000-SCR x Finish** – 7000 Series
- **HD7000-SCR x Finish** – HD7000 Series
- **8000-SCR x Finish** – 8000 Series
- **HD8000-SCR x Finish**– HD8000 Series
- **9000-SCR x Finish** – 9000 & 9000A Series

Friction Conversion Kit

Allows you to change a stop function to a friction

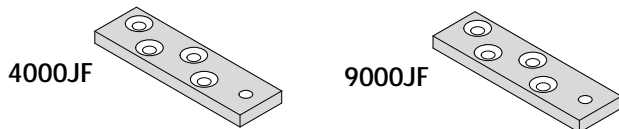
- **4000F-KIT** – 4000, 4400 & 3300A Series
- **9000F-KIT** –1000, 1000A, 9000 & 9000A Series



Jamb Bracket Fillers and/or Shims

Can be used as a shim to drop down an overhead frame heads.

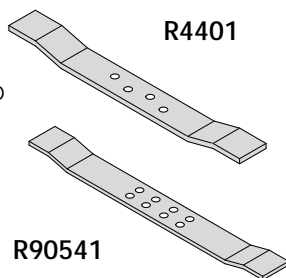
- **4000JF** - 4000, 4400 & 3300A Series (thick)
- **9000JF** - 1000, 1000A, 8000, 9000 & 9000A Series



Frame Reinforcement Bracket

1/8" thick hollow metal frame reinforcements pre-drilled and tapped for ABH concealed jamb brackets:

- **R4401** - 4000 Series
- **R90541** - 1000 & 1000SL Series



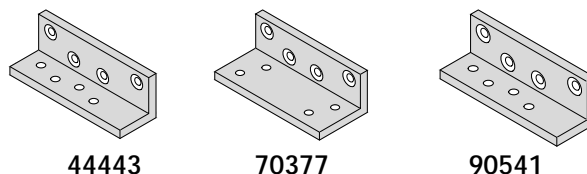
5

Angle Jamb Brackets

Available for surface mount models – converts standard installation to pull side mount or push side flush mount mounting.

Specify finish when ordering.

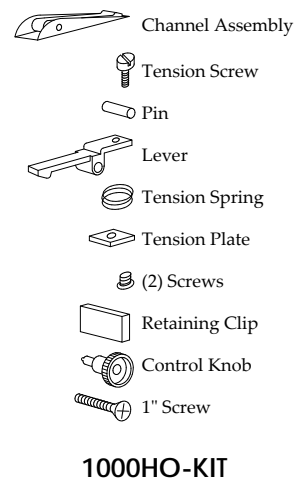
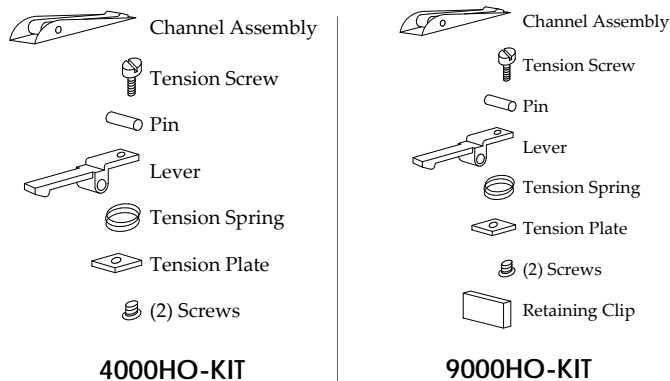
- **44443** – 3300A & 4400 Series
- **70377** – 7000 Series
- **90541** – 8000, 9000 & 9000A Series



Hold open Conversion Kit

Allows you to change a stop function to a hold open

- **1000HO-KIT** - 1000 & 1000A Series
- **4000HO-KIT** - 4000, 4400 & 3300A Series
- **9000HO-KIT** - 9000 & 9000A Series



Overhead Holders & Stops

Options

- “AJB” - Angle Jamb Brackets**
Available for most surface mount models – converts standard installation to pull side mount or push side. They are also available separately, as a part.
 - 44443 – 3300A & 4400 Series
 - 70377 – 7000 Series
 - 90541 – 8000, 9000 & 9000A Series

- “CL” – For Use with Cam Lift Hinges**
Custom unit for use with cam lift hinges (1/2" maximum door lift)

- “HC” – Hold Closed**
Special mechanism is integrated into the overhead stop holding the door closed at 0° and essentially doubling as a roller latch (available for stop function only). Hold-closed mechanism can be disengaged.

- “LL” – Lead Lined**
Lead is provided to cover where mounting holes will pierce lead on lead-lined doors.

- “LS” – Less Spring**
Typically used with a single point electronic door closer, overhead stop is supplied without the shock absorbing spring (stop function only).

- “N” – All Stainless Steel (Non-Ferrous) Components**
Designed for use in wet environments - all stainless steel or non-ferrous components are provided with the unit, including all internal components and screws.

- “SEC” – Security Fasteners**
Security fasteners are provided in lieu of standard fasteners for all exposed mounting holes – specify door and frame material when ordering.

- “SNB” – Sex Bolts**
Sex bolt fasteners are added to 3500 series surface mount model screw pack, as they are not supplied standard.

- “T” – Threaded Pivot Screw and Nylon Washer in Lieu of Jamb Bracket**
Typically used when space is limited in the frame head for installation or when installing a concealed model in an existing frame with minimal field prep.

- “THICK” – Door Thickness other than 1-3/4”**
Custom fasteners will be supplied to accommodate various door thicknesses other than 1-3/4” – specify door thickness.

- “SPECIAL” - Special Layout**
ABH can provide custom units for countless non-standard applications. Click below to open "Special" Form.

Overhead Holder Options-Compatibility												
	Series	AJB	CL	HC	LL	LS	N	SEC	SNB	T	THICK	SPECIAL
		CONCEALED MOUNT	1000			•	•	•	•	•		•
1000A				•	•	•	•	•				•
1000SL					•	•	•	•		•		•
1000SA							•	•				•
CONCEALED MOUNT	4000			•	•		•	•		•		•
	3300A	•	•	•	•	•	•	•		•	•	•
	3400			•	•	•	•	•				•
	3500			•	•	•		•	•			•
	4400	•	•	•	•	•	•	•		•	•	•
	7000	•		•	•		•	•				•
	HD7000			•	•		•	•				•
	8000	•		•	•	•	•	•				•
CONCEALED MOUNT	9000	•	•	•	•	•	•	•		•	•	•
	9000A	•	•	•	•	•	•	•		•	•	•

OVERHEAD HOLDERS & STOPS - SPECIAL LAYOUT

ABH has many SPECIAL layouts that have already been completed. Complete this form and email or fax it to quotes@abhmg.com. A customer service representative will provide you with assistance promptly.

ORDER DATE: _____
 COMPANY NAME: _____
 CUSTOMER NAME: _____
 PHONE: _____
 EMAIL: _____
 JOB NAME: _____

Overhead Holder/Stop Series: _____
 Quantity: _____
 Function: (bold open, stop or friction): _____
 Finish: _____
 Door Frame Opening Size: _____
 Door Material (wood or metal): _____
 Degree of Opening: _____
 Frame Material (wood or metal): _____
 Door Thickness: _____

How is the door hung?
 Butt Hinge Concealed Hinge
 Offset Drive Center Hinge Pivot
 Other

Is there other hardware at the top of the door? no yes
 If yes, please provide information on sheet.

Type	Manufacturer	Model

ABH
 Architectural Builders Hardware Mfg., Inc.
 1222 Ardmore Ave., Itasca, IL 60143
 (630) 875-9900 • FAX (800) 932-9224

Download File from Vehicle
 (700 kb file)
 • 01/2017

SUBMIT

“SPECIAL” PDF FORM TO BE FILLED OUT WHEN ORDERING CUSTOM APPLICATIONS

OVERHEAD HOLDERS & STOPS

Form located in the Overhead Downloads at www.ABHMFG.com. Please download, fill out form and return.



Overhead Holders & Stops - Concealed Mount

1000 Series - Concealed Mount, Heavy Duty

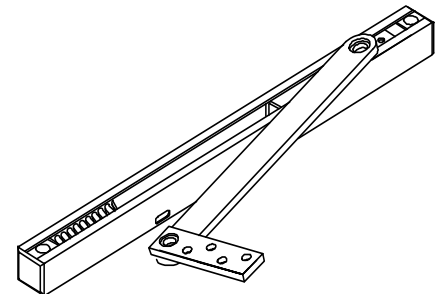


Standard Features

- Concealed Mount
- **Heavy Duty**
- Stop, hold open and friction functions available
- Single or double-acting doors
- Non-handed
- For interior or exterior use on frequent traffic and heavy weight doors
- Standard installation from 85° to 110° of opening (5° increments)
- Shock absorbing spring provides 3° to 5° cushion before dead stop
- 1-3/4" minimum door thickness
- UL Listed as Miscellaneous Fire Door Accessories for use on metal fire doors rated up to 3 hours (stop function only)
- Average weight per unit = 6 lbs.
- **Material: Stainless Steel is the standard base material for arm, channel and jamb bracket for all finishes.**

Specify When Ordering: Model Number, Finish, See page 6 for Option(s) applicable.

1000 Series • Concealed Mount • Heavy Duty	Model Number			Frame Opening Size (Nominal)	
	Hold Open	Stop	Friction	Butt Hinges or Offset Pivots	Center Hung
	1016*	1026*	1036*	18" - 22-15/16"	-
	1017*	1027*	1037*	23" - 26-15/16"	-
	1011*	1021*	1031*	27" - 29-15/16"	30" - 32-15/16"
	1012	1022	1032	30" - 35-15/16"	33" - 38-15/16"
	1013	1023	1033	36" - 39-15/16"	39" - 42-15/16"
	1014	1024	1034	40" - 43-15/16"	43" - 46-15/16"
	1015	1025	1035	44" - 52"	47" - 54"
ANSI Code	C01511	C01541	C01531		



Overhead Holders & Stops - Concealed Mount

1000RA Series - Concealed Mount, Heavy Duty, Adjustable

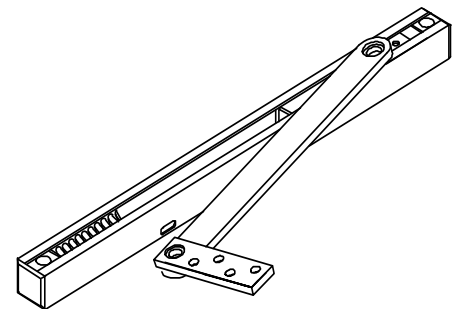


Standard Features

- Concealed Mount
- **Heavy Duty, Adjustable**
- Stop and hold open available
- Single or double-acting doors
- Non-handed
- Degree of opening is fully adjustable after installation for any application need.
- For interior or exterior use on frequent traffic and heavy weight doors
- Standard installation from 85° to 110° of opening (5° increments)
- Shock absorbing spring provides 3° to 5° cushion before dead stop
- 1-3/4" minimum door thickness
- UL Listed as Miscellaneous Fire Door Accessories for use on metal fire doors rated up to 3 hours (stop function only)
- Average weight per unit = 6 lbs.
- **Material: Stainless Steel is the standard base material for arm, channel and jamb bracket for all finishes.**

Specify When Ordering: Model Number, Finish, See page 6 for Option(s) applicable.

1000RA Series • Concealed Mount • Heavy Duty • Adjustable	Model Number			Frame Opening Size (Nominal)	
	Hold Open	Stop	Friction	Butt Hinges or Offset Pivots	Center Hung
	1012RA	1022RA	1032RA	24" - 32"	-
	1013RA	1023RA	1033RA	32-1/16" - 40"	32-1/16" - 40"
	1014RA	1024RA	1034RA	40-1/16" - 48"	40-1/16" - 48"
ANSI Code	C01511	C01541	C01531		



Overhead Holders & Stops - Concealed Mount

■ 1000A Series - Concealed Mount, Heavy Duty, Adjustable

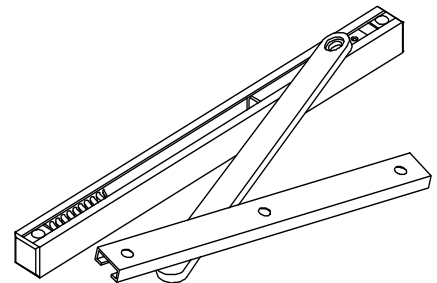


■ Standard Features

- Concealed Mount
- **Heavy Duty, Adjustable**
- Stop, hold open and friction functions available
- Single or double-acting doors
- Non-handed
- For interior or exterior use on frequent traffic and heavy weight doors
- Degree of opening is field adjustable 85° to 110° (5° increments)
- Shock absorbing spring provides 3° to 5° cushion before dead stop
- 1-3/4" minimum door thickness
- UL Listed as Miscellaneous Fire Door Accessories for use on metal fire doors rated up to 3 hours (stop function only)
- Average weight per unit = 6 lbs.
- **Material: Stainless Steel is the standard base material for arm, channel and jamb bracket for all finishes.**

Specify When Ordering: Model Number, Finish, See page 6 for Option(s) applicable.

1000A Concealed Mount • Heavy Duty • Adjustable	Model Number			Frame Opening Size (Nominal)
	Hold Open	Stop	Friction	Butt Hinges or Offset Pivots
	1011A*	1021A*	1031A*	27" - 29-15/16"
	1012A	1022A	1032A	30" - 35-15/16"
	1013A	1023A	1033A	36" - 39-15/16"
	1014A	1024A	1034A	40" - 43-15/16"
	1015A	1025A	1035A	44" - 52"
ANSI Code	C01511	C01541	C01531	



Overhead Holders & Stops - Concealed Mount

1000SL Series - Concealed Mount, Heavy Duty, Slim Line

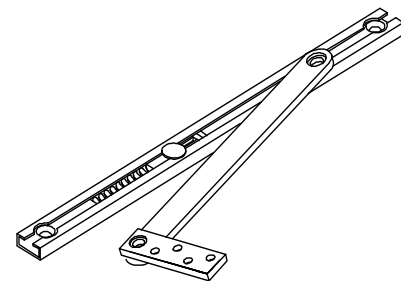


Standard Features

- Concealed Mount
- **Heavy Duty, Slim Line**
- Stop or hold open functions available
- Slim line channel designed for aluminum store front doors
- Single or double-acting doors
- Non-handed
- For interior or exterior use on frequent traffic and heavy weight doors
- Standard installation from 85° to 110° of opening (5° increments)
- Shock absorbing spring provides 3° to 5° cushion before dead stop
- 1-3/4" minimum door thickness
- UL Listed as Miscellaneous Fire Door Accessories for use on metal fire doors rated up to 3 hours (stop function only)
- Average weight per unit = 5 lbs.
- **Material: Stainless Steel is the standard base material for arm, channel and jamb bracket for all finishes.**

Specify When Ordering: Model Number, Finish, See page 6 for Option(s) applicable.

1000SL Series • Concealed Mount • Heavy Duty • Slim Line	Model Number		Frame Opening Size (Nominal)	
	Hold Open	Stop	Butt Hinges or Offset Pivots	Center Hung
	1011SL*	1021SL*	27" - 29-15/16"	30" - 32-15/16"
	1012SL*	1022SL*	30" - 35-15/16"	33" - 38-15/16"
	1013SL	1023SL	36" - 39-15/16"	39" - 42-15/16"
	1014SL	1024SL	40" - 43-15/16"	43" - 46-15/16"
	1015SL	1025SL	44" - 52"	47" - 54"
ANSI Code	C01511	C01541		



Overhead Holders & Stops - Concealed Mount

1000SA Series - Concealed Mount, Heavy Duty, Slim Line, Adjustable

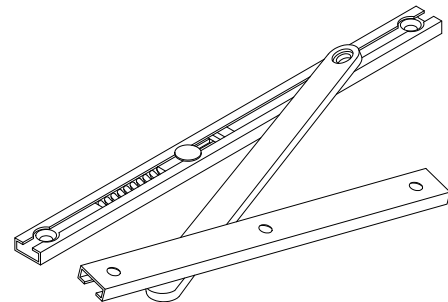


Standard Features

- Concealed Mount
- **Heavy Duty, Slim Line, Adjustable**
- Slim line channel designed for aluminum store front doors
- Stop and hold open functions available
- Single or double-acting doors
- Non-handed
- For interior or exterior use on frequent traffic and heavy weight doors
- Degree of opening is field adjustable after installation from 85° to 110° of opening (5° increments)
- Shock absorbing spring provides 3° to 5° cushion before dead stop
- 1-3/4" minimum door thickness
- UL Listed as Miscellaneous Fire Door Accessories for use on metal fire doors rated up to 3 hours (stop function only)
- Average weight per unit = 6 lbs.
- **Material: Stainless Steel is the standard base material for arm, channel and jamb bracket for all finishes.**

Specify When Ordering: Model Number, Finish, See page 6 for Option(s) applicable.

4000 Series • Concealed Mount • Heavy Duty • Slim Line • Adjustable	Model Number		Frame Opening Size (Nominal)
	Hold Open	Stop	Butt Hinges or Offset Pivots
	1011SA*	1021SA*	27" - 29-15/16"
	1012SA	1022SA	30" - 35-15/16"
	1013SA	1023SA	36" - 39-15/16"
	1014SA	1024SA	40" - 43-15/16"
	1015SA	1025SA	44" - 52"
ANSI Code	C01511	C01541	



Overhead Holders & Stops

Overhead Holders & Stops - Concealed Mount

4000 Series - Concealed Mount, Medium Duty



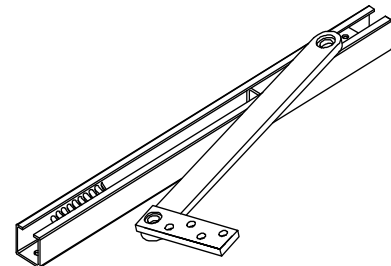
Standard Features

- Concealed Mount
- **Heavy Duty**
- Slim line channel designed for aluminum store front doors
- Stop and hold open functions available
- Single or double-acting doors
- Non-handed
- For interior or exterior use on frequent traffic and heavy weight doors
- Shock absorbing spring provides 3° to 5° cushion before dead stop
- 1-3/4" minimum door thickness
- UL Listed as Miscellaneous Fire Door Accessories for use on metal fire doors rated up to 3 hours (stop function only)
- Average weight per unit = 6 lbs.
- **Material: Stainless Steel is the standard base material for arm, channel and jamb bracket for all finishes.**

Specify When Ordering: Model Number, Finish, See page 6 for Option(s) applicable.

4000 Series • Concealed Mount • Heavy Duty	Model Number			Frame Opening Size (Nominal)
	Hold Open	Stop	Friction	Butt Hinges or Offset Pivots
	1011	1021	1031	18" - 23-15/16" *
	1012	1022	1032	24" - 29-15/16"
	1013	1023	1033	30" - 35-15/16"
	1014	1024	1034	36" - 48-15/16"
ANSI Code	C01511	C01541	C04531	

* Butt Hinges only for this size



Overhead Holders & Stops - Concealed Mount

■ 4000RA Series - Concealed Mount, Medium Duty, Adjustable

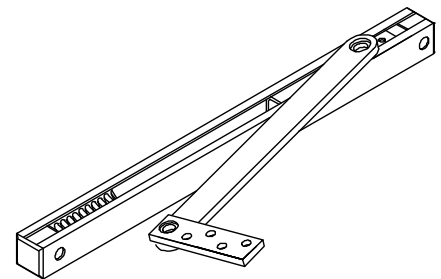


■ Standard Features

- Concealed Mount
- **Medium Duty, Adjustable**
- Slim line channel designed for aluminum store front doors
- Stop and hold open functions available
- Single or double-acting doors
- Non-handed
- For interior or exterior use on frequent traffic and heavy weight doors
- Degree of opening is fully adjustable after installation for any application need.
- Shock absorbing spring provides 3° to 5° cushion before dead stop
- 1-3/4" minimum door thickness
- UL Listed as Miscellaneous Fire Door Accessories for use on metal fire doors rated up to 3 hours (stop function only)
- Average weight per unit = 6 lbs.
- **Material: Stainless Steel is the standard base material for arm, channel and jamb bracket for all finishes.**

Specify When Ordering: Model Number, Finish, See page 6 for Option(s) applicable.

4400RA Series • Surface Mount • Medium Duty • Adjustable	Model Number			Frame Opening Size (Nominal)	
	Hold Open	Stop	Friction	Butt Hinges or Offset Pivots	Center Hung
	4411RA*	4421RA*	4431RA*	18" - 24"	21" - 26-1/2"
	4412RA	4422RA	4432RA	24"-1/16" - 30"	26-9/16" - 32"
	4413RA	4423RA	4433RA	30-1/16" - 36"	32-1/16" - 38"
	4414RA	4424RA	4434RA	36-1/16" - 42"	38-1/16" - 45"
	4415RA	4425RA	4435RA	42-1/16" - 48"	45-1/16" - 48"
ANSI Code	C04511	C04541	C04531		



Overhead Holders & Stops - Surface Mount

■ 3300A Series - Surface Mount, Medium Duty, Adjustable

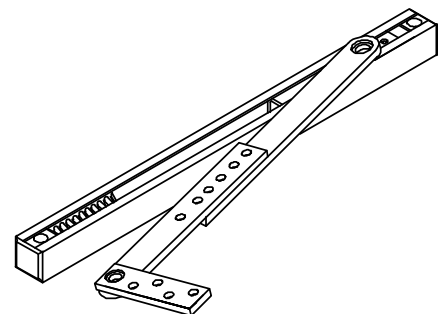


■ Standard Features

- Surface Mount
- **Medium Duty, Adjustable**
- Stop and hold open functions available
- Single acting doors only
- Non-handed
- For interior or exterior use on moderate traffic and medium weight doors
- Degree of opening is field adjustable after installation from 85° to 110° of opening (5° increments)
- Shock absorbing spring provides 3° to 5° cushion before dead stop
- Standard fasteners supplied with sex bolts for 1-3/4" - 1-7/8" thick door (see options for other door thicknesses).
- UL Listed as Miscellaneous Fire Door Accessories for use on metal fire doors rated up to 3 hours (stop function only)
- Average weight per unit = 3 lbs.
- **Material: Stainless Steel is the standard base material for arm, channel and jamb bracket for all finishes.**

Specify When Ordering: Model Number, Finish, See page 6 for Option(s) applicable.

3300A Series • Surface Mount • Medium Duty • Adjustable	Model Number			Frame Opening Size (Nominal)
	Hold Open	Stop	Friction	Butt Hinges or Offset Pivots
	3311A	3321A	3331A	24" - 29-15/16"
	3312A	3322A	3332A	30" - 35-15/16"
	3313A	3323A	3333A	36" - 42"
ANSI Code	C05511	C05541	C05531	



Overhead Holders & Stops - Surface Mount

■ 3400 Series - Surface Mount, Medium Duty, Slide Jamb Mount

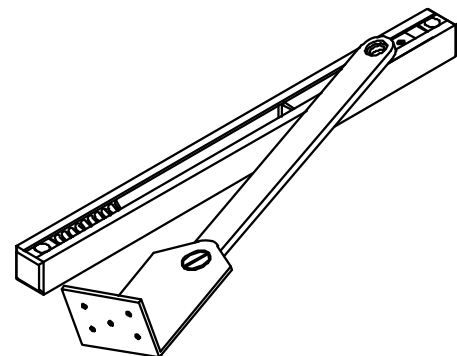


■ Standard Features

- Surface Mount
- **Medium Duty**
- Side jamb mount for doors that do not extend to frame header
- Ideal for dressing room and washroom stall doors with frames
- Stop, hold open and friction functions available
- Single acting doors only
- Non-handed
- Standard installation from 90° - 100° of opening (5° increments)
- Shock absorbing spring provides 3°-5° cushion before deadstop
- Standard fasteners supplied for 1-3/4" to 1-7/8" thick door (see options for other door thicknesses)
- Average weight per unit = 3 lbs.
- **Material: Stainless Steel is the standard base material for arm, channel and jamb bracket for all finishes.**

Specify When Ordering: Model Number, Handing, Finish, See page 6 for Option(s) applicable.

3400 Series • Surface Mount • Medium Duty • Side Jamb Mount	Model Number			Frame Opening Size (Nominal)
	Hold Open	Stop	Friction	Butt Hinges or Offset Pivots
	3414	3424	3434	24" - 36"
ANSI Code				



Overhead Holders & Stops - Surface Mount

■ 3500 Series - Surface Mount, Parallel Arm Holder, Handed

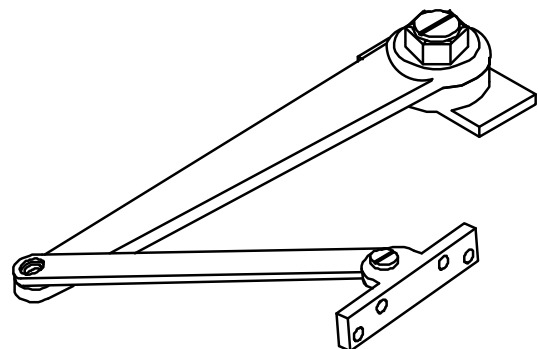


■ Standard Features

- Concealed Mount
- **Heavy Duty**
- Adjustable hold open position from 135° to 180°
- Single or double-acting doors
- For use on the inactive leaf of a pair of doors where a door closer is installed on the active leaf
- For interior or exterior use on frequent traffic and heavy weight doors
- For door openings 24" - 36"
- **Units are handed - specify when ordering**
- Standard fasteners supplied for 1-3/4" to 1-7/8" thick door (see options for other door thicknesses)
- Average weight per unit = 6 lbs.
- **Material: Stainless Steel is the standard base material for arm, channel and jamb bracket for all finishes.**

Specify When Ordering: Model Number, Handing, Finish, See page 6 for Option(s) applicable.

3500 Series • Surface Mount • Handed	Model Number	Frame Opening Size (Nominal)
		180° Parallel Arm Holder
	3500L	24" - 36"
	3500R	24" - 36"



Overhead Holders & Stops - Surface Mount

4400 Series - Surface Mount, Medium Duty

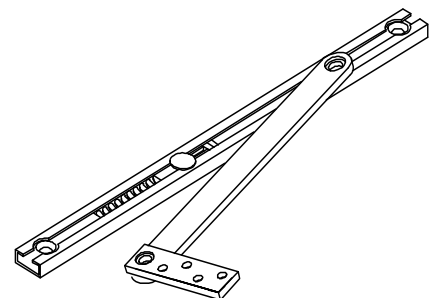


Standard Features

- Surface Mount
- **Medium Duty**
- Stop and hold open functions available
- Single or double-acting doors
- Non-handed
- For interior use on moderate traffic and medium weight doors
- Standard installation from 85° to 110° of opening (5° increments)
- Shock absorbing spring provides 3° to 5° cushion before dead stop
- Standard fasteners supplied with sex bolts for 1-3/4" to 1-7/8" thick door (see options for other door thicknesses)
- UL Listed as Miscellaneous Fire Door Accessories for use on metal fire doors rated up to 3 hours (stop function only)
- Average weight per unit = 2 lbs.
- **Material: Stainless Steel is the standard base material for arm, channel and jamb bracket for all finishes.**

Specify When Ordering: Model Number, Finish, See page 6 for Option(s) applicable.

4400 Series • Surface Mount • Medium Duty	Model Number			Frame Opening Size (Nominal)	
	Hold Open	Stop	Friction	Butt Hinges or Offset Pivots	Center Hung
	4411	4421	4431	18" - 23-15/16"	22" - 27-7/16"
	4412	4422	4432	24" - 29-15/16"	27-1/2" - 33-7/16"
	4413	4423	4433	30" - 35-15/16"	33-1/2" - 38-15/16"
4414	4424	4434	36" - 48"	39" - 48"	
ANSI Code	C05511	C05541	C05531		



Overhead Holders & Stops - Surface Mount

■ 4400RA Series - Surface Mount, Medium Duty, Adjustable

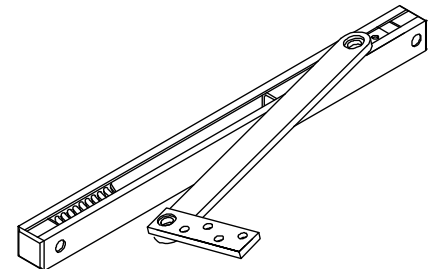


■ Standard Features

- Surface Mount
- **Medium Duty, Adjustable**
- Stop and hold open functions available
- Single or double-acting doors
- Non-handed
- For interior use on moderate traffic and medium weight doors
- Standard installation from 85° to 110° of opening (5° increments)
- Degree of opening is fully adjustable after installation for any application need.
- Shock absorbing spring provides 3° to 5° cushion before dead stop
- Standard fasteners supplied with sex bolts for 1-3/4" to 1-7/8" thick door (see options for other door thicknesses)
- UL Listed as Miscellaneous Fire Door Accessories for use on metal fire doors rated up to 3 hours (stop function only)
- Average weight per unit = 2 lbs.
- **Material: Stainless Steel is the standard base material for arm, channel and jamb bracket for all finishes.**

Specify When Ordering: Model Number, Finish, See page 6 for Option(s) applicable.

4400RA Series • Surface Mount • Medium Duty • Adjustable	Model Number			Frame Opening Size (Nominal)	
	Hold Open	Stop	Friction	Butt Hinges or Offset Pivots	Center Hung
	4411RA*	4421RA*	4431RA*	18" - 24"	21" - 26-1/2"
	4412RA	4422RA	4432RA	24"-1/16" - 30"	26-9/16" - 32"
	4413RA	4423RA	4433RA	30-1/16" - 36"	32-1/16" - 38"
	4414RA	4424RA	4434RA	36-1/16" - 42"	38-1/16" - 45"
	4415RA	4425RA	4435RA	42-1/16" - 48"	45-1/16" - 48"
ANSI Code	C05511	C05541	C05531		



Overhead Holders & Stops - Surface Mount

7000 Series - Surface Mount, Heavy Duty

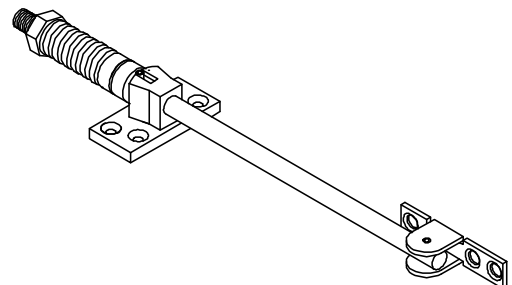


Standard Features

- Surface Mount
- **Heavy Duty**
- Stop and hold open functions available
- Single or double-acting doors
- Non-handed
- For interior or exterior use on frequent traffic and heavy weight doors
- Standard installation from 85° to 110° of opening (5° increments)
- Shock absorbing spring provides 3° to 5° cushion before dead stop
- Standard fasteners supplied with sex bolts for 1-3/4" to 2" thick door (see options for other door thicknesses)
- UL Listed as Miscellaneous Fire Door Accessories for use on metal fire doors rated up to 3 hours (stop function only)
- Average weight per unit = 3 lbs.
- **Material: Stainless Steel is the standard base material for arm, channel and jamb bracket for all finishes.**

Specify When Ordering: Model Number, Finish, See page 6 for Option(s) applicable.

7000 Series** • Surface Mount • Heavy Duty	Model Number		Frame Opening Size (Nominal)	
	Hold Open	Stop	Butt Hinges or Offset Pivots	Center Hung
	7010	7020	23" - 28-15/16"	24" - 31-15/16"
	7011	7021	29" - 34-15/16"	32" - 38-7/16"
	7012	7022	35" - 40-15/16"	38-1/2" - 44-3/16"
	7013	7023	41" - 46-15/16"	44-1/4" - 50-3/16"
	7014	7024	47" - 54"	50-1/4" - 60"
ANSI CODE	C08511	C08541		



Overhead Holders & Stops - Surface Mount

■ HD7000 Series - Surface Mount, Extra Heavy Duty

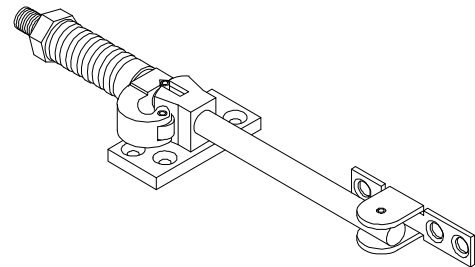


■ Standard Features

- Surface Mount
- **Extra Heavy Duty - used in correctional institutions and bank vault door applications**
- Stop and hold open functions available
- Single acting doors only
- Non-handed
- For interior use on frequent traffic and extra heavy weight doors
- Standard installation from 85° to 110° of opening (5° increments)
- Shock absorbing spring provides 3° to 5° cushion before dead stop
- Standard fasteners supplied with sex bolts for 1-3/4" to 2" thick door (see options for other door thicknesses)
- UL Listed as Miscellaneous Fire Door Accessories for use on metal fire doors rated up to 3 hours (stop function only)
- Average weight per unit = 10 lbs.
- **Material: Plated cold rolled steel is the base material for all painted finishes.**

Specify When Ordering: Model Number, Finish, See page 6 for Option(s) applicable.

HD7000 Series • Surface Mount • Extra Heavy Duty	Model Number		Frame Opening Size (Nominal)	
	Hold Open	Stop	Butt Hinges or Offset Pivots	Center Hung
Bar always supplied cad plated (silver), except for "N" Series (stainless steel)	HD7010	HD7020	24" - 29-15/16"	26" - 31-15/16"
	HD7011	HD7021	30" - 35-15/16"	32" - 38-15/16"
	HD7012	HD7022	36" - 39-15/16"	39" - 42-15/16"
	HD7013	HD7023	40" - 47-15/16"	43" - 50-15/16"
	HD7014	HD7024	48" - 54"	51" - 60"
ANSI CODE	C08511	C08541		



Overhead Holders & Stops - Surface Mount

8000 Series - Surface Mount, Extra Heavy Duty

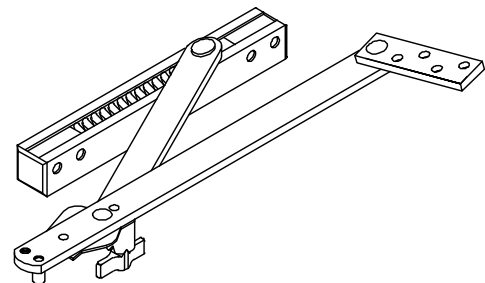


Standard Features

- Surface Mount
- **Extra Heavy Duty**
- NY SCA Approved
- Stop and hold open functions available
- Single acting doors only
- Non-handed
- For interior or exterior use on frequent traffic and heavy weight doors
- Standard installation from 85° to 110° of opening (5° increments)
- Shock absorbing spring provides 3° to 5° cushion before dead stop
- Standard fasteners supplied with sex bolts for 1-3/4" to 2-1/4" thick door (see options for other door thicknesses)
- UL Listed as Miscellaneous Fire Door Accessories for use on metal fire doors rated up to 3 hours (stop function only)
- Average weight per unit = 5 lbs.
- **Material: Stainless Steel is the standard base material for arm, channel and jamb bracket for all finishes.**

Specify When Ordering: Model Number, Finish, See page 6 for Option(s) applicable.

8000 Series • Surface Mount • Extra Heavy Duty	Model Number		Frame Opening Size (Nominal)	
	Hold Open	Stop	Butt Hinges or Offset Pivots	Center Hung
	8010	8020	27" - 32-7/16"	29" - 34-15/16"
	8011	8021	32-1/2" - 38-11/16"	35" - 41-7/16"
	8012	8022	38-3/4" - 42-7/16"	41-1/2" - 44-15/16"
	8013	8023	42-1/2" - 54"	45" - 56"
ANSI Code	C03511	C03541		



Overhead Holders & Stops

Overhead Holders & Stops - Surface Mount

9000 Series - Surface Mount, Heavy Duty

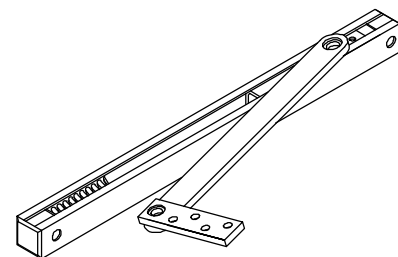


Standard Features

- Surface Mount
- **Heavy Duty**
- Stop and hold open functions available
- Single acting doors only
- Non-handed
- For interior or exterior use on frequent traffic and heavy weight doors
- Standard installation from 85° to 110° of opening (5° increments)
- Shock absorbing spring provides 3° to 5° cushion before dead stop
- Standard fasteners supplied with sex bolts for 1-3/4" to 2-1/4" thick door (see options for other door thicknesses)
- UL Listed as Miscellaneous Fire Door Accessories for use on metal fire doors rated up to 3 hours (stop function only)
- Average weight per unit = 5 lbs.
- **Material: Stainless Steel is the standard base material for arm, channel and jamb bracket for all finishes.**

Specify When Ordering: Model Number, Finish, See page 6 for Option(s) applicable.

9000 Series**		Model Number		Frame Opening Size (Nominal)		
• Surface Mount • Heavy Duty		Hold Open	Stop	Friction	Butt Hinges or Offset Pivots	Center Hung
	9018	9028	9038	24" - 27-15/16"	26" - 29-15/16"	
	9011	9021	9031	28" - 29-15/16"	30" - 33-15/16"	
	9012	9022	9032	30" - 31-15/16"	34" - 35-15/16"	
	9013	9023	9033	32" - 35-15/16"	36" - 38-15/16"	
	9014	9024	9034	36" - 39-15/16"	39" - 40-15/16"	
	9015	9025	9035	40" - 41-15/16"	41" - 44-15/16"	
	9016	9026	9036	42" - 43-15/16"	45" - 46-15/16"	
	9017	9027	9037	44" - 54"	47" - 56"	
ANSI Code	C02511	C02541	C02531			



Overhead Holders & Stops - Surface Mount

9000RA Series - Surface Mount, Heavy Duty, Adjustable

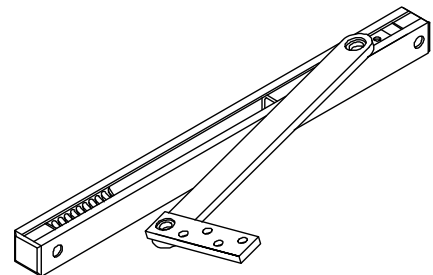


Standard Features

- Surface Mount
- **Heavy Duty, Adjustable**
- Stop and hold open functions available
- Single acting doors only
- Non-handed
- For interior or exterior use on frequent traffic and heavy weight doors
- Standard installation from 85° to 110° of opening (5° increments)
- Degree of opening is fully adjustable after installation for any application need.
- Shock absorbing spring provides 3° to 5° cushion before dead stop
- Standard fasteners supplied with sex bolts for 1-3/4" to 2-1/4" thick door (see options for other door thicknesses)
- UL Listed as Miscellaneous Fire Door Accessories for use on metal fire doors rated up to 3 hours (stop function only)
- Average weight per unit = 5 lbs.
- **Material: Stainless Steel is the standard base material for arm, channel and jamb bracket for all finishes.**

Specify When Ordering: Model Number, Finish, See page 6 for Option(s) applicable.

9000RA Series • Surface Mount • Heavy Duty • Adjustable	Model Number		Frame Opening Size (Nominal)		
	Hold Open	Stop	Friction	Butt Hinges or Offset Pivots	Center Hung
	9013RA*	9023RA*	-	24" - 32"	-
	9014RA	9024RA	-	32-1/16" - 40"	32-1/16" - 40"
	9015RA	9025RA	-	40-1/16" - 48"	40-1/16" - 48"
ANSI Code	C02511	C02541			



Overhead Holders & Stops - Surface Mount

9000A Series - Surface Mount, Heavy Duty, Adjustable

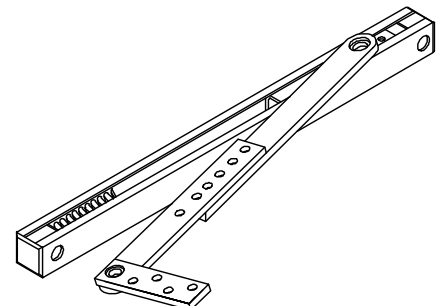


Standard Features

- Surface Mount
- **Heavy Duty, Adjustable**
- Stop and hold open functions available
- Single acting doors only
- Non-handed
- For interior or exterior use on frequent traffic and heavy weight doors
- Degree of opening is field adjustable after installation from 85° to 110° of opening (5° increments)
- Shock absorbing spring provides 3° to 5° cushion before dead stop
- Standard fasteners supplied with sex bolts for 1-3/4" to 2-1/4" thick door (see options for other door thicknesses)
- UL Listed as Miscellaneous Fire Door Accessories for use on metal fire doors rated up to 3 hours (stop function only)
- Average weight per unit = 6 lbs.
- **Material: Stainless Steel is the standard base material for arm, channel and jamb bracket for all finishes.**

Specify When Ordering: Model Number, Finish, See page 6 for Option(s) applicable.

9000A Series • Surface Mount • Heavy Duty • Adjustable	Model Number			Frame Opening Size (Nominal)
	Hold Open	Stop	Friction	Butt Hinges or Offset Pivots
	9011A	9021A	9031A	28" - 31-15/16"
	9012A	9022A	9032A	32" - 39-15/16"
	9013A	9023A	9033A	40" - 43-15/16"
	9014A	9024A	9034A	44" - 54"
ANSI Code	C02511	C02541	C02531	



CONTACT US

ORDERS

orders@abhmfg.com

Send all Purchase Orders or questions regarding existing orders.

QUOTES

quotes@abhmfg.com

Send all Quote Request or questions regarding existing quotes.

ACCOUNTS RECEIVABLES

ar@abhmfg.com

Send all questions regarding invoices, statements, credit issues or RMA requests.

CUSTOMER SERVICE

cs@abhmfg.com

Send all customer service related requests.

If you have any other questions regarding ABH products, please call 630-875-9900.



Architectural Builders Hardware Manufacturing, Inc.
1222 Ardmore Avenue, Itasca, IL 60143
630-875-9900 • (800) 932-9224
www.abhmfg.com





Manufacturing, Inc.



- Overhead Holders & Stops
- Electro-Magnetic Door Holders
- Electrical Power Transfer Products
- Aluminum Continuous Geared Hinges
- Stainless Steel Continuous Pin & Barrel Hinges
- Stainless Steel Edge Guards
- Pivots & Pivot Sets
- Rescue Hardware
- Coordinators, Flush Bolts & Roller Latches
- Slide Bolts, Surface Bolts & Miscellaneous Products

Hospital Push/Pull Latches

Hospital Push/Pull Latches

Type	ABH*	GJ*	ASSA Abloy*			Trimco*
			Rockwood*	Sargent*	Corbin Russwin*	
Cylindrical Latch	6000**	HL6	596	-	-	-
	6800**	-	-	114 115	-	1562
	LR6000	-	-	HPU15 ALP	HP3010 HPSK	-
	6000PL 6000PS	HL6-EO	-	-	-	-
	6800PL 6800PS	-	-	-	-	1562AE
	6100	-	-	-	-	-
	6200	-	-	-	-	-
	6400	PL7				
	6500	PL8	-	-	-	-
	6830	-	-	-	-	1591
Trim with Mortise Lock Body	6600	HL6-9000	-	7800 PT	-	1562 M55 1562 Q55
	LR6600	-	-	8200 ALP	-	-
Trim Only for Other Manufacturers' Mortise Lock Body	6700	-	-	-	-	-
	LR6700	-	-	-	-	-

*Brand names are trademarks or registered trademarks of their respective companies.

Table of Contents

General Information	C-2
Options	C-3
Engraving Options.....	C-5
Parts.....	C-6
Push/Pull Trim with Cylindrical Latches	
6000 Series	C-7
LR6000 Series	C-8
6100 Series	C-9
6200 Series	C-10
6400 Series	C-12
6500 Series	C-12
6800 Series	C-13
6830 Series	C-14
Push/Pull Trim with Mortise Lock Body	
6600 Series	C-15
LR6600 Series	C-16
Mortise Lock Body Functions	C-17
Push/Pull Trim Only for use with other Manufacturers' Mortise Lock (Mortise Lock Body Not Included)	
6700 Series	C-19
LR6700 Series	C-20



General Information

Cylindrical Latch

Also known as a tubular latch, these are available in both passage and privacy functions with many different aesthetic trims.

Mortise Lock Body

These units are supplied with a mortise lock body in a multitude of functions (cylinder and cam not included). See pages C-17 and C-18 for details.

Push/Pull Trim Only for Mortise Lock Body

These are great for retrofit applications! ABH custom manufactures hospital push/pull trim to work with other manufacturers' mortise lock bodies (ABH does not supply the mortise lock body). These units require completion of a special order form found online at www.abhmfg.com or by sending in a sample mortise lock body being used to ensure proper function.

Standard Features

- Meets and/or exceeds ANSI 156.26, Grade 1
- Stainless steel base material used for all covers and handles

Standard Finishes

ABH Finish	Description
US32D	Satin Stainless Steel
US10	Satin Bronze
US10B	Dark Bronze
US4	Satin Brass
US32	Bright Stainless Steel
US3	Bright Brass
US26D	Satin Chrome Plated
US26	Bright Chrome Plated



Clockwise from top left:
6000-RC-Custom Engraving
LR6000-Custom Engraving
6800-RC-Custom Engraving
6200-B



Options

Hospital Push/Pull Latch Options - Compatibility Chart																			
Type	Series	AM	L	PL	PS	H	EX	X	J	RC	SEC	THICK	EL	EU	RX	AB	PLA	PSA	P
Cylindrical Latches	6000	•	•	•	•	•	•	•	•	•	•	•							•
	LR6000	•	•	•	•						•	•							•
	6100	•	•	•	•	•	•	•	•	•	•	•							•
	6200	•	•			•	•	•	•	•	STD	•				•	•	•	•
	6400	•	•			•	•	•			•								•
	6500	•	•			•	•	•			•								•
	6800	•	•	•	•	•	•	•			•	•	•						•
	6830	•	•			•	•	•			•	•	•						•
Mortise Lock Body	6600	•	•	•	•	•	•	•	•	•	•	•	•	•	•	•	•	•	•
	LR6600	•	•	•	•						•	•	•	•					•
Trim Only for Mortise Lock Body	6700	•		•	•	•	•	•	•	•	•	•				•	•	•	•
	LR6700	•		•	•						•	•							•



"H" Hip Paddle

"H" - Hip Paddle

An oversized hip paddle is added to a modified push side handle assembly to allow a person a more "hands-free" approach to opening the door using their hip. (Not field adaptable to existing units.)

"AM" - Anti-Microbial Coating

Anti-Microbial coating is applied to the covers and handles to help prevent growth of bacteria.

"L" - Lead-Lined

Lead is provided to cover where mounting holes will pierce lead on lead-lined doors.

"PL" - Entrance Only

For applications when only the pull side of the door is used to operate the door. Flat trim plate is provided on the push side and standard pull trim is provided on the pull side.

"PS" - Exit Only

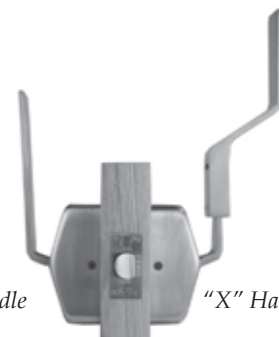
For applications when only the push side of the door is used to operate the door. Flat trim plate is provided on the pull side and standard push trim is provided on the push side.



"PS" Exit Only

"EX" - Extended Handle

6" Extended handle is provided in lieu of the standard 4-1/4" long handle to allow a person a more "hands-free" operation of the door using the crook of their arm. Specify push or pull handle.



"EX" Handle

"X" Handle

"X" - Slip-On Handle Extension

Aluminum handle extension is field-installed using set screws provided. Adaptable to both the push and pull side handles, extension allows for a more "hands-free" operation of the door using the crook of their arm.



Options



"B" Round Asylum Trim

"SEC" - Security Fasteners

Security fasteners are provided for all exposed fasteners.

"AB" - Asylum Trim on Both Sides

Asylum trim is provided on both sides of the door in lieu of standard hospital push/pull trim.

Specify asylum trim type:

- "B" Round Asylum Trim
- "C" Angled Asylum Trim
- "FM" Flush Mount Asylum Trim

"RX" - Request to Exit

Available for some electrified mortise locks (see C-18 for details).

"EL" - Electronically Locked

Available for some mortise lock bodies - Fail Safe (see C-18 for details).

"EU" - Electronically Unlocked

Available for some mortise lock bodies - Fail Secure (see C-18 for details).



"C" Angled Asylum Trim

"PLA" - Asylum Trim on Push Side

Asylum trim is provided on push side of the door and standard pull trim is provided on the pull side.

Specify asylum trim type:

- "B" Round Asylum Trim
- "C" Angled Asylum Trim
- "FM" Flush Mount Asylum Trim

"J" - Junior Cover

3-1/2" x 2-3/4" compact covers are supplied in lieu of the 4-1/2" x 2-3/4" standard covers. Ideal for use on mortise lock applications when mounting trim vertically and using a thumb turn to allow for more clearance between cover and thumb turn.

"PSA" - Asylum Trim on Pull Side

Asylum trim is provided on pull side of the door and standard push trim is provided on the pull side.

Specify asylum trim type:

- "B" Round Asylum Trim
- "C" Angled Asylum Trim
- "FM" Flush Mount Asylum Trim

"RC" - Round Cover

Provides a more sleek and ligature-resistant look in lieu of the standard covers.



"FM" Flush Mount Asylum Trim

"THICK" - Special Door Thickness

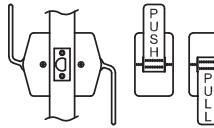

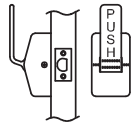
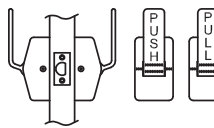

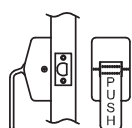
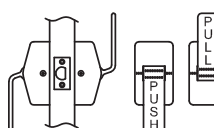

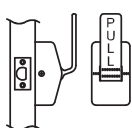
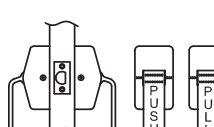

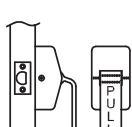
For door thicknesses less than or greater than the standard 1-3/4", unit will be supplied with custom shafts and mounting screws. Specify door thickness (mortise lock applications have a minimum of 1-3/4" door thickness).



"6000-RC" Round Cover



Engraving Options

Option Code	Mounting Position	Option Code	Mounting Position	Option Code	Mounting Position
P1		P5	<ul style="list-style-type: none"> • Handles pointing hinge-side • Right Hand 	P9	<ul style="list-style-type: none"> • Push Up • Single Handle Only 
P2		P6	<ul style="list-style-type: none"> • Handles pointing hinge-side • Left Hand 	P10	<ul style="list-style-type: none"> • Push Down • Single Handle Only 
P3		P7	<ul style="list-style-type: none"> • Handles pointing lock-side • Right Hand • 7" backset only 	P11	<ul style="list-style-type: none"> • Pull Up • Single Handle Only 
P4		P8	<ul style="list-style-type: none"> • Handles pointing lock-side • Left Hand • 7" backset only 	P12	<ul style="list-style-type: none"> • Pull Down • Single Handle Only 



ABH offers a wide variety of custom engraving options. Contact the factory to see the latest innovations offered for healthcare, education and other institutions.

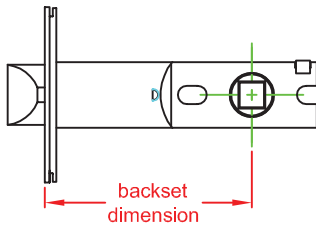


Parts

Cylindrical Latches

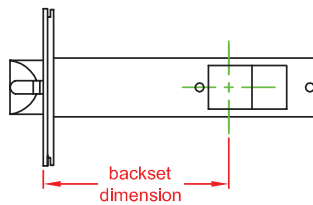
For 6000, 6100, 6200, 6400,
6500 & LR6000 Series:

- 6275 - 2-3/4" backset
- 6375 - 3-3/4" backset
- 6050 - 5" backset
- 6070 - 7" backset



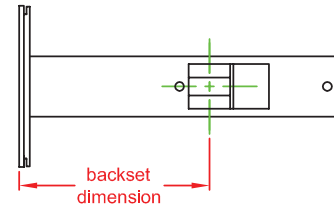
For 6800
Low Profile Series:

- 68275 - 2-3/4" backset
- 68375 - 3-3/4" backset
- 68050 - 5" backset
- 68070 - 7" backset



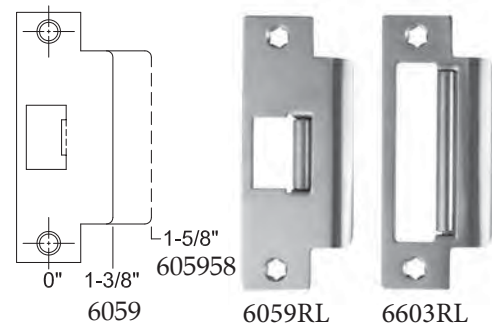
For 6830 Low Profile
Reverse Series:

- 683275 - 2-3/4" backset
- 683375 - 3-3/4" backset
- 683050 - 5" backset
- 683070 - 7" backset



Strikes

- 6055 - 2-1/4" Full Lip D-Strike
- 6058 - 2-3/4" Standard T-Strike
- 605858 - 2-3/4" T-Strike with 1-5/8" Extended Lip
- 6059 - 4-7/8" ASA Strike with 1-3/8" Standard Lip
- 605958 - 4-7/8" ASA Strike Lip with 1-5/8" Extended Lip
- 6603 - 4-7/8" ASA Strike for Mortise Lock
- 6059RL - 4-7/8" ASA Roller Strike
- 6603RL - 4-7/8" ASA Roller Strike for Mortise Lock
- **Custom strikes available** - See order form online or contact factory for details.



Roller Latch Conversion Kit

This allows a roller latch to convert to a standard spring latch using existing door prep (latch not included). Kit contains the conversion bracket and your choice of strike:

- 601LB-T - Roller latch bracket and 2-3/4" T Strike
- 601LB-A - Roller latch bracket and 4-7/8" T Strike
- 601LB-D - Roller latch bracket and 2-1/4" Full Lip Strike



Drilling Jig - 6000 - JIG

The drilling jig is used to help properly locate the mounting holes for the ABH cylindrical push/pull latches in relation to the latch hub; thus, preventing binding of mechanical parts when installing the trim.

- Accommodates 2-3/4" and 5" backsets
- Drill bushings for 5/16" diameter drill

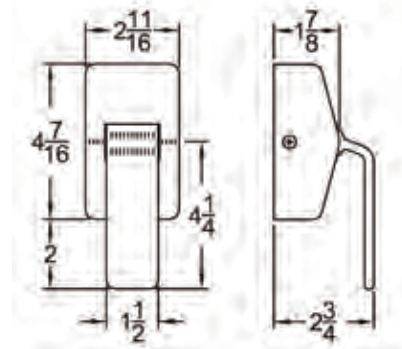


6000 Series Cylindrical Latches

Innovation, Quality,
Customer Service...

Standard Features

- Cylindrical latch application – passage function
- 1-3/4" standard door thickness (specify if different)
- Meets ADA requirements
- Trim is mounted using four thru-bolts for maximum stability
- One continuous spring provides a smoother operation and an extended life for the unit
- Non-handed for installation and stocking ease
- Trim can be mounted vertical or horizontal (with handles pointing toward hinge edge of door)
- Handles can be mounted up or down by simply rotating trim 180°
- UL Listed in U.S.A and Canada for use on door fire rated 90 minutes or less, up to 4'0" x 8'0"



How to Order:

Model: _____

- 60 = 6000 Series

Latch Backset: _____

- 2 = 2-3/4" • 5 = 5"
- 3 = 3-3/4" • 7 = 7"

Strike: _____

- T = 2-3/4" T-Strike
- A = 4-7/8" ASA Strike

Finish: _____

- US32D • US32 • US10B • US3
- US26D • US26 • US10 • US4

Options, if Needed: _____

- AM • L • PL • PS • H • EX
- X • J • RC • SEC • THICK • P

(See pages C-3 to C-5 for details)

Example: 60 2 A - US32D - AM



LR6000 Series – Ligature-Resistant Cylindrical Latches

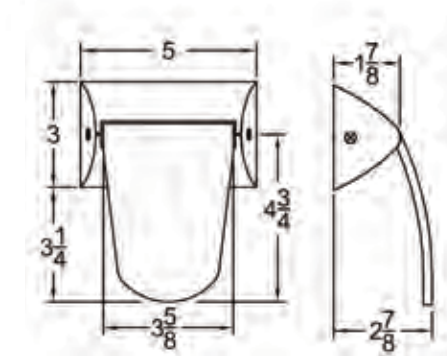
Innovation, Quality, Customer Service...

Standard Features

- New ligature-resistant design provides a sleek look as well as functionality not commonly found in push/pull trim
- Cylindrical latch application – passage function
- 1-3/4" standard door thickness (specify if different)
- Meets ADA requirements
- Trim is mounted using four thru-bolts for maximum stability
- Non-handed for installation and stocking ease
- Trim can be mounted vertical or horizontal (with handles pointing toward hinge edge of door)
- UL Listed in U.S.A and Canada for use on door fire rated 90 minutes or less, up to 4'0" x 8'0"
- LR trim also available for mortise lock bodies – LR6600 and LR6700 Series (See pages C-16 and C-20 for details)



Optional Custom Engraving Shown



How to Order:

Example: LR6000 2 A – US32D – AM

Model: _____

- LR6000

Latch Backset: _____

- 2 = 2-3/4" • 5 = 5"
- 3 = 3-3/4" • 7 = 7"

Strike: _____

- T = 2-3/4" T-Strike
- A = 4-7/8" ASA Strike

Finish: _____

- US32D • US32 • US10B • US3
- US26D • US26 • US10 • US4

Options, if Needed: _____

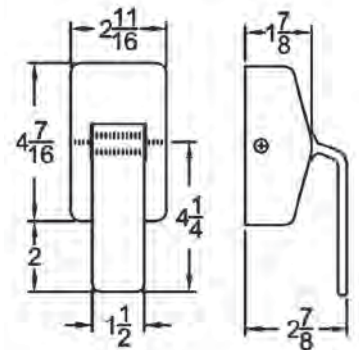
- AM • L • PL • PS • SEC • THICK • P
- (See pages C-3 to C-5 for details)



6100 Series - Retrofit Application Cylindrical Latches

Standard Features

- Specifically designed for retrofit application with an existing 161 prep or in new construction when drilling additional holes for thru-bolt mounting is undesirable
- Locks and functions identical to 6000 series, except all mounting hardware goes through the standard 161 prep and does not require any additional door prep for installation (no additional four thru-bolts holes).
- Cylindrical latch application - passage function
- 1-3/4" standard door thickness (specify if different)
- Meets ADA requirements
- One continuous spring provides a smoother operation and extended life for the unit
- Non-handed unit for installation and stocking ease
- Trim can be mounted vertical or horizontal (with handles pointing toward hinge edge of door)
- Handles can be mounted up or down by simply rotating trim 180°
- UL Listed in U.S.A and Canada for use on door fire rated 90 minutes or less, up to 4'0" x 8'0"



How to Order:

Example: 61 2 A - US32D - AM

Model:

- 61 = 6100 Series

Latch Backset:

- 2 = 2-3/4" • 5 = 5"
- 3 = 3-3/4" • 7 = 7"

Strike:

- T = 2-3/4" T-Strike
- A = 4-7/8" ASA Strike

Finish:

- US32D • US32 • US10B • US3
- US26D • US26 • US10 • US4

Options, if Needed:

- AM • L • PL • PS • H • EX
 - X • J • RC • SEC • THICK • P
- (See pages C-3 to C-5 for details)



6200 Series – Asylum Trim Cylindrical Latches

Standard Features

- Helps support a safer environment in hospitals and other institutions where safety is of the highest priority
- Cylindrical latch application – passage function
- 1-3/4" standard door thickness (specify if different)
- "SEC" Security fasteners provided standard
- Trim is mounted using four thru-bolts for maximum stability
- Non-handed unit for installation and stocking ease
- **UL Listed** in U.S.A and Canada for use on door fire rated 90 minutes or less, up to 4'0" x 8'0"

Selecting the Right Asylum Trim for You

ABH manufactures three Asylum Trim types from which to choose - all operate in the same manner, by simply rotating the "knob" either clockwise or counter-clockwise.

- **"B"** – Round Asylum Trim
 - Place your thumb on top of the knob and your finger beneath to rotate the knob
- **"C"** – Angled Asylum Trim
 - This sleek design models the look of a thumb turn
- **"FM"** – Flush Mount Asylum Trim
 - Trim is flush to the door – picture on C-11 shows the side profile of a door with FM trim mounted on both sides (no projection).
 - Pull side FM trim incorporates a ring that sits flush inside the door until manually lifted and rotated to operate the latch and help pull the door open (see picture on C-11).



*"B" Round
Asylum Trim*



*"C" Angled
Asylum Trim*



*"FM" Flush Mount
Asylum Trim on one side
and LR6000 on other side*

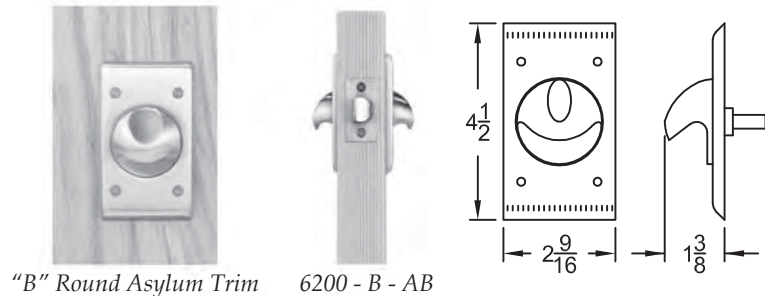


6200 Series - Asylum Cylindrical Latches

Mounting Options

- **"AB" - Asylum Trim on Both Sides**

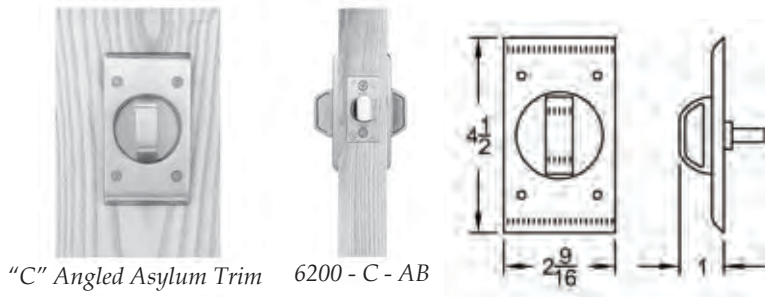
Asylum trim is provided on both sides of the door in lieu of standard hospital push/pull trim.



"B" Round Asylum Trim 6200 - B - AB

- **"PLA" - Asylum Trim on Push Side**

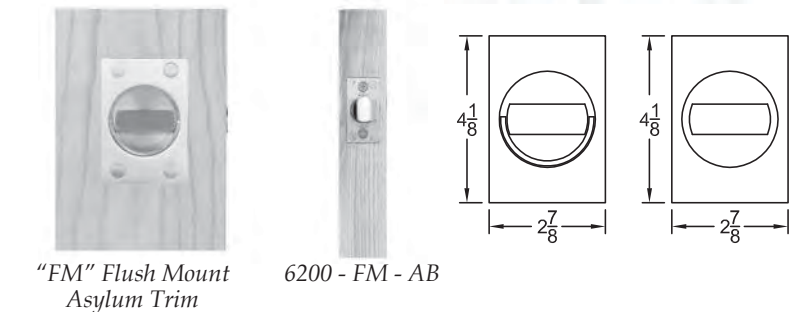
Asylum trim is provided on push side of the door and standard pull trim is provided on the pull side.



"C" Angled Asylum Trim 6200 - C - AB

- **"PSA" - Asylum Trim on Pull Side**

Asylum trim is provided on pull side of the door and standard push trim is provided on the pull side.



"FM" Flush Mount Asylum Trim 6200 - FM - AB

How to Order:

Example: 62 2 A - B -US32D - PLA - AM

Model: _____

• 62 = 6200 Series

Latch Backset: _____

- 2 = 2-3/4" • 5 = 5"
- 3 = 3-3/4" • 7 = 7"

Strike: _____

- T = 2-3/4" T-Strike
- A = 4-7/8" ASA Strike

Asylum Knob Type: _____

- B = Round Knob • FM = Flush Mount
- C = Angled Knob

Finish: _____

- US32D • US32 • US10B • US3
- US26D • US26 • US10 • US4

Required Option (must choose one): _____

- PLA = Pull side has standard pull trim & push side has asylum trim
- PSA = Push side has standard pull trim & pull side has asylum trim
- AB = Both push and pull side have asylum trim

Options, if Needed:

- H • AM • L • PL
- PS • EX • X • J
- RC • THICK • P

(See pages C-3 to C-5 for details)



6400 & 6500 – Privacy Cylindrical Latches

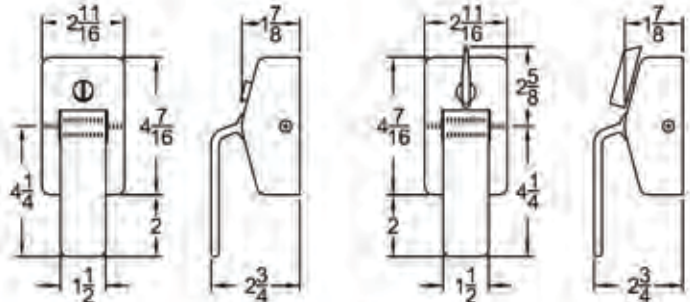
Standard Features

- Designed for patient bathroom applications with the privacy-actuated thumb turn on one side and the override knob on the opposite side in case of emergency
 - **6400 Series**
Locking thumb turn on pull side
Override knob on push side
 - **6500 Series**
Locking thumb turn on push side
Override knob on pull side
- Cylindrical latch application – privacy function
- Door is locked by moving the thumb turn into the locked position
- Door is unlocked by operating handle on thumb turn side, moving thumb turn into the unlocked position or rotating the override knob in case of emergency
- 1-3/4" standard door thickness
- Meets ADA requirements
- Trim is mounted using four thru-bolts for maximum stability
- One continuous spring provides a smoother operation and extended life for the unit
- Non-handed for installation and stocking ease
- UL Listed in U.S.A and Canada for use on door fire rated 90 minutes or less, up to 4'0" x 8'0"



Override Knob

Locking Thumb Turn



How to Order:

Model: _____

- 64 = 6400 Series
- 65 = 6500 Series

Latch Backset: _____

- 2 = 2-3/4" • 5 = 5"
- 3 = 3-3/4" • 7 = 7"

Strike: _____

- T = 2-3/4" T-Strike
- A = 4-7/8" ASA Strike

Finish: _____

- US32D • US32 • US10B • US3
- US26D • US26 • US10 • US4

Options, if Needed: _____

- H • AM • L • EX • X • SEC • THICK • P

(See pages C-3 to C-5 for details)

Example: **64 2 A - US32D - AM**



Hospital Push/Pull Latches



Innovation, Quality,
Customer Service...

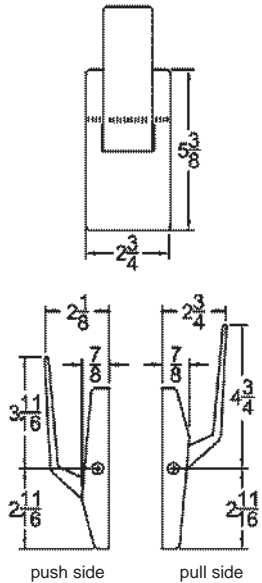
6800 Series – Low Profile Cylindrical Latches

Standard Features

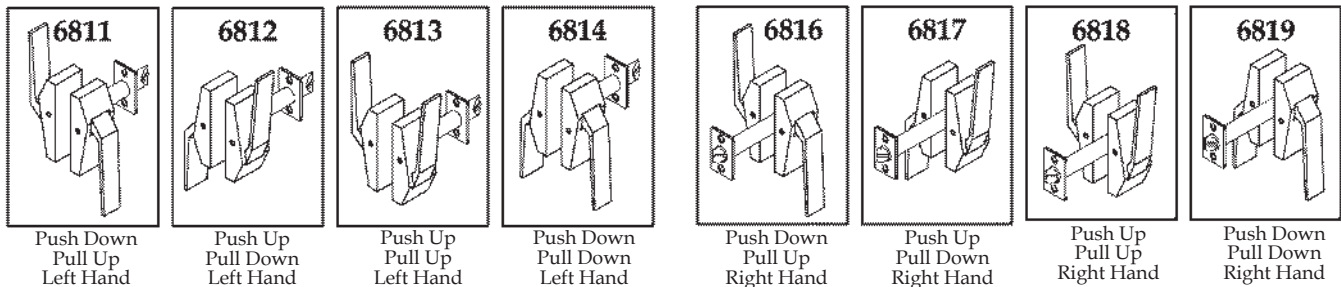
- Cylindrical latch application – passage function
- 1-3/4" standard door thickness (specify if different)
- Meets ADA requirements
- Trim is mounted using four thru-bolts for maximum stability
- Handing of unit is field-reversible by easily reversing the cam holder assembly on the backside of the unit
- Linear acting cam which provides for a smoother operating unit
- One continuous spring provides a smoother operation and an extended life for the unit
- UL Listed in U.S.A and Canada for use on door fire rated 90 minutes or less, up to 4'0" x 8'0"



Optional Round Cover &
Custom Engraving Shown



Models



How to Order:

Example: 6811 - 2 A - US32D - AM

Model:

- 6811 • 6812 • 6813 • 6814
- 6816 • 6817 • 6818 • 6819

Latch Backset:

- 2 = 2-3/4" • 5 = 5"
- 3 = 3-3/4" • 7 = 7"

Strike:

- T = 2-3/4" T-Strike
- A = 4-7/8" ASA Strike

Finish:

- US32D • US32 • US10B • US3
- US26D • US26 • US10 • US4

Options, if Needed:

- H • AM • L • PL • PS • EX • X
 - RC • SEC • THICK • P
- (See page C-3 to C-5 for details)

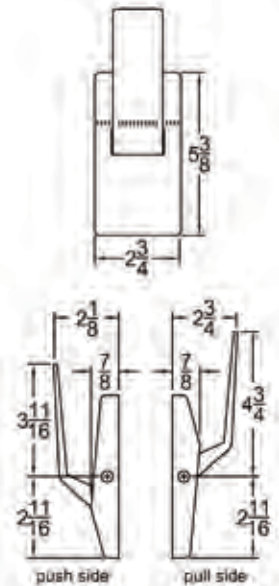


Architectural Builders Hardware Manufacturing, Inc.
1222 Ardmore Avenue, Itasca, IL 60143
Tel: 630-875-9900 • Fax: 630-875-9918 / 800-932-9224
Web: www.abhmfg.com • Email: abhinfo@abhmfg.com




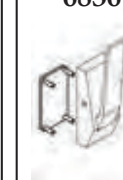

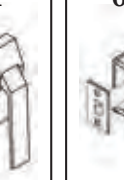

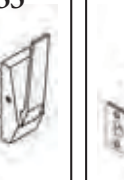
6830 Series – Low Profile Reverse Cylindrical Latches

Standard Features

- Ideal for time-out rooms, behavioral settings and other similar institutions
- Latch bolt is always retracted until handle is activated
- When handle is activated, the latch bolt projects until the handle is released
- Push or pull handle trim assembly on one side and flat plate on other side of door.
- Cylindrical reverse latch application – passage function
- 1-3/4" standard door thickness (specify if different)
- Meets ADA requirements
- Trim is mounted using four thru-bolts for maximum stability
- Handing of unit is field-reversible by easily reversing the cam holder assembly on the backside of the unit
- Linear acting cam which provides for a smoother operating unit
- One continuous spring provides a smoother operation and an extended life for the unit
- UL Listed in U.S.A and Canada for use on door fire rated 90 minutes or less, up to 4'0" x 8'0"



Models

6830 	6832 	6834 	6836 	6831 	6833 	6835 	6837 
Push Handle Down	Pull Handle Down	Push Handle Up	Pull Handle Up	Push Handle Down	Push Handle Down	Push Handle Up	Pull Handle Up

How to Order:

Example: 6831 - 2 A - US32D - AM

Model:

- 6830 • 6831 • 6832 • 6833
- 6834 • 6835 • 6836 • 6837

Latch Backset:

- 2 = 2-3/4" • 5 = 5"
- 3 = 3-3/4" • 7 = 7"

Strike:

- T = 2-3/4" T-Strike
- A = 4-7/8" ASA Strike

Finish:

- US32D • US32 • US10B • US3
- US26D • US26 • US10 • US4

Options, if Needed:

- H • AM • L • EX • X • RC • THICK • P (See pages C-3 to C-5 for details)

Architectural Builders Hardware Manufacturing, Inc.

1222 Ardmore Avenue, Itasca, IL 60143

Tel: 630-875-9900 • Fax: 630-875-9918 / 800-932-9224

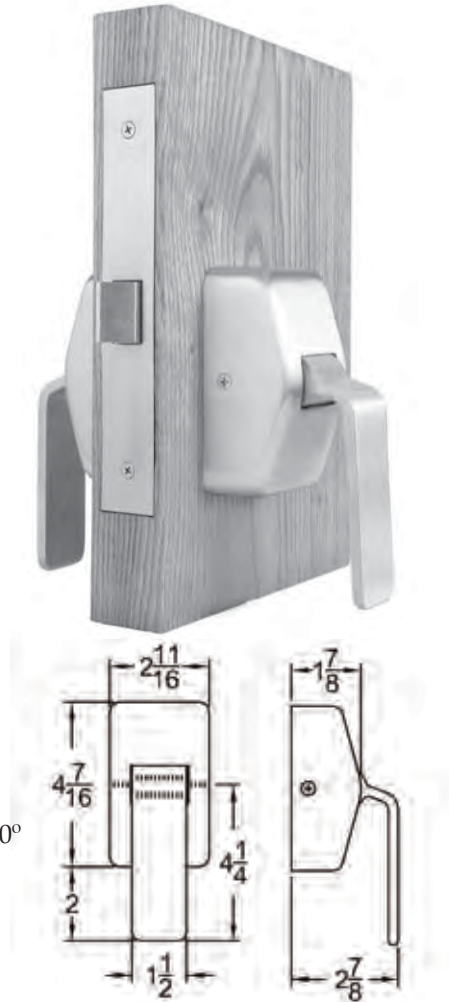
Web: www.abhmf.com • Email: abhinfo@abhmf.com



6600 Series Trim with Mortise Lock Body

Standard Features

- Mortise lock body provided – specify function (see page C-16 to C-17 for details)
- Mortise lock body only available in 2-3/4" backset
- 4-7/8" ASA strike supplied standard
- 3/4" latch bolt throw
- Mortise lock cylinder and cam not provided
 - Uses clover leaf-type cam – Best® C258 or equal (except 6638 and 6645 models, which use Best® C293 or equal on outside)
 - 6 Pin Cylinder = 1-1/8" long
 - 7 Pin Cylinder = 1-1/4" long
- 1-3/4" standard door thickness minimum (specify if greater than 1-3/4")
- Meets ADA requirements
- All mounting hardware goes through mortise lock body prep – no additional prep required
- One continuous spring provides a smoother operation and an extended life for the unit
- Trim is non-handed; however, the mortise lock body is handed (can be changed in field)
- Can be mounted vertical or horizontal (with handles pointing toward hinge edge of door)
 - For mortise lock functions where thumb turn or cylinder will be used, either mount the trim horizontal or select "J" option (Junior Covers) to achieve required clearance
- Handles can be mounted up or down by simply rotating trim 180°
- UL Listed in U.S.A and Canada for use on door fire rated 90 minutes or less, up to 4'0" x 8'0"



How to Order:

Example: 6610 LH - US32D - AM

Model:

- | | | |
|--------------------------|------------------------|--------------------|
| • 6610 = Passage | • 6641 = Institutional | • 6656 = Classroom |
| • 6632 = Privacy | • 6645 = Hotel | • 6658 = Storeroom |
| • 6637 = Communicating | • 6653 = Dormitory | |
| • 6638 = Public Entrance | • 6654 = Entry/Office | |

Lock Body Handing:

- | | |
|-------------------|---------------------------|
| • LH = Left Hand | • LR = Left Hand Reverse |
| • RH = Right Hand | • RR = Right Hand Reverse |

Finish:

- | | | | |
|---------|--------|---------|-------|
| • US32D | • US32 | • US10B | • US3 |
| • US26D | • US26 | • US10 | • US4 |

Options, if Needed:

- H • AM • L • PL • PS • EX • X • J • RC • SEC • THICK
• EL • EU • RX • AB • PLA • P (See pages C-3 to C-5 for details)

*Brand names are trademarks or registered trademarks of their respective companies.



Architectural Builders Hardware Manufacturing, Inc.
1222 Ardmore Avenue, Itasca, IL 60143
Tel: 630-875-9900 • Fax: 630-875-9918 / 800-932-9224
Web: www.abhmfg.com • Email: abhinfo@abhmfg.com

Hospital Push/Pull Latches



Innovation, Quality,
Customer Service...

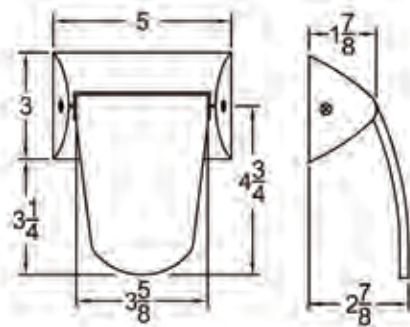
LR6600 Series – Ligature-Resistant Trim with Mortise Lock Body

Standard Features

- Mortise lock body provided – specify function (see page C-16 to C-17 for details)
- New ligature-resistant design provides a sleek look as well as functionality not commonly found in push/pull trim
- Mortise lock body only available in 2-3/4" backset
- 4-7/8" ASA strike supplied standard
- 3/4" latch bolt throw
- Mortise lock cylinder and cam not provided
 - Uses clover leaf-type cam – Best® C258 or equal (except 6638 and 6645 models, which use Best® C293 or equal on outside)
 - 6 Pin Cylinder = 1-1/8" long
 - 7 Pin Cylinder = 1-1/4" long
- 1-3/4" standard door thickness minimum (specify if other than 1-3/4")
- Meets ADA requirements
- All mounting hardware goes through mortise lock body prep – no additional prep required
- Trim is non-handed; however, the mortise lock body is handed (can be changed in field)
- Can be mounted vertical or horizontal (with handles pointing toward hinge edge of door)
 - For mortise lock functions where thumb turn will be used mount the trim horizontal to achieve required clearance
- Handles can be mounted up or down by simply rotating trim 180°
- UL Listed in U.S.A and Canada for use on door fire rated 90 minutes or less, up to 4'0" x 8'0"



Custom Engraving Shown



How to Order:

Example: LR6610 LH - US32D - AM

Model:

- | | | |
|----------------------------|--------------------------|----------------------|
| • LR6610 = Passage | • LR6641 = Institutional | • LR6656 = Classroom |
| • LR6632 = Privacy | • LR6645 = Hotel | • LR6658 = Storeroom |
| • LR6637 = Communicating | • LR6653 = Dormitory | |
| • LR6638 = Public Entrance | • LR6654 = Entry/Office | |

Lock Body Handing:

- | | |
|-------------------|---------------------------|
| • LH = Left Hand | • LR = Left Hand Reverse |
| • RH = Right Hand | • RR = Right Hand Reverse |

Finish:

- | | | | |
|---------|--------|---------|-------|
| • US32D | • US32 | • US10B | • US3 |
| • US26D | • US26 | • US10 | • US4 |

Options, if Needed:

- AM • L • PL • PS • SEC • THICK • EL • EU • RX • P
(See pages C-3 to C-5 for details)








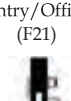
*Brand names are trademarks or registered trademarks of their respective companies.

Architectural Builders Hardware Manufacturing, Inc.
1222 Ardmore Avenue, Itasca, IL 60143
Tel: 630-875-9900 • Fax: 630-875-9918 / 800-932-9224
Web: www.abhmf.com • Email: abhinfo@abhmf.com



Mortise Lock Functions








Innovation, Quality,
Customer Service...

Non-Electrified Mortise Lock Bodies							
ABH Model	Function & ANSI	Latch Operated By	Dead Bolt Operated By	Outside Handle		Inside Handle	
				Locked By	Unlocked By	Locked By	Unlocked By
6610 LR6610	Passage (F01) 	Operating either handle	N/A	Cannot be locked	Always unlocked	Cannot be locked	Always unlocked
6632 LR6632	Privacy 	Operating either handle only when thumb turn is unlocked	N/A	<ul style="list-style-type: none"> Turning inside thumb turn Turning outside emergency key 	<ul style="list-style-type: none"> Turning inside thumb turn Operating inside handle Turning emergency key 	Cannot be locked	Always unlocked
6637 LR6637	Communicating (F14) 	Operating either handle	Turning key in either cylinder	Turning key in either cylinder	Turning key in either cylinder	Turning key either cylinder	Turning either cylinder
6638 LR6638	Public Entrance (F09) 	<ul style="list-style-type: none"> Operating inside handle Operating outside handle only when unlocked by key in inside cylinder Turning key in outside cylinder only 	N/A	Turning key in inside cylinder	Turning key in inside cylinder	Cannot be locked	Always unlocked
Auxillary latch deadlocks latch bolt when door is closed							
6641 LR6641	Institutional (F30) 	Turning key in either cylinder	N/A	Always locked	Cannot be unlocked	Always locked	Cannot be unlocked
Auxillary latch deadlocks latch bolt when door is closed							
6645 LR6645	Hotel (F15) 	<ul style="list-style-type: none"> Operating inside handle Turning key in outside cylinder 	<ul style="list-style-type: none"> Turning inside thumb turn Turning key in outside cylinder Operating inside handle retracts deadbolt and latch simultaneously 	Always locked	Cannot be unlocked	Cannot be locked	Always unlocked
Auxillary latch deadlocks latch bolt when door is closed							
6653 LR6653	Dormitory (F12) 	<ul style="list-style-type: none"> Operating inside handle Operating outside handle only when locking toggle is in unlocked position and deadbolt is retracted Turning key in outside cylinder 	<ul style="list-style-type: none"> Turning key in outside cylinder Turning inside thumb turn Operating inside handle retracts deadbolt and latch simultaneously 	<ul style="list-style-type: none"> Placing locking toggle in locked position Projecting deadbolt by key or thumb turn 	<ul style="list-style-type: none"> Placing locking toggle in unlocked position Turning key in outside cylinder 	Cannot be locked	Always unlocked
6654 LR6654	Entry/Office (F21) 	<ul style="list-style-type: none"> Operating inside handle when deadbolt retracted by thumb turn inside, Operating outside handle when unlocked by key or inside thumb turn 	<ul style="list-style-type: none"> Turning key in outside cylinder Turning inside thumb turn 	<ul style="list-style-type: none"> Turning key in outside cylinder Turning inside thumb turn 	<ul style="list-style-type: none"> Turning key in outside cylinder Turning inside thumb turn 	<ul style="list-style-type: none"> Turning key in outside cylinder Turning inside thumb turn 	<ul style="list-style-type: none"> Turning key in outside cylinder Turning inside thumb turn



Mortise Lock Functions

Innovation, Quality,
Customer Service...

Mortise Lock Bodies							
ABH Model	Function & ANSI	Latch Operated By	Dead Bolt Operated By	Outside Handle		Inside Handle	
				Locked By	Unlocked By	Locked By	Unlocked By
6656 LR6656	Classroom (F05) 	<ul style="list-style-type: none"> Operating inside handle Operating outside handle when unlocked by key Turning key in outside cylinder 	N/A	Turning key in outside cylinder	Turning key in outside cylinder	Cannot be locked	Always unlocked
6657 LR6657	Dormitory (F13) 	<ul style="list-style-type: none"> Operating inside handle Operating outside handle (only when deadbolt is retracted) Turning key in outside cylinder 	<ul style="list-style-type: none"> Turning key in outside cylinder Turning inside thumb turn Operating inside handle retracts deadbolt and latch simultaneously 	<ul style="list-style-type: none"> Turning key in outside cylinder Turning inside thumb turn 	<ul style="list-style-type: none"> Turning key in outside cylinder, Turning inside thumb turn Operating inside handle 	<ul style="list-style-type: none"> Turning key in outside cylinder Turning inside thumb turn 	Always unlocked
6658 LR6658	Storeroom (F07) 	<ul style="list-style-type: none"> Operating inside handle Turning key in outside cylinder 	N/A	Always locked	Cannot be unlocked	Cannot be locked	Always unlocked
Electrified Mortise Lock Bodies							
ABH Model	Function & ANSI	Latch Operated By	Dead Bolt Operated By	Outside Handle		Inside Handle	
				Locked By	Unlocked By	Locked By	Unlocked By
6658-EL LR6658-EL	Electronically Locked Outside (Fail Safe) 	<ul style="list-style-type: none"> Operating inside handle Turning key in outside cylinder 	N/A	With solenoid only	Power failure or switch	Cannot be locked	Always unlocked
6658-EU LR6658-EU	Electronically Unlocked Outside (Fail Secure) 	Operating either handle	N/A	Power failure or switch	With solenoid only	Cannot be locked	Always unlocked
6641-EL LR6641-EL	Electronically Locked Both Sides (Fail Safe) 	Turning key in either cylinder	N/A	By solenoid only	Power failure or switch	By solenoid only	Power failure or switch
6641-EU LR6641-EU	Electronically Unlocked Both Sides (Fail Secure) 	Turning key either cylinder	N/A	Power failure or switch	By solenoid only	Power failure or switch	By solenoid only
RX	Request to Exit Switch	<ul style="list-style-type: none"> Switch inside mortise lock body monitors operation of either handle. Available for all functions with non-rigid handles. Not available for lead-lined locks. 					



Hospital Push/Pull Latches



Innovation, Quality,
Customer Service...

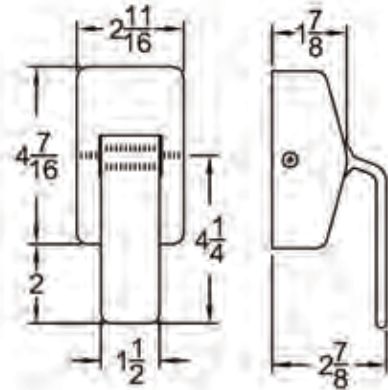
6700 Series Trim Only for use with Other Manufacturers' Mortise Lock Body

Standard Features

- ABH custom manufactures the hospital push/pull trim to work with other manufacturers' mortise lock bodies.
- Great for retrofit applications where the owner wants to keep existing lock bodies and keep keying system in-tact and keep costs low.
- Models and manufacturers are as follows:
 - 6710 - Trim for Best*, Falcon*, Marks*, Dorma* mortise lock body
 - 6720 - Trim for Schlage* mortise lock body
 - 6730 - Trim for Yale* mortise lock body
 - 6740 - Trim for Corbin Russwin* mortise lock body
 - 6750 - Trim for Sargent* mortise lock body
 - 6760 - Trim for PDQ* mortise lock body
 - 6770 - Trim for Arrow* mortise lock body
- No mortise lock body or strike supplied
- Must complete special order form found online www.abhmfg.com or by sending in a sample mortise lock body being used prior to manufacturing
- 1-3/4" standard door thickness minimum (specify if other than 1-3/4")
- Meets ADA requirements
- All mounting hardware goes through existing mortise lock body prep - no additional prep required
- One continuous spring provides a smoother operation and an extended life for the unit
- Push/pull trim is non-handed
- Can be mounted vertical or horizontal (with handles pointing toward hinge edge of door)
 - For mortise lock functions where thumb turn will be used, either mount the trim horizontal or select "J" option (Junior Covers) to achieve required clearance
- Handles can be mounted up or down by simply rotating trim 180°
- UL Listed in U.S.A and Canada for use on door fire rated 3 hour or less, up to 4'0" x 8'0"



(Mortise Lock Body not included)



How to Order:

Example: 6710 US32D - AM

Model: _____

- 6710 • 6720 • 6730
- 6740 • 6750 • 6770

Finish: _____

- US32D • US32 • US10B • US3
- US26D • US26 • US10 • US4

Options, if Needed: _____

- H • AM • PL • PS • EX • X • J • RC • SEC • THICK • AB • PSA • PLA • P

(See pages C-3 to C-5 for details)

*Brand names are trademarks or registered trademarks of their respective companies.



Architectural Builders Hardware Manufacturing, Inc.
1222 Ardmore Avenue, Itasca, IL 60143
Tel: 630-875-9900 • Fax: 630-875-9918 / 800-932-9224
Web: www.abhmfg.com • Email: abhinfo@abhmfg.com

Hospital Push/Pull Latches



Innovation, Quality,
Customer Service...

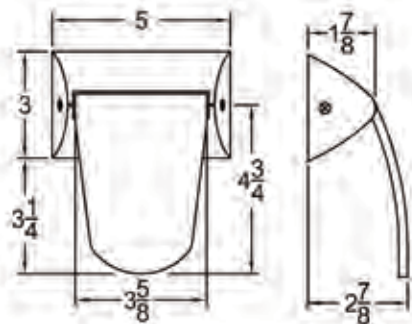
LR6700 Series – Ligature-Resistant Trim Only for use with Other Manufacturers’ Mortise Lock Body

Standard Features

- New ligature-resistant design provides a sleek look as well as functionality not commonly found in push/pull trim
- ABH custom manufactures the hospital push/pull trim to work with other manufacturers’ mortise lock bodies
- Great for retrofit applications where the owner wants to keep existing lock bodies and keyway system in-tact and keep costs low
- Models and manufacturers are as follows:
 - LR6710 – Trim for Best*, Falcon*, Marks* or Dorma* mortise lock body
 - LR6720 – Trim for Schlage* mortise lock body
 - LR6730 – Trim for Yale* mortise lock body
 - LR6740 – Trim for Corbin Russwin* mortise lock body
 - LR6750 – Trim for Sargent* mortise lock body
 - LR6760 – Trim for PDQ* mortise lock body
 - LR6770 – Trim for Arrow* mortise lock body
- No mortise lock body or strike supplied
- Must complete special order form found online www.abhmfg.com or by sending in a sample mortise lock body being used prior to manufacturing
- 1-3/4" standard door thickness minimum (specify if greater than 1-3/4")
- Meets ADA requirements
- All mounting hardware goes through existing mortise lock body prep – no additional prep required
- One continuous spring provides a smoother operation and an extended life for the unit
- Push/pull trim is non-handed for installation ease
- Can be mounted vertical or horizontal (with handles pointing toward hinge edge of door)
 - For mortise lock functions where thumb turn will be used, mount the trim horizontal to achieve required clearance
- UL Listed in U.S.A and Canada for use on door fire rated 3 hour or less, up to 4'0" x 8'0"



Custom Engraving Shown
(Mortise Lock Body not included)



How to Order:

Example: LR6710 – US32D – AM

Model: _____

- LR6710 • LR6720 • LR6730
- LR6740 • LR6750 • LR6770

Finish: _____

- US32D • US32 • US10B • US3
- US26D • US26 • US10 • US4

Options, if Needed: _____

- AM • L • PL • PS • SEC • THICK • P
- (See pages C-3 to C-5 for details)

*Brand names are trademarks or registered trademarks of their respective companies.

Architectural Builders Hardware Manufacturing, Inc.

1222 Ardmore Avenue, Itasca, IL 60143

Tel: 630-875-9900 • Fax: 630-875-9918 / 800-932-9224

Web: www.abhmfg.com • Email: abhinfo@abhmfg.com



ABH[®]
MANUFACTURING INC.

ELECTROMAGNETIC DOOR HOLDERS

Mini Product Catalog

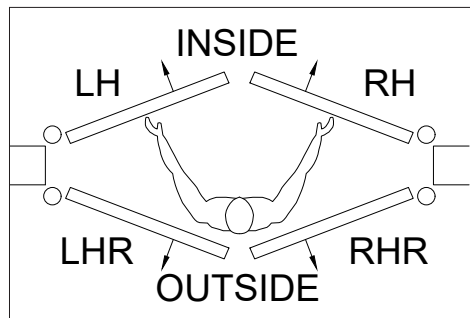


www.abhmfg.com
630-875-9900

Electromagnetic Door Holders

Table of Contents

■ STANDARD FINISHES	1
■ ELECTROMAGNETIC DOOR HOLDER REFERENCE CHART	2
■ GENERAL INFORMATION	3
■ ELECTRICAL SCHEMATICS & TECHNICAL DATA	4
WALL MOUNTS	
2100 Recessed Wall Mount	5
2300 Surface Wall Mount	5
2400 Flush Wall Mount	6
2400L Flush Wall Mount with Low Profile Armature	6
2400LR Ligature Resistant and Angled Armature Assembly	7
2400LS Flush Wall mount with Flush Mount Armature	7
2510 Heavy Duty Surface Wall Mount	8
FLOOR MOUNTS	
2600 Single Floor Mount	8
2700 Double Floor Mount	9
■ PARTS	10
■ OPTIONS	10



Standard Finishes

				ABH PRODUCTS																				
S - Standard C - Custom		ANSI #	Color Name	Door Pulls & Custom Pulls	Rescue Hardware	Electrical Power Transfers	Locking Ladder Pulls	Custom Strikes	Electromagnetic Door Holders	Surface Bolts, Slide Bolts, Vertical Rod Protectors & Covers	Roller Latches	Coordinators	Flush Bolts	Wall Stops, Floor Stops, Applied Stops, Pipe Stops	Overhead Holders & Stops	Hospital Push/Pulls	Cam Lift Hinges & Specialty Hinges	Custom Slim Line Pivots	Pivots & Pivot Sets	Stainless Steel Door Edge Guards	Stainless Steel Pin & Barrel Continuous Hinges	Aluminum Geared Hinges		
PLATED FINISHES	S	US3	605/632	BRIGHT BRASS	•	•	•	•	•	•			•	•	•	•	•	•	•	•	•			
	S	US4	606/633	SATIN BRASS	•	•	•	•	•	•			•	•	•	•	•	•	•	•	•	•		
	C	US5	609/638	BRASS SATIN OXIDIZED	•	•	•	•	•						•	•	•	•	•	•	•			
	S	US9	611	BRIGHT BRONZE - CLEAR COATED	•	•	•	•	•	•					•	•	•	•	•	•	•	•		
	S	US10	612/639	SATIN BRONZE	•	•	•	•	•	•				•	•	•	•	•	•	•	•	•		
	C	US10A	641	ANTIQU BRONZE LACQUERED	•	•	•	•	•	•					•	•	•	•	•	•	•	•		
	S	US10B	613/640	BRONZE OILED	•	•	•	•	•	•				•	•	•	•	•	•	•	•	•		
	C	US14	618	BRIGHT NICKEL (US32)	•	•	•	•	•	•					•	•	•	•	•	•	•	•		
	C	US14B	-	BRIGHT BLACK NICKEL	•	•	•	•	•	•					•	•	•	•	•	•	•	•		
	C	US15	619/646	SATIN NICKEL	•	•	•	•	•	•					•	•	•	•	•	•	•	•		
	C	US15A	620/647	SATIN NICKEL ANTIQUE OXIDIZED	•	•	•	•	•	•					•	•	•	•	•	•	•	•		
	C	US17A	621	SATIN BLACK NICKEL CLEAR COAT	•	•	•	•	•	•					•	•	•	•	•	•	•	•		
	S	US26	625/651	BRIGHT CHROME (US32)	•	•	•	•	•	•					•	•	•	•	•	•	•	•		
	C	US26D	626/652	SATIN CHROME (US32D)	•	•	•	•	•	•				•	•	•	•	•	•	•	•	•		
	S	US32D	630	SATIN STAINLESS STEEL	•	•	•	•	•	•	•			•	•	•	•	•	•	•	•	•	•	•
	S	US32	-	BRIGHT STAINLESS	•	•	•	•	•	•	•			•	•	•	•	•	•	•	•	•		
	S	USP	600	PRIME COAT	•	•	•	•	•	•					•	•	•	•	•	•	•	•		
COATED FINISHES	S	S1	-	PAINTED ALUMINUM	•	•	•	•	•	•				•	•	•	•	•	•	•	•	•	•	
	S	S2	695	PAINTED BRASS	•	•	•	•	•	•					•	•	•	•	•	•	•	•	•	•
	S	S3	694	PAINTED BRONZE	•	•	•	•	•	•					•	•	•	•	•	•	•	•	•	•
	S	S4/BSP	693	BLACK SUEDE POWDER COATING	•	•	•	•	•	•				•	•	•	•	•	•	•	•	•	•	•
	S	S5	695	PAINTED DARK BRONZE	•	•	•	•	•	•					•	•	•	•	•	•	•	•	•	•
	S	S8/WSP	-	WHITE SUEDE POWDER COATING	•	•	•	•	•	•				•	•	•	•	•	•	•	•	•	•	•
	S	AM	-	CRYSTAL CLEAR - ANTI-MICROBIAL	•	•	•	•	•	•					•	•	•	•	•	•	•	•	•	•
ANODIZED FINISHES	S	C	-	CLEAR ANODIZED (US28)					•		•												•	
	C	ABH	-	CHAMPAGNE ANODIZED																			•	
	C	ABH	-	LIGHT BRONZE ANODIZED																			•	
	C	ABH	-	MEDIUM BRONZE ANODIZED																			•	
	C	D	-	DARK BRONZE ANODIZED																			•	
	S	ABH	-	STAT BRONZE ANODIZED																			•	
	S	B	-	BLACK ANODIZED																			•	
	C	ABH	-	GOLD ANODIZED																			•	
C	ABH	-	CUSTOM ANODIZED FINISHES																			•		

*** Custom Finishes Available - Contact Factory**

ABH® reserves the right to make changes or improvements in design, material, parts or specifications, and "discontinue" without notice.

Electrical Power – Cross Reference Chart

Type	ABH	ASSA Abloy*		LCN*	Dorma*	Hager
		Rixson*	Sargent*			
Recessed Mount	2100	998 997 994	1561	SEM7850 SEM7840 SEM1980 SEM1970	EM-504 EM-505	380F
Surface Mount	2300	996	1560	SEM7830 SEM1960	EM-508	380S
Flush Mount	2400	990	–	–	EM-509	380R
Low Profile Flush Mount	2400L	–	–	–	–	–
Extra Low Profile Flush Mount	2400LS	989	–	–	–	–
300 lb. Heavy Duty Surface Mount	2510	993	–	–	–	–
Floor Mount Single	2600	980	1562	SEM7820	EM-501	380G
Floor Mount Double	2700	981	1563	–	EM-502	380H

* Brand names are trademarks or registered trademarks of their respective companies.

General Information

WHERE WOULD I USE IT ?

Electromagnetic door holders can be used in any application needing remote door release.

- Fire rated openings
 - Door is released when magnet is tripped by a smoke alarm or detector
- Private Offices
 - Door releases when prompted from remote switch

The ABH Advantage

- Magnets are tri-voltage for installation and stocking ease
- Door armature has two pivot points which each have **360° mobility**
- Magnetic coil is **tri-voltage** and can be wired for 12 VDC, 24 VAC, 24VDC, or 120 VAC.
- **All metal components** – do not contain any plastic components.
- Most models come with a **1" extension for FREE** and do not require an extension adapter piece
- Extension rods thread together easily allowing installers to mix and match standard sizes to achieve desired length (see D-9 for details)
- Positive release button on door armature alleviates residual magnetism
- UL and ULC listed for use on fire doors
- California State Fire Marshall Approved

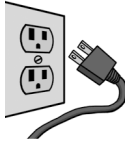
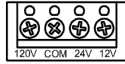
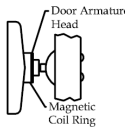
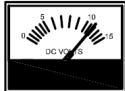

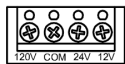
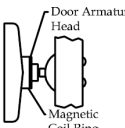
Warranty

ABH provides a 5-year limited warranty for all its electromagnetic door holders from date of shipment.

Certifications

- UL and ULC listed for use on fire doors
- California State Fire Marshall Approved
- Meets or exceeds ANSI/BHMA A156.15 Grade 1

Troubleshooting

Problem	Possible Cause	
Magnet Does Not Hold		Power not on or not plugged in
		Ground wire not connected to "COM" on terminal strip. Power wire not connected to correct power slot on terminal strip.
		Door Armature head is not sitting completely flat across magnetic coil ring. Swivel door armature head (360° mobility) to make complete contact.
Holding Force Weak		Line voltage from power supply may not be correct (Range+/- 10%)
		Dirt or cleaning solvent on armature head or magnetic coil. Turn power off and wipe with very fine emery cloth.
Humming Sound		Power wire not connected to correct power slot on terminal strip. 12VAC input instead of 12VDC. For DC Coils reverse polarity. Switch position of wires on terminal strip.
		Door Armature head is not sitting completely flat across magnetic coil ring. Swivel door armature head (360° mobility) to make complete contact.

Electromagnetic Door Holders

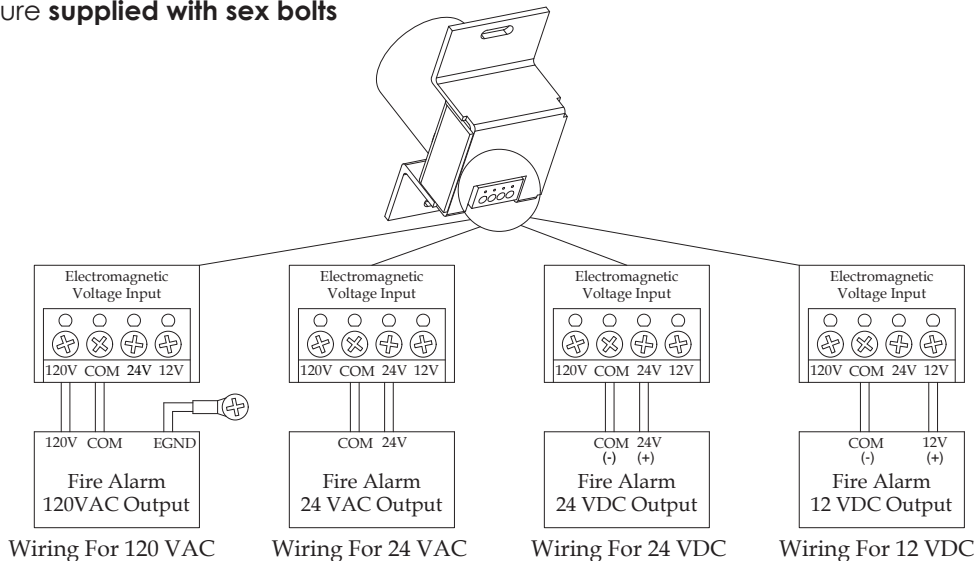
Electrical Schematics & Technical Data

Technical Data

- Magnets are tri-voltage for installation and stocking ease
- Low current draw provides savings in power and battery back-ups
- 35lb. Holding force
 - Door can be manually pulled closed with enough force
 - Individually tested for voltage and holding power prior to shipping
- Circuit normally closed
- Power failure automatically releases the door
- Door armature **supplied with six bolts**

Operation

Electromagnets are typically used with fire alarm system. Doors are held open in the non -alarm condition. When the fire alarm control system enters the alarm condition, power to the electromagnet is cut off, causing the doors to be released and allowing the door closer to close the door. When the fire alarm control system returns to the non -alarm condition, power is restored to the electromagnet and the door can be manually returned to the open position.



Technical Data

Model	Voltage	DC/mA	DC/VA	AC/mA	AC/VA	Terminals
2100, 2300, 2400, 2400L, 2400LS, 2600, 2700	12 DC	60	.72	-	-	COM & 12V
	24 AC/DC	30	.72	30	.72	COM & 24V
	120 AC	-	-	30	3.6	COM & 120V

Model	Voltage	mA	VA	Terminals
2510	24 AC/DC	105	1.26	COM & 24V

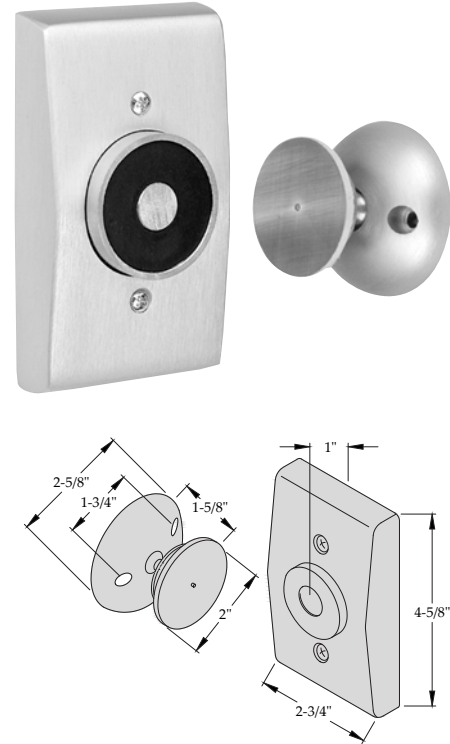
NOTE: All wiring must be installed in compliance with the (NEC) National Electrical Code and the local codes of (AHJ) Authority Having Jurisdiction. Your organization, or individual person is responsible for enforcing the requirements of a code standard, or for approving equipment, materials, and installation, or procedure.

Wall Mount

2100 – Recessed Wall Mount

Standard Features

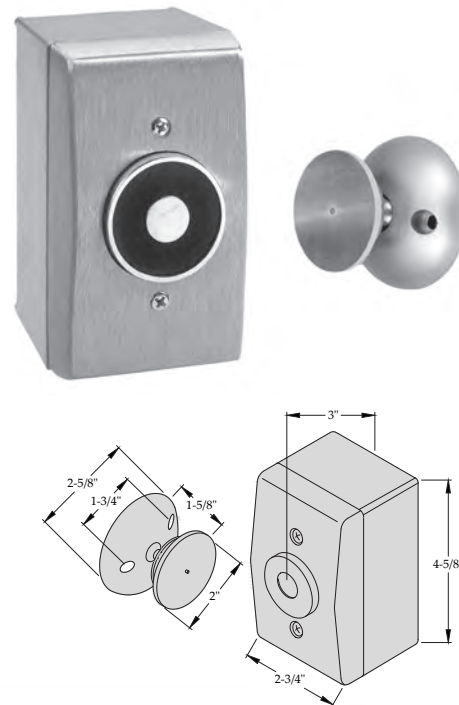
- 2-⁵/₈" total projection from wall to face of door (3-⁵/₈" if using complimentary 1" extension)
- Tri-Voltage units for easy stocking and installation 12V DC, 24V AC/DC OR 120V AC
- Provided with one complimentary 1" extension – **No charge**
- Optional extension rods fill the gap between the magnet and door armature with (see page D-10)
- 35 lb. holding force
- All metal components – **No plastic parts**
- UL/ULC listed for smoke barrier or labeled fire doors
- Listed by the California State Fire Marshall
- Outlet box required (not provided)
- Armature's features two pivot points which each have 360° mobility to help door alignment and reduce installation time
- Positive release button alleviates residual magnetism
- Average weight per unit = 2.5 lbs.



2300 – Surface Wall Mount

Standard Features

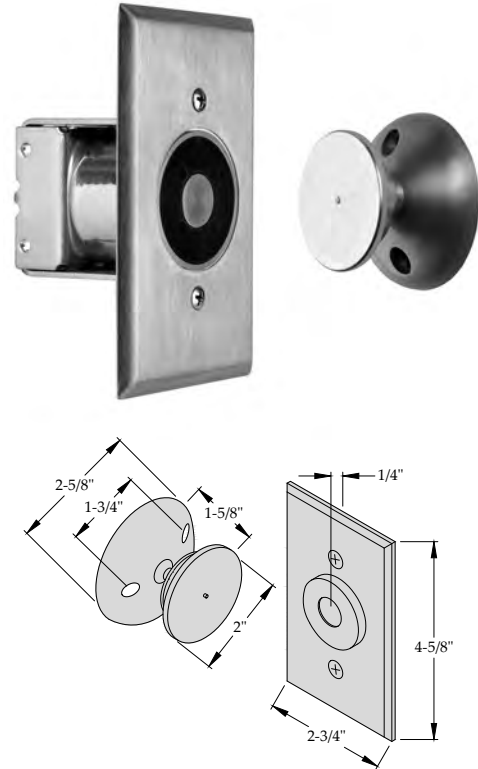
- 4 -⁵/₈" total projection from wall to face of door (5 -⁵/₈" if using complimentary 1" extension)
- Tri -Voltage units for easy stocking and installation 12V DC, 24V AC/DC OR 120V AC
- Provided with one complimentary 1" extension – **No charge**
- Optional extension rods fill the gap between the magnet and door armature **with no special adapter piece required** (see page D-10)
- 35 lb. holding force
- All metal components – **No plastic parts**
- UL/ULC listed for smoke barrier or labeled fire doors
- Listed by the California State Fire Marshall
- Armature's features two pivot points which each have 360° mobility to help door alignment and reduce installation time
- Positive release button alleviates residual magnetism
- Average weight per unit = 3 lbs.



2400 – Flush Wall Mount

Standard Features

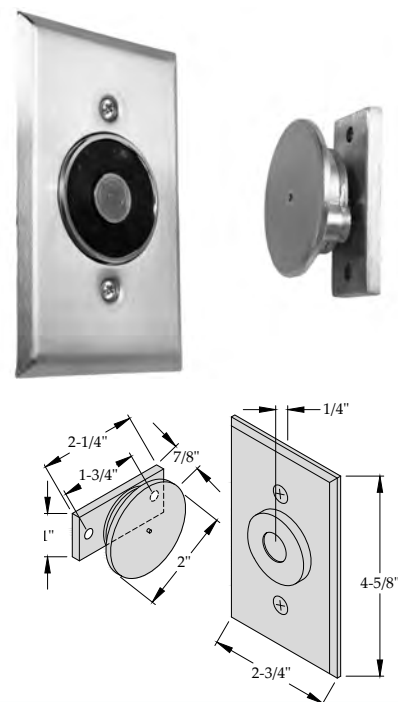
- 1-7/8" total projection from wall to face of door (2-7/8" if using complimentary 1" extension)
- Tri-Voltage units for easy stocking and installation 12V DC, 24V AC/DC OR 120V AC
- Provided with one complimentary 1" extension – **No charge**
- Optional extension rods fill the gap between the magnet and door armature **with no special adapter piece required** (see page D-10)
- 35 lb. holding force
- All metal components – **No plastic parts**
- UL/ULC listed for smoke barrier or labeled fire doors
- Listed by the California State Fire Marshall
- Outlet box required (not provided)
- Armature's features two pivot points which each have 360° mobility to help door alignment and reduce installation time
- Positive release button alleviates residual magnetism
- Average weight per unit = 2 lbs.



2400L – Flush Wall Mount with Low Profile Armature

Standard Features

- 1-1/8" total projection from wall to face of door
- Tri-Voltage units for easy stocking and installation 12V DC, 24V AC/DC OR 120V AC
- Optional extension rods fill the gap between the magnet and door armature with **no special adapter piece required** (see page D-10)
- 35 lb. holding force
- All metal components – **No plastic parts**
- UL/ULC listed for smoke barrier or labeled fire doors
- Listed by the California State Fire Marshall
- Armature's pivot points which each have 360° mobility to help door alignment and reduce installation time
- Positive release button alleviates residual magnetism
- Average weight per unit = 2 lbs.

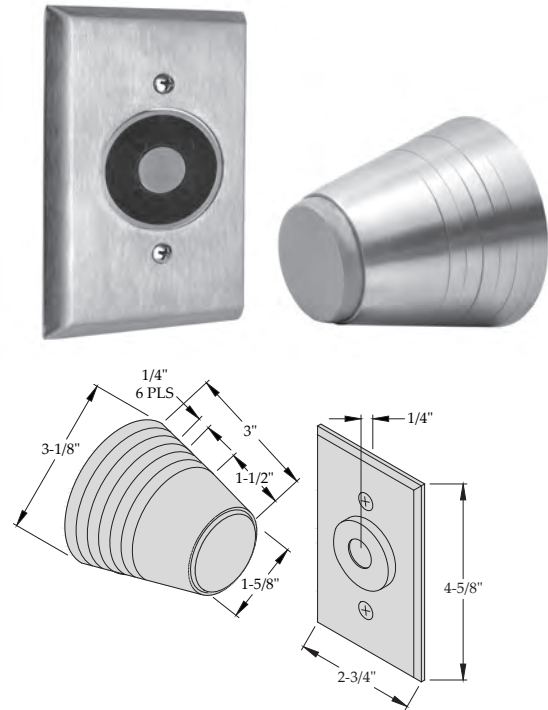


Wall Mount

2400LR – Ligature Resistant Flush Wall Mount Angled Armature Assembly

Standard Features

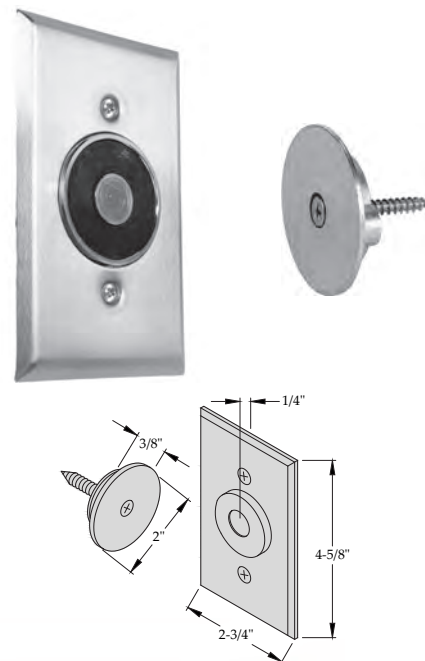
- 3-⁹/₃₂" total projection from wall to face of door
- Tri-Voltage units for easy stocking and installation
12V DC, 24V AC/DC OR 120V AC
- (6) 1/4" ring extensions (provided)
- Standard 1-1/2" Door Armature with the option to add extensions(provided)
- Door Armature Head has 6° adjustment built in for maximum flexibility for uneven wall conditions
- Wall Cover and Door Armature sloped to prevent objects from being tied or looped around them
- 35 lb. holding force
- All metal components – **No plastic parts**
- UL/ULC listed for smoke barrier or labeled fire doors
- Listed by the California State Fire Marshall
- Outlet box required (not provided)
- Average weight per unit = 4 lbs.



2400LS – Flush Wall Mount with Flush Mount Armature

Standard Features

- ⁵/₈" total projection from wall to face of door
- Tri-Voltage units for easy stocking and installation
12V DC, 24V AC/DC OR 120V AC
- 35 lb. holding force
- All metal components – **No plastic parts**
- UL/ULC listed for smoke barrier or labeled fire doors
- Listed by the California State Fire Marshall
- Outlet box required
- Positive release button alleviates residual magnetism
- Average weight per unit = 2 lbs.



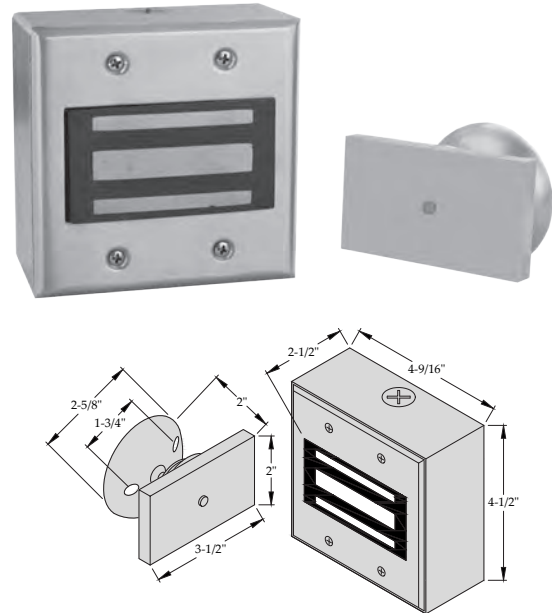
Electromagnetic Door Holders

Wall & Floor Mount

2510 – Heavy Duty Surface Wall Mount

Standard Features

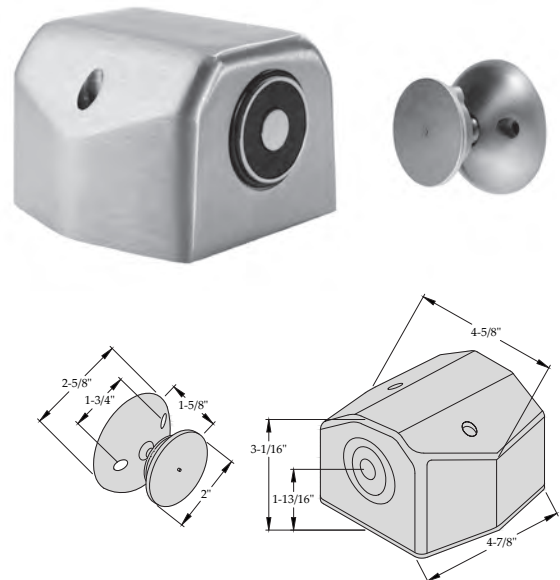
- 4-1/2" total projection from wall to face of door (5-1/2" if using complimentary 1" extension)
- 24V AC/DC magnetic coil
- Optional extension rods fill the gap between the magnet and door armature **with no special adapter piece required** (see page D-10)
- 300 lb. holding force
- All metal components – **No plastic parts**
- UL/ULC listed for smoke barrier or labeled fire doors
- Listed by the California State Fire Marshall
- Armature's pivot points has 360° mobility to help door alignment and reduce installation time
- Positive release button alleviates residual magnetism
- Average weight per unit = 6 lbs.



2600 – Single Floor Mount

Standard Features

- Tri-Voltage units for easy stocking and installation 12V DC, 24V AC/DC OR 120V AC
- Provided with one complimentary 1" extension – **No charge**
- Optional extension rods fill the gap between the magnet and door armature **with no special adapter piece required** (see page D-10)
- 35 lb. holding force
- All metal components – **No plastic parts**
- UL/ULC listed for smoke barrier or labeled fire doors
- Listed by the California State Fire Marshall
- Outlet box required (not provided)
- Armature's features two pivot points which each have 360° mobility to help door alignment and reduce installation time
- Positive release button alleviates residual magnetism
- Average weight per unit = 6 lbs.

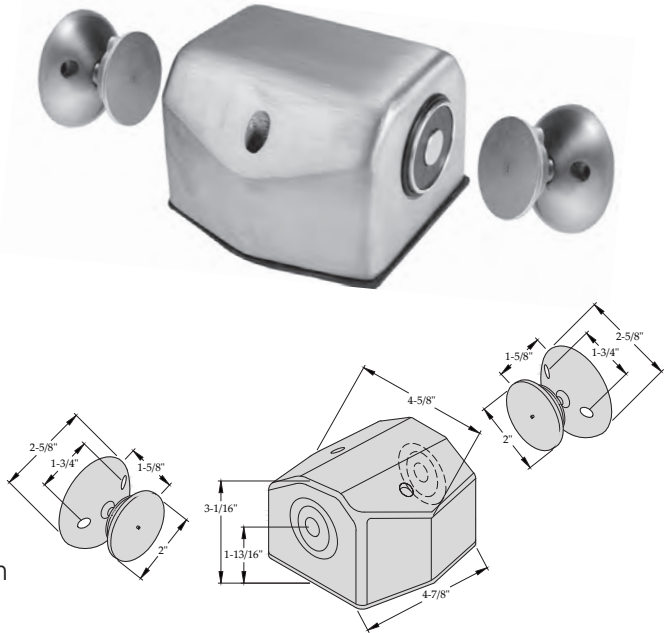


Floor Mount

2700 – Double Floor Mount

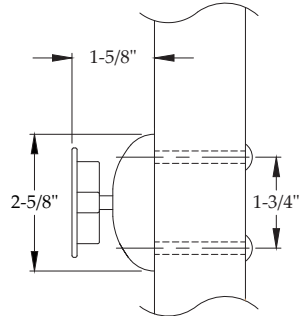
■ Standard Features

- Tri -Voltage units for easy stocking and installation
12V DC, 24V AC/DC OR 120V AC
- Provided with two complimentary
1" extension – **No charge**
- Optional extension rods fill the gap between the
magnet and door armature with **no special
adapter piece required** (see page 10)
- 35 lb. holding force
- All metal components – **No plastic parts**
- UL/ULC listed for smoke barrier or labeled fire doors
- Listed by the California State Fire Marshall
- Armature's features two pivot points which each
have 360° mobility to help door alignment and
reduce installation time
- Positive release button alleviates residual magnetism
- Average weight per unit = 8 lbs.

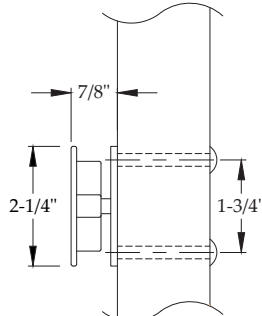


Door Armatures Finishes

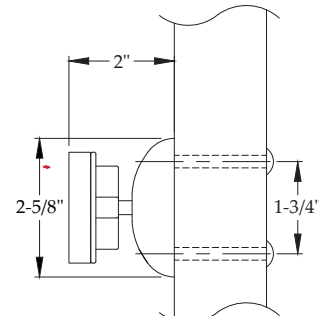
- Available in US28, S1,S2, S3,S4, S5, US32D, US32 Finishes. (see page 1)



20020
(2100, 2300, 2400, 2600, & 2700 models)



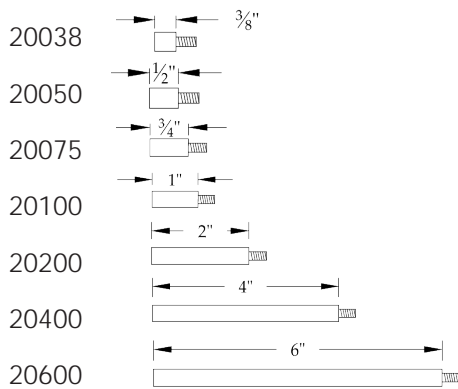
24020
(2400L model)



25020
(2510 model)

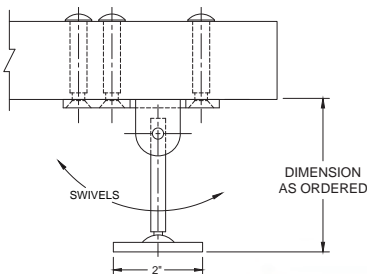
Extensions

- Available in zinc plated finishes only



S20020

- Custom Armature with Extension for lengths greater than 10"
- Specify overall length required from face of door to face of magnet
- Available in US28, S1, S2, S3, S4, S5, US32D, US32 Finishes (see page 1)



Electrical Boxes

- Available in US28, S1,S2, S3,S4, S5 Finishes (see page 1)
 - 23005 – 2300 Model
 - 25005 – 2510 Model

Wall Covers

- Available in US28, S1, S2, S3, S4, S5, US32D, US32 Finishes (see page 1)
 - 20012 – 2100 & FC2300 Model
 - 20014 – 2400, FC2400L & FC2400LS Model
 - 20015 – 2510 Model

Wall Portions with Covers

- Available in US28, S1, S2, S3, S4, S5, US32D, US32 Finishes (see page 1)
 - 21030 – 2100 Model
 - 23030 – 2300 Model
 - 24030 – 2400 Model
 - 25030 – 2510 Model

CONTACT US

ORDERS

orders@abhmfg.com

Send all Purchase Orders or questions regarding existing orders.

QUOTES

quotes@abhmfg.com

Send all Quote Request or questions regarding existing quotes.

ACCOUNTS RECEIVABLES

ar@abhmfg.com

Send all questions regarding invoices, statements, credit issues or RMA requests.

CUSTOMER SERVICE

cs@abhmfg.com

Send all customer service related requests.

If you have any other questions regarding ABH products, please call 630-875-9900.



Architectural Builders Hardware Manufacturing, Inc.
1222 Ardmore Avenue, Itasca, IL 60143
630-875-9900 • (800) 932-9224
www.abhmfg.com





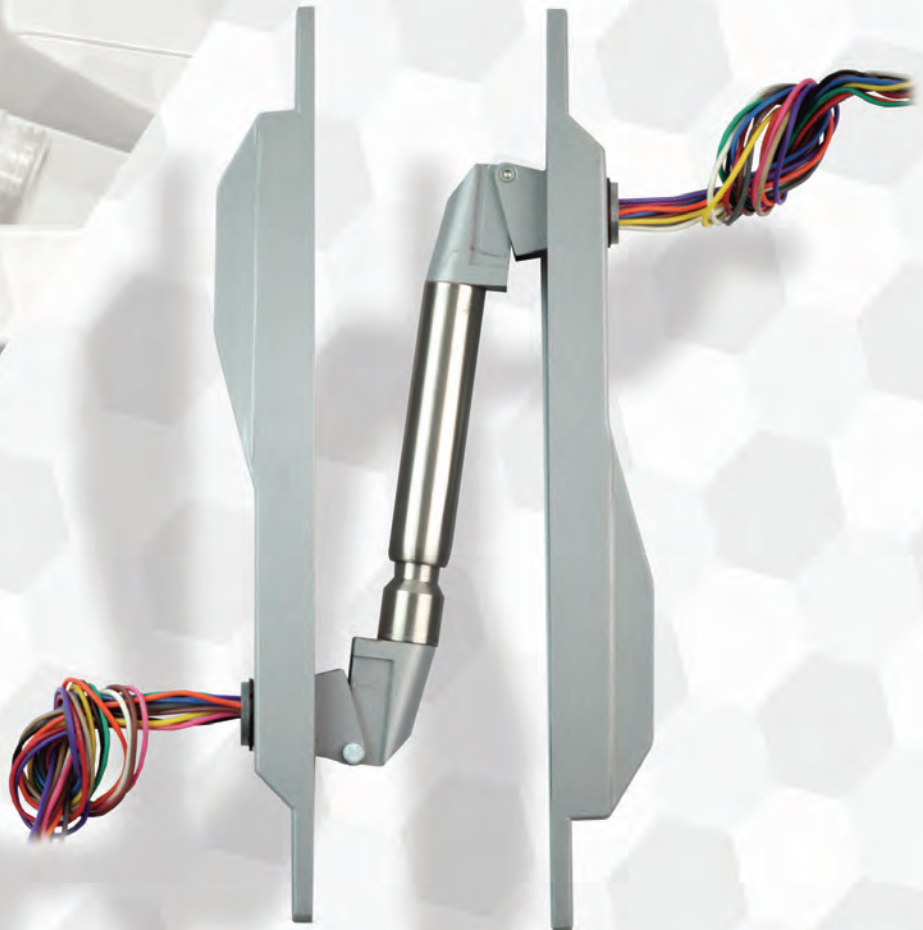
ABH[®]
MANUFACTURING INC.

POWER TRANSFERS & ELECTRIFIED HARDWARE

Mini Product Catalog



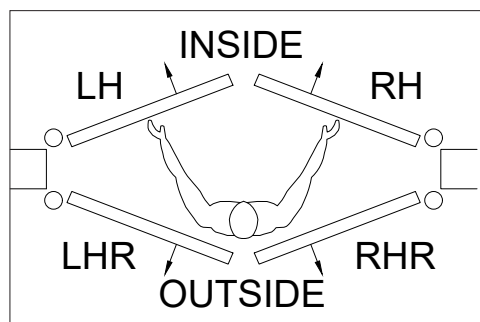
CLASSIFIED
UL MISCELLANEOUS FIRE
DOOR ACCESSORY
70°C



www.abhmfg.com
630-875-9900

Table of Contents

■ STANDARD FINISHES	1
■ ELECTRICAL POWER TRANSFER CROSS REFERENCE CHART	2
■ ELECTRICAL POWER TRANSFER UNITS	
PT1000	3
PT1000EZ, PT1000SC, PT1000SCEZ	4
PT200	5
PT200EZ, PT200SC, PT200SCEZ	6
PT1200EZ	7
PT1200SCEZ	8
PT105/PT180 (Square Mounting Bracket)	9
PTR105SC/PRT180SC (Round Mounting Bracket)	10
PTC5E	11
PT6PLUS	12
■ INTERMEDIATE PIVOTS – ELECTRIFIED	
CM019, CME019	13
E019, E019-1.5	14
E019U, EL019	15
EL019-1.5, EL019U	16
■ CENTER HUNG TOP PIVOTS – ELECTRIFIED	
E0320, 0340	17
E0345	18
CME0345, EEX0180	19
■ TOP PIVOTS & POCKET DOOR PIVOT	
EEXL0180, E0519	20
■ EA12 & EA12EZ ACCESSIBLE THRU-WIRE & STAINLESS STEEL ELECTRIFIED POWER TRANSFER HINGE	
EA12-EZ Accessible Thru-Wire, Stainless Steel Electrified Power Transfer Hinge	21
Electrified Continuous Hinges – OPTIONS	22



Standard Finishes

				ABH PRODUCTS																				
S - Standard C - Custom		ANSI #	Color Name	Door Pulls & Custom Pulls	Rescue Hardware	Electrical Power Transfers	Locking Ladder Pulls	Custom Strikes	Electromagnetic Door Holders	Surface Bolts, Slide Bolts, Vertical Rod Protectors & Covers	Roller Latches	Coordinators	Flush Bolts	Wall Stops, Floor Stops, Applied Stops, Pipe Stops	Overhead Holders & Stops	Hospital Push/Pulls	Cam Lift Hinges & Specialty Hinges	Custom Slim Line Pivots	Pivots & Pivot Sets	Stainless Steel Door Edge Guards	Stainless Steel Pin & Barrel Continuous Hinges	Aluminum Geared Hinges		
PLATED FINISHES	S	US3	605/632	BRIGHT BRASS	•	•	•	•	•	•				•	•	•	•	•	•	•				
	S	US4	606/633	SATIN BRASS	•	•	•	•	•	•				•	•	•	•	•	•	•	•			
	C	US5	609/638	BRASS SATIN OXIDIZED	•	•		•	•	•						•	•	•	•	•	•			
	S	US9	611	BRIGHT BRONZE - CLEAR COATED	•	•		•	•	•						•	•	•	•	•	•			
	S	US10	612/639	SATIN BRONZE	•	•		•	•	•				•	•	•	•	•	•	•	•			
	C	US10A	641	ANTIQUÉ BRONZE LACQUERED	•	•		•	•	•						•	•	•	•	•	•			
	S	US10B	613/640	BRONZE OILED	•	•		•	•	•				•	•	•	•	•	•	•	•			
	C	US14	618	BRIGHT NICKEL (US32)	•	•		•	•	•						•	•	•	•	•	•			
	C	US14B	-	BRIGHT BLACK NICKEL	•	•		•	•	•						•	•	•	•	•	•			
	C	US15	619/646	SATIN NICKEL	•	•		•	•	•						•	•	•	•	•	•			
	C	US15A	620/647	SATIN NICKEL ANTIQUE OXIDIZED	•	•		•	•	•						•	•	•	•	•	•			
	C	US17A	621	SATIN BLACK NICKEL CLEAR COAT	•	•		•	•	•						•	•	•	•	•	•			
	S	US26	625/651	BRIGHT CHROME (US32)	•	•		•	•	•						•	•	•	•	•	•			
	C	US26D	626/652	SATIN CHROME (US32D)	•	•		•	•	•				•	•	•	•	•	•	•	•			
	S	US32D	630	SATIN STAINLESS STEEL	•	•		•	•	•				•	•	•	•	•	•	•	•	•	•	•
S	US32	-	BRIGHT STAINLESS	•	•		•	•	•				•	•	•	•	•	•	•	•				
S	USP	600	PRIME COAT	•	•		•	•	•						•	•	•	•	•	•				
COATED FINISHES	S	S1	-	PAINTED ALUMINUM	•	•	•	•	•	•					•	•	•	•	•	•	•	•	•	
	S	S2	695	PAINTED BRASS	•	•	•	•	•	•					•	•	•	•	•	•	•	•	•	
	S	S3	694	PAINTED BRONZE	•	•	•	•	•	•					•	•	•	•	•	•	•	•	•	
	S	S4/BSP	693	BLACK SUEDE POWDER COATING	•	•	•	•	•	•				•	•	•	•	•	•	•	•	•	•	•
	S	S5	695	PAINTED DARK BRONZE	•	•	•	•	•	•					•	•	•	•	•	•	•	•	•	•
	S	S8/WSP	-	WHITE SUEDE POWDER COATING	•	•	•	•	•	•					•	•	•	•	•	•	•	•	•	•
S	AM	-	CRYSTAL CLEAR - ANTI-MICROBIAL	•	•	•	•	•	•					•	•	•	•	•	•	•	•	•	•	
ANODIZED FINISHES	S	C	-	CLEAR ANODIZED (US28)					•		•												•	
	C	ABH	-	CHAMPAGNE ANODIZED																			•	
	C	ABH	-	LIGHT BRONZE ANODIZED																			•	
	C	ABH	-	MEDIUM BRONZE ANODIZED																			•	
	S	D	-	DARK BRONZE ANODIZED																			•	
	C	ABH	-	STAT BRONZE ANODIZED																			•	
	S	B	-	BLACK ANODIZED																			•	
	C	ABH	-	GOLD ANODIZED																			•	
C	ABH	-	CUSTOM ANODIZED FINISHES																			•		

*** Custom Finishes Available - Contact Factory**

ABH® reserves the right to make changes or improvements in design, material, parts or specifications, and "discontinue" without notice.

Electrical Power Transfers – Cross Reference Chart

Electrical Power Transfers					
Type	ABH	Von Duprin*	Securitron*	Adams Rite*	Dorma*
PT	PT1000	EPT-10	CEPT-10	-	-
	PT1000SC	-	-	-	-
	PT1000EZ	EPT-10 CON	EL-CEPT	-	-
	PT1000SCEZ	-	-	-	-
	PT1200EZ	-	-	-	EPT-12C
	PT1200SCEZ	-	-	-	-
	PT200	EPT-2	-	-	-
	PT200EZ	EPT-2 CON	-	-	-
	PT200SC	-	-	-	-
	PT200SCEZ	-	-	-	-
Ethernet Cable	PTC5E	-	CEPT-C5E	-	-
	PT5PLUS	-	-	-	-
105° Door Swing	PT105	-	SEPT	-	ES105
	PT105SC	-	-	-	-
	PTR105	-	EPT	4612-1	-
	PTS105	-	-	-	-
180° Door Swing	PT180	-	-	-	-
	PT180SC	-	-	-	-
	PTR180	-	EPTL	4612-2	-
	PTR180SC	-	-	-	-
	PTS180	-	-	-	-
Molex® Connectors	"EZ" Option	CON	EL	-	-
Electrified Pivots – Intermediate					
Type	FCBP	Rixson*	Ives*	-	Dorma*
Intermediate, ¾" Offset, Concealed Monitoring Switch Only (No Power Transfer)	CM019	CSM19	-	-	-
Intermediate, ¾" Offset, Monitoring Switch & (8) 30 AWG Wire Power Transfer	CME019	CSEM19	-	-	-
Intermediate, ¾" Offset, (8) 30 AWG Wire Power Transfer	E019	EM19, ERM19	7215PT INT, 7226PT INT 7227PT INT	-	75200
Intermediate, 1-½" Offset, Large Inrush, (8) 30 AWG Wire Power Transfer	E019-1.5	EM19 X 1-½ OS	-	-	-
Intermediate, ¾" Offset, Large Inrush, (2) 18 AWG Wire Power Transfer	E019U	EM19U	-	-	-
Intermediate ¾" Offset, Use for Lead-Lined Doors, (8) 30 AWG Wire Power Transfer	EL019	EML19	-	-	-
Intermediate, ¾" Offset, (2) 18 AWG Wire Power Transfer	EL019U	-	-	-	-
Electrified Pivots – Center Hung					
Center Hung – Top Pivot Only, Monitoring Switch, (8) 30 AWG Wire Power Transfer	CME0340	-	-	-	-
Center Hung Top Pivot, Extra Heavy Duty, Monitoring Switch (8) 30 AWG Wire Power Transfer	CME0345	-	-	-	-
Center Hung, Top Pivot, Medium Duty, (8) 30 AWG Wire Power Transfer	E0320	-	-	-	-
Center Hung, Top Pivot, Heavy Duty, (8) 30 AWG Wire Power Transfer	E0340	EH340	-	-	E8062
Center Hung, Bottom Pivot, Heavy Duty, up to 500 lbs	E0345	EH345	-	-	-

* Brand names are trademarks or registered trademarks of their respective companies.

Electrical Power Transfer Units – PT1000

Standard Features

- **PT1000** provide the means of transferring electrical power or data from the frame to the door in a secure and discreet manner.
- Unit mortises into the edges of the door and frame and is completely concealed when the door is in the closed position.
- All metal construction including back boxes – No plastic parts
- Ideal for high abuse or heavy traffic situations
- UL/ULC Listed for use on fire doors
- Packaged individually with fasteners for wood or metal doors and frames.
- Standard Finishes:
 - US28 – Brushed Aluminum
 - S5 – Powder Coated Dark Bronze to match US10B Finish
- Approximate shipping weight: 3lbs
- Matches competitors' door and frame prep

Standard Applications

- 1- $\frac{3}{4}$ " – 2" Door thickness
- Cam lift hinges (up to $\frac{1}{2}$ " lift) – allowing for 180° door swing
- Butt hinges up to 5" – allowing for 180° door swing
- 5 $\frac{1}{2}$ " butt hinges – allowing for 130° door swing (1- $\frac{3}{4}$ " Thick Doors Only)
- 6" butt hinges – allowing 110° door swing (1- $\frac{3}{4}$ " Thick Doors Only)
- Up to $\frac{3}{4}$ " offset pivots – allowing for 180° door swing (1- $\frac{3}{4}$ " Thick Doors Only)
- Not for use with swing clear hinges, pocket pivots, butt hinges larger than 6", 1 $\frac{1}{2}$ " offset pivots or center hung doors

Options

- Security Fasteners (**Suffix "SEC"**) – Pin-in Torx fasteners are supplied in lieu of standard for all exposed fasteners. Specify frame and door material.
- Available with Molex® plug-in connectors option (**Suffix "EZ"**) – see picture inset
- Available for swing clear applications (**Suffix-"SC"**) see picture insert.

PT1000

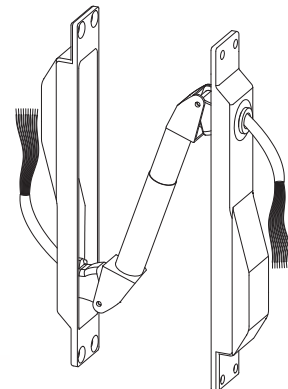


EZ Connect
Molex® Connectors
(optional)



PT1000

– (10) 24 AWG Wires
– Max. Rating: 24VDC, 1A



PT1000EZ, PT100, PT1000SCEZ

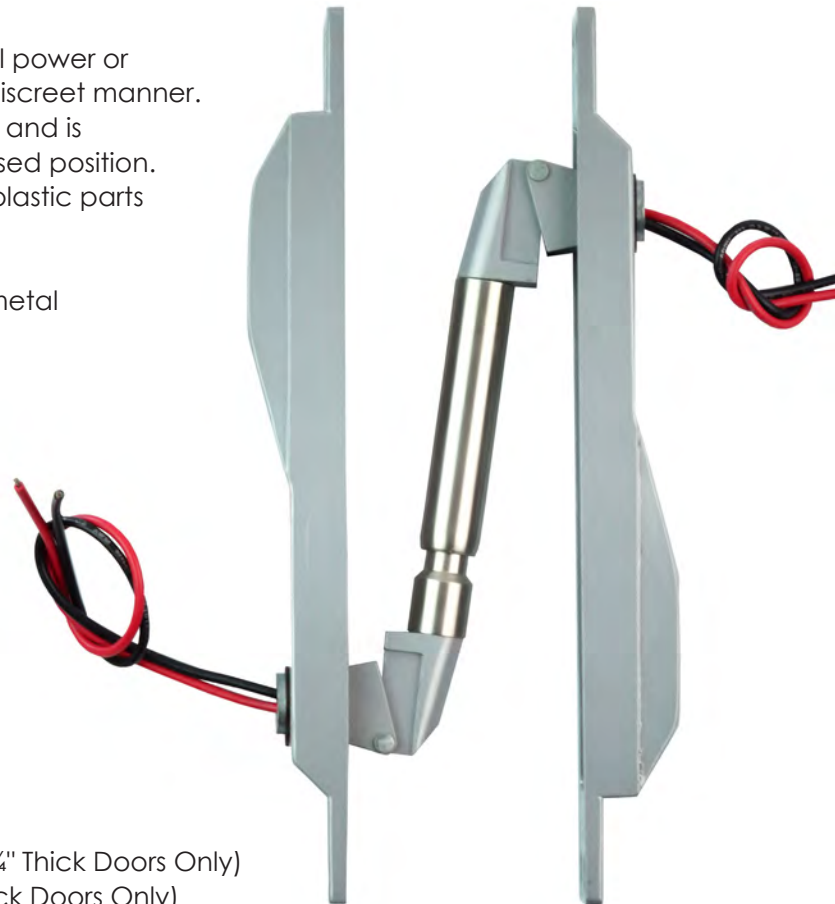


Electrical Power Transfer Units – PT200

FCPT200

Standard Features

- **PT200** provide the means of transferring electrical power or data from the frame to the door in a secure and discreet manner.
- Unit mortises into the edges of the door and frame and is completely concealed when the door is in the closed position.
- All metal construction including back boxes – No plastic parts
- Ideal for high abuse or heavy traffic situations
- UL/ULC Listed for use on fire doors
- Packaged individually with fasteners for wood or metal doors and frames.
- Standard Finishes:
 - US28 – Brushed Aluminum
 - S5 – Powder Coated Dark Bronze to match US10B Finish
- Approximate shipping weight: 3lbs
- Matches competitors' door and frame prep



Standard Applications

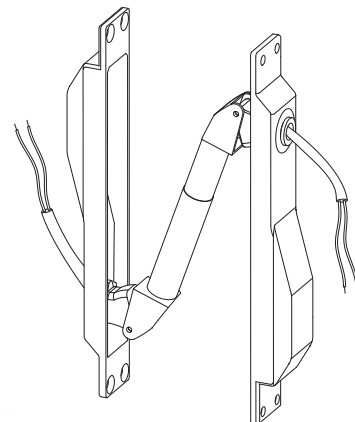
- 1-¾" – 2" Door thickness
- Cam lift hinges (up to ½" lift) – allowing for 180° door swing
- Butt hinges up to 5" – allowing for 180° door swing
- 5½" butt hinges – allowing for 130° door swing (1-¾" Thick Doors Only)
- 6" butt hinges – allowing 110° door swing (1-¾" Thick Doors Only)
- Up to ¾" offset pivots – allowing for 180° door swing (1-¾" Thick Doors Only)
- Not for use with swing clear hinges, pocket pivots, butt hinges larger than 6", 1½" offset pivots or center hung doors

PT200

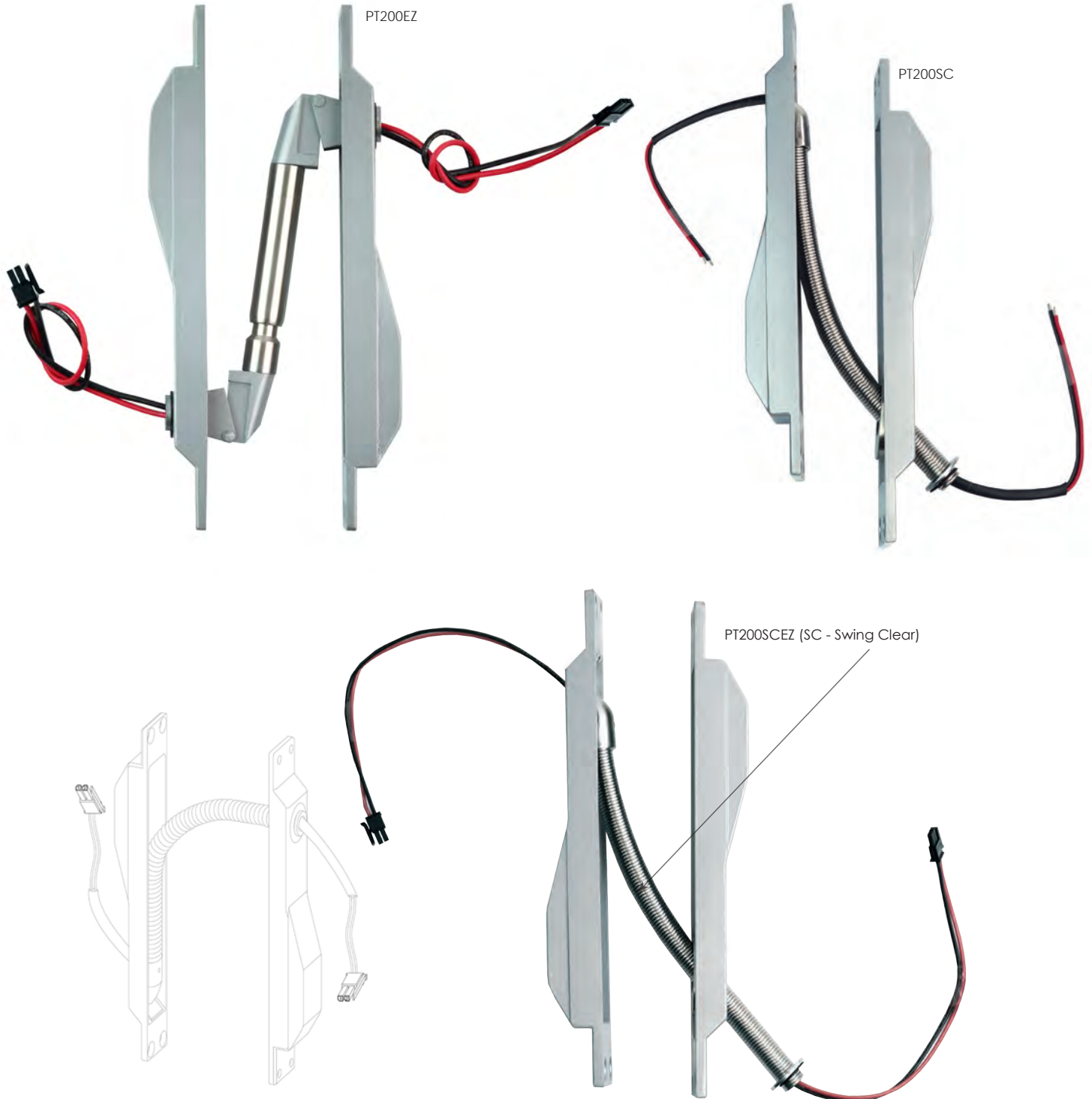
– (2) 18 AWG Wires
– Max. Rating: 24 VDC, 5A or 120 VAC NEC Class 3

Options

- Security Fasteners (**Suffix "SEC"**) – Pin-in Torx fasteners are supplied in lieu of standard for all exposed fasteners. Specify frame and door material.
- PT200 available with Molex® plug-in connectors option (**Suffix "EZ"**) – see picture inset
- PT200 available for swing clear applications (**Suffix "SC"**) see picture insert.



PT200EZ, PT200SC, PT200SCEZ



Electrical Power Transfer Units –PT1200EZ

■ Standard Features

- **PT1200EZ** provide the means of transferring electrical power or data from the frame to the door in a secure and discreet manner.
- Provided with Molex® Mini fit Jr. Connectors – Standard
- Unit mortises into the edges of the door and frame and is completely concealed when the door is in the closed position.
- All metal construction including back boxes – No plastic parts
- Ideal for high abuse or heavy traffic situations
- UL/ULC Listed for use on fire doors
- Packaged individually with fasteners for wood or metal doors and frames.
- Standard Finishes:
 - US28 – Brushed Aluminum
 - S5 – Powder Coated Dark Bronze to match US10B Finish
- Approximate shipping weight: 3lbs
- Patent Pending
- Matches competitors' door and frame prep

■ Standard Applications

- 1-¾"-2" Door thickness
- Cam lift hinges (up to ½" lift) – allowing for 180° door swing
- Butt hinges up to 5" – allowing for 180° door swing
- 5½" butt hinges – allowing for 130° door swing (1-¾" Thick Doors Only)
- 6" butt hinges – allowing 110° door swing (1-¾" Thick Doors Only)
- Up to ¾" offset pivots – allowing for 180° door swing (1-¾" Thick Doors Only)
- Not for use with swing clear hinges, pockets pivot, butt hinges larger than 6", 1½" offset pivots or center hung doors

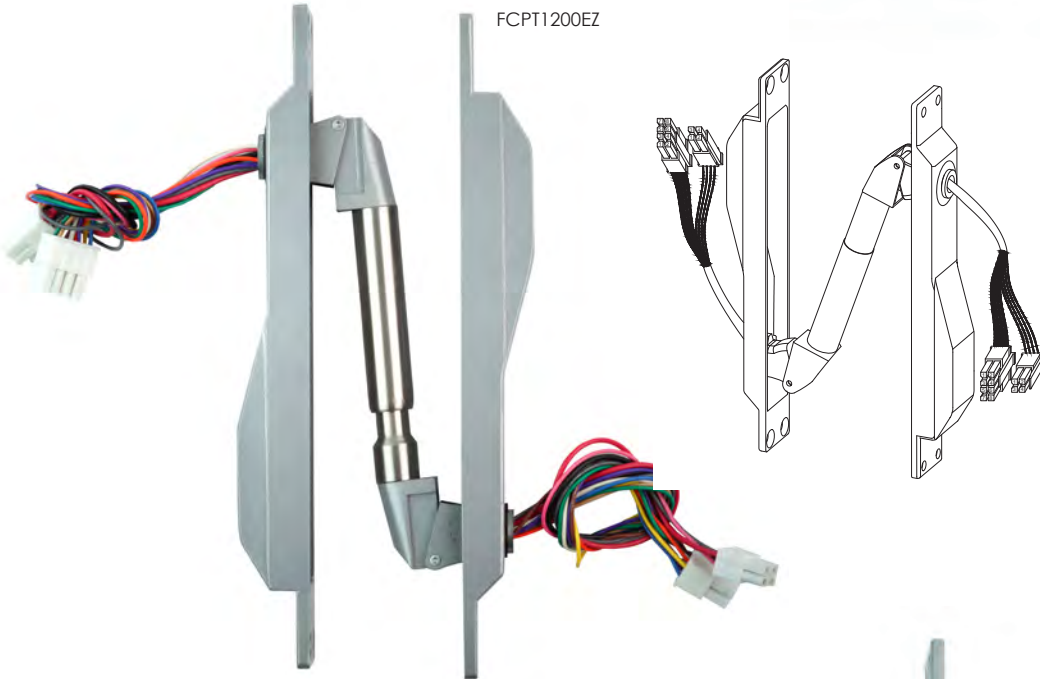
■ Options

- Security Fasteners (**Suffix "SEC"**) – Pin-in Torx fasteners are supplied in lieu of standard for all exposed fasteners. Specify frame and door material.
- PT200 available for swing clear applications (**Suffix-"SC"**) see picture insert.

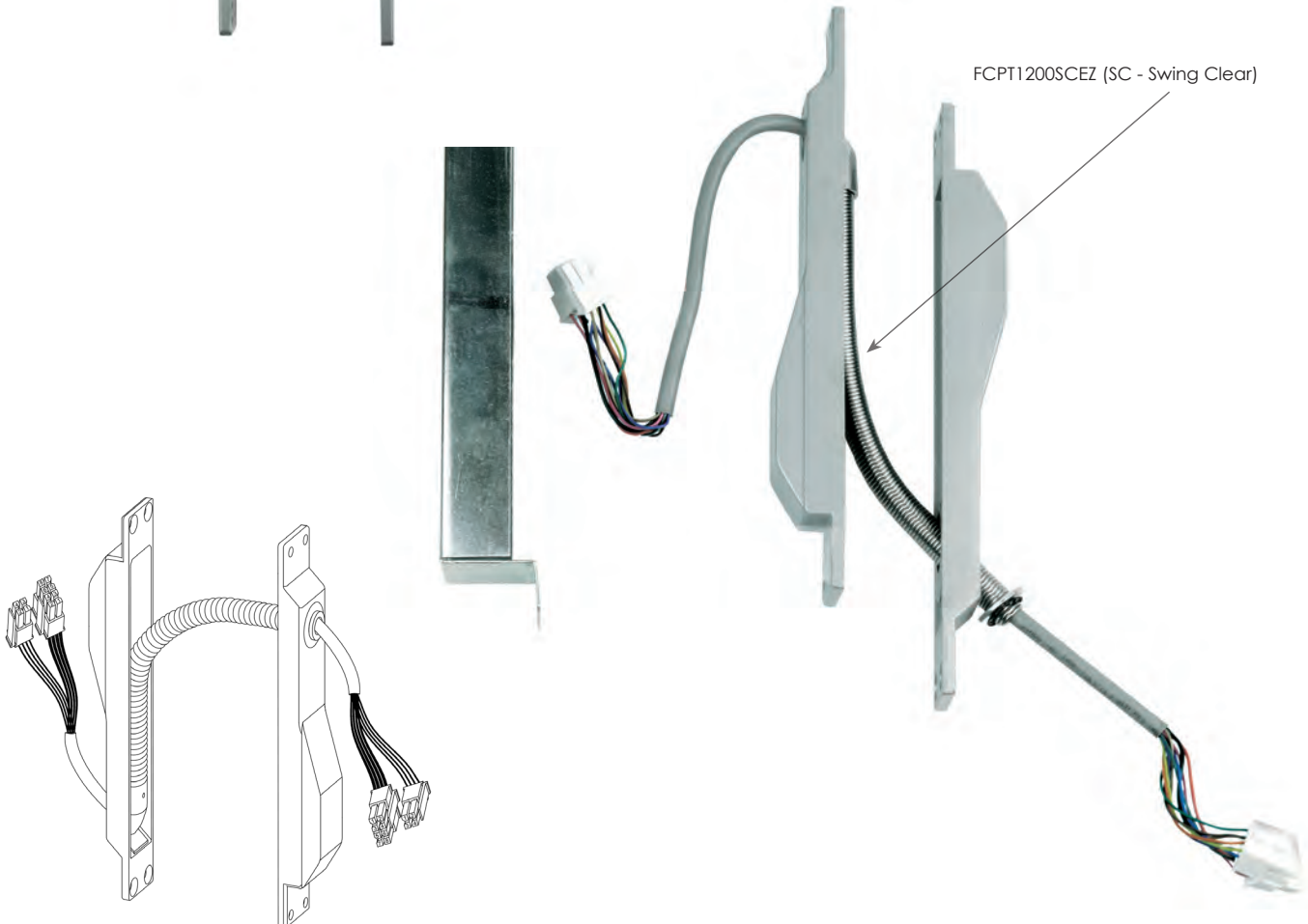
PT1200EZ

– (2) 18 AWG WIRES–MAX. RATING 24VDC, 5A OR
120VAC NEC CLASS 3
– (10) 24 AWG WIRES–MAX. RATING: 24VDC, 1A

FCPT1200EZ



FCPT1200SCEZ (SC - Swing Clear)



Electrical Power Transfer Units –PT105SC/PT180SC

PT105/PT180

PT105/PT105-EPT180

Standard Features

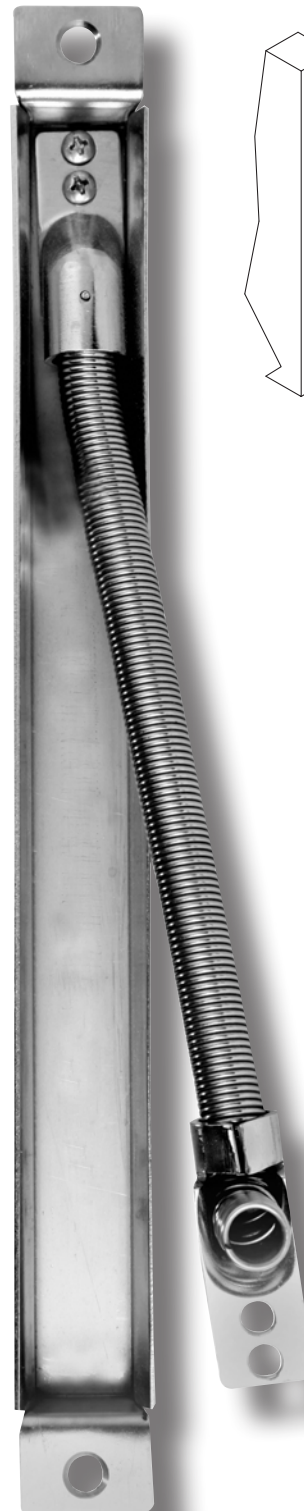
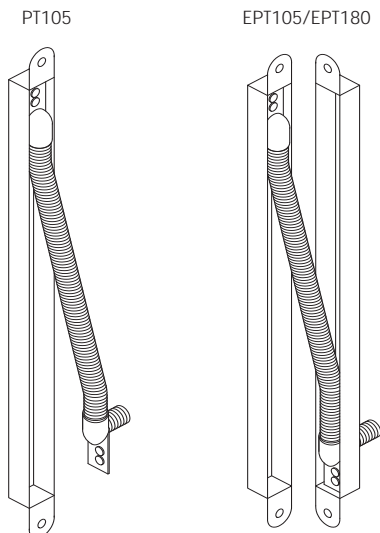
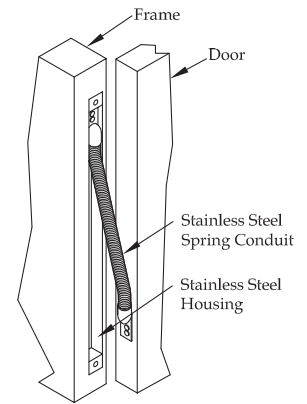
- These models provide housing for running wires from the frame to the door in a secure and discreet manner
- Square mounting tabs
- Stainless steel housing and spring conduit
- Spring conduit fits wire bundles up to ¹⁵/₁₆" thick
- Shipping weight: 1lb.
- Works with most butt hinges, continuous hinges and ³/₄" offset pivots
- Standard finishes: US32D OR US10B – Contact factory for custom finishes.

Options

- **SEC** – Security fasteners
- **SC** – For swing clear applications
- **2WIRE** – Provided with (2) 18 AWG wires
- **10WIRE** – Provided with (10) 24 AWG wires
- **EZ** – Connect Molex® Plug-in Connectors for installation ease (Only order with 2 and 10 wire option)

Models Available

- **PT180** – 180° Maximum door swing, square mounting tabs
- **PT105** – 105° Maximum door swing, square mounting tabs



Electrical Power Transfer Units – PTR105SC/PTR180SC

PTR105/PTR180

Standard Features

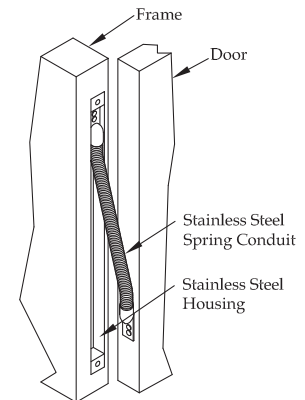
- These models provide housing for running wires from the frame to the door in a secure and discreet manner
- Square mounting tabs
- Stainless steel housing and spring conduit
- Spring conduit fits wire bundles up to $1\frac{5}{16}$ " thick
- Shipping weight: 1lb.
- Works with most butt hinges, continuous hinges and $\frac{3}{4}$ " offset pivots
- Standard finishes: US32D OR US10B – Contact factory for custom finishes.

Options

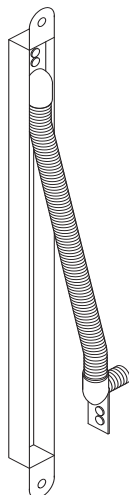
- **SEC** – Security fasteners
- **SC** – For swing clear applications
- **2WIRE** – Provided with (2) 18 AWG wires
- **10WIRE** – Provided with (10) 24 AWG wires
- **EZ** – Connect Molex® Plug-in Connectors for installation ease (Only order with 2 and 10 wire option)

Models Available

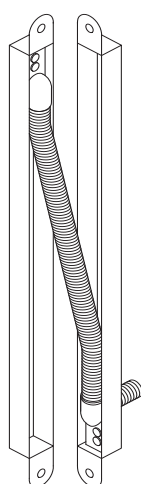
- **PT180** – 180° Maximum door swing, square mounting tabs
- **PT105** – 105° Maximum door swing, square mounting tabs



PTR105



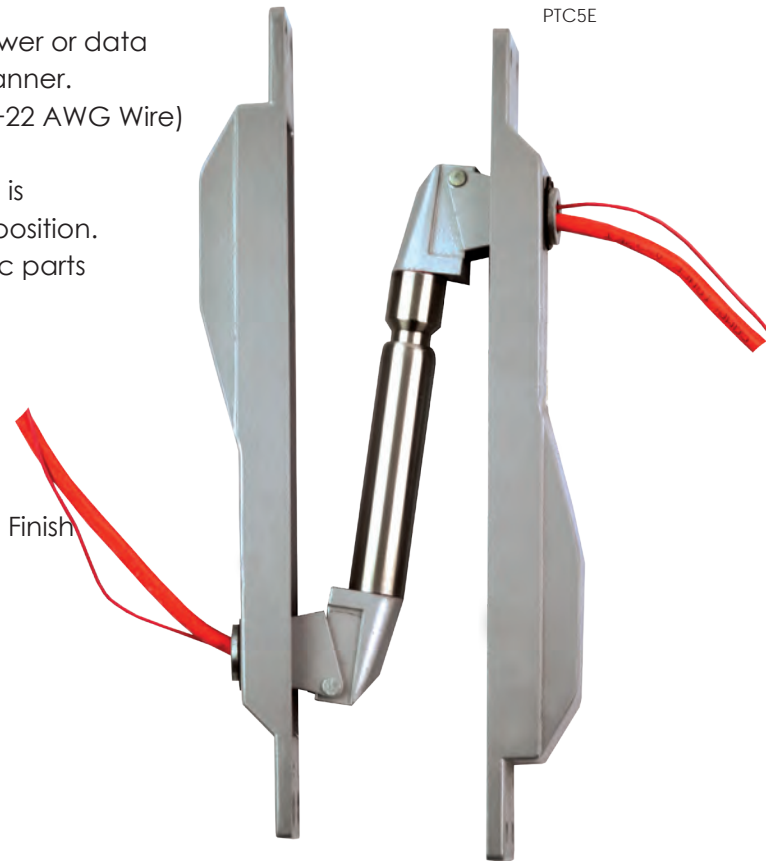
PTR105/EPT180



Electrical Power Transfer Units – PTC5E

Standard Features

- PTC5E provide the means of transferring electrical power or data from the frame to the door in a secure and discreet manner.
- Supplied with Ethernet cable, (8–24 AWG Wire) and (1–22 AWG Wire)
- Supplied with RJ45 Connectors
- Unit mortises into the edges of the door and frame and is completely concealed when the door is in the closed position.
- All metal construction including back boxes – No plastic parts
- Ideal for high abuse or heavy traffic situations
- UL/ULC Listed for use on fire doors
- Packaged individually with fasteners for wood or metal doors and frames.
- Standard Finishes:
 - US28 – Brushed Aluminum
 - S5 – Powder Coated Dark Bronze to match US10B Finish
- Approximate shipping weight: 3lbs
- Patent Pending
- Matches competitors' door and frame prep



Standard Applications

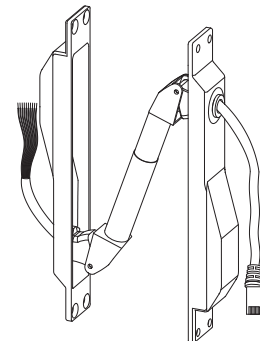
- 1–¾"–2" Door thickness
- Cam lift hinges (up to ½" lift) – allowing for 180° door swing
- Butt hinges up to 5" – allowing for 180° door swing
- 5½" butt hinges – allowing for 130° door swing (1–¾" Thick Doors Only)
- 6" butt hinges – allowing 110° door swing (1–¾" Thick Doors Only)
- Up to ¾" offset pivots – allowing for 180° door swing (1–¾" Thick Doors Only)
- Not for use with swing clear hinges, pocket pivots, butt hinges larger than 6", 1½" offset pivots or center hung doors

PTC5E

– CAT-5E Standard Ethernet Cabel,
(Max. 350 MHz), (1) 22 AWG Wire; MAX
Rating: 24 VDC, 1A

Options

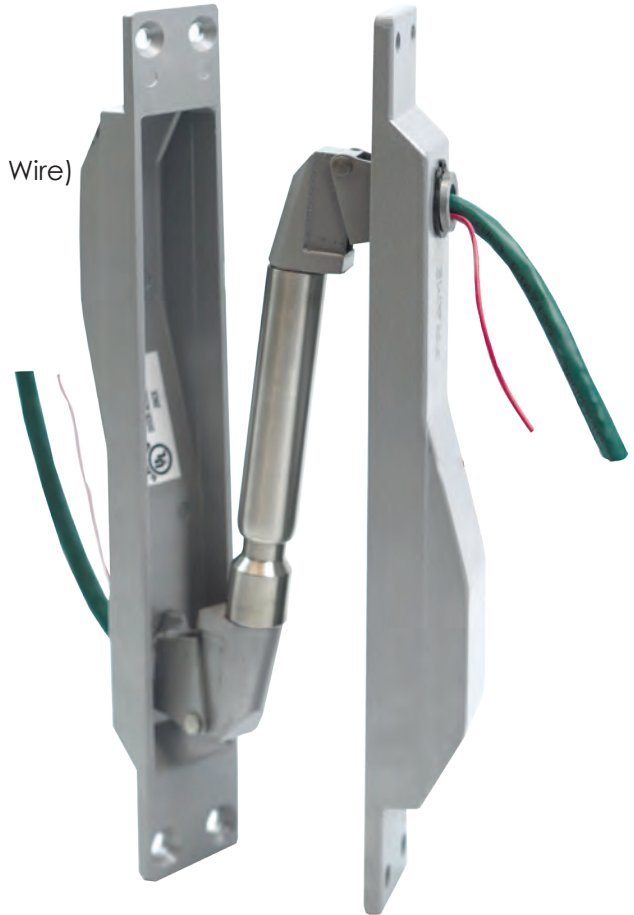
- Security Fasteners (**Suffix "SEC"**) – Pin-in Torx fasteners are supplied in lieu of standard for all exposed fasteners. Specify frame and door material.



Electrical Power Transfer Units – PT6PLUS

Standard Features

- **PT6PLUS** provide the means of transferring electrical power or data from the frame to the door in a secure and discreet manner.
- Supplied with Ethernet cable, (8–24 AWG Wire) and (1–22 AWG Wire)
- Supplied with RJ45 Connectors
- Unit mortises into the edges of the door and frame and is completely concealed when the door is in the closed position.
- All metal construction including back boxes – No plastic parts
- Ideal for high abuse or heavy traffic situations
- UL/ULC Listed for use on fire doors
- Packaged individually with fasteners for wood or metal doors and frames.
- Standard Finishes:
 - US28 – Brushed Aluminum
 - S5 – Powder Coated Dark Bronze to match US10B Finish
- Approximate shipping weight: 3lbs
- Patent Pending
- Matches competitors' door and frame prep



Standard Applications

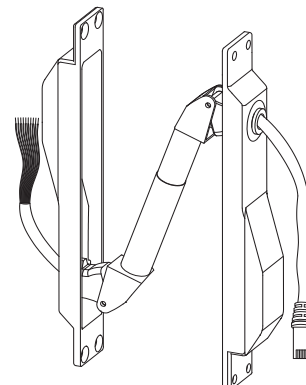
- 1–¾" –2" Door thickness
- Cam lift hinges (up to ½" lift) – allowing for 180° door swing
- Butt hinges up to 5" – allowing for 180° door swing
- 5½" butt hinges – allowing for 130° door swing (1–¾" Thick Doors Only)
- 6" butt hinges – allowing 110° door swing
- Up to ¾" offset pivots – allowing for 180° door swing (1–¾" Thick Doors Only)
- Not for use with swing clear hinges, pocket pivots, butt hinges larger than 6", 1½" offset pivots or center hung doors

Options

- Security Fasteners (**Suffix "SEC"**) – Pin-in Torx fasteners are supplied in lieu of standard for all exposed fasteners. Specify frame and door material.

PTC6PLUS

– CAT 6 Standard Ethernet Cabel, (Max. 350 MHz), (1) 22 AWG Wire; MAX Rating: 24 VDC, 1A



Intermediate Pivots – Electrified

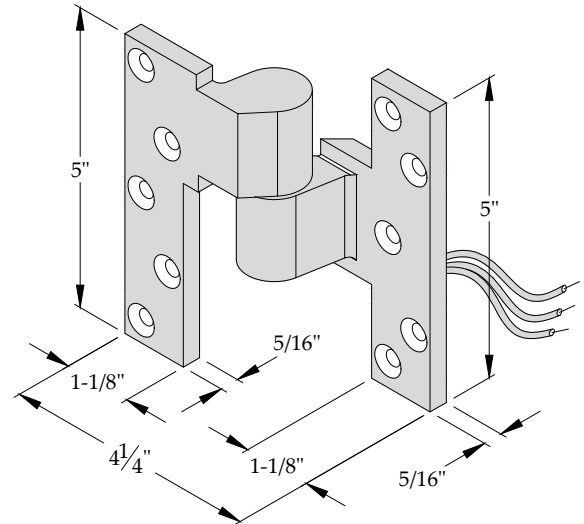
CM019 Intermediate Pivot – Electrified – 3/4" Offset

Standard Features

- Concealed door position monitor switch included
 - Monitor Switch (3) 22 AWG Wires
- Mortises into side jamb and hinge edge of door
- Handed – Specify LH or RH
- **For use with 3/4" offset pivot sets**
- UL listed for use on 3-hour fire rated doors – **Standard**
- Heavy duty stainless steel needle bearings
- Stainless steel base material

Options

- EZ – EZ Connect Molex® Connectors for installation ease
- SEC – Security fasteners



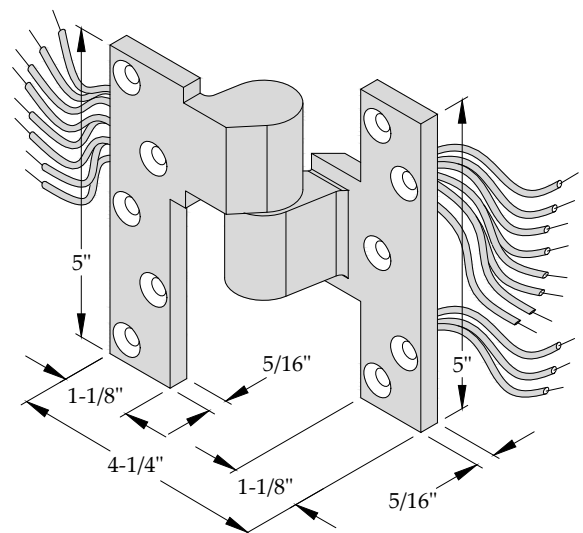
CME019 Intermediate Pivot – Electrified – 3/4" Offset

Standard Features

- Provides electrical power transfer from the frame to the door
 - (8) 30 AWG Wires
 - Monitor Switch (3) 22 AWG Wires
- Concealed door position monitor switch included
- Mortises into side jamb and hinge edge of door
- Handed – Specify LH or RH
- **For use with 3/4" offset pivot sets**
- UL listed for use on 3-hour fire rated doors – **Standard**
- Heavy duty stainless steel needle bearings
- Stainless steel base material

Options

- EZ – EZ Connect Molex® Connectors for installation ease
- SEC – Security fasteners

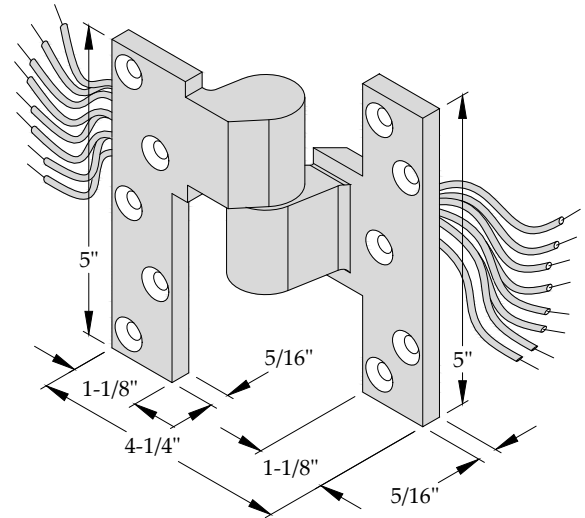


Intermediate Pivots – Electrified

E019 Intermediate Pivot – Electrified – 3/4" Offset

Standard Features

- Provides electrical power transfer from the frame to the door
 - (8) 30 AWG Wires
- Mortises into side jamb and hinge edge of door
- Handed – Specify LH or RH
- For use with 3/4" offset pivot sets
- UL listed for use on 3-hour fire rated doors – **Standard**
- Heavy duty stainless steel needle bearings
- Stainless steel base material



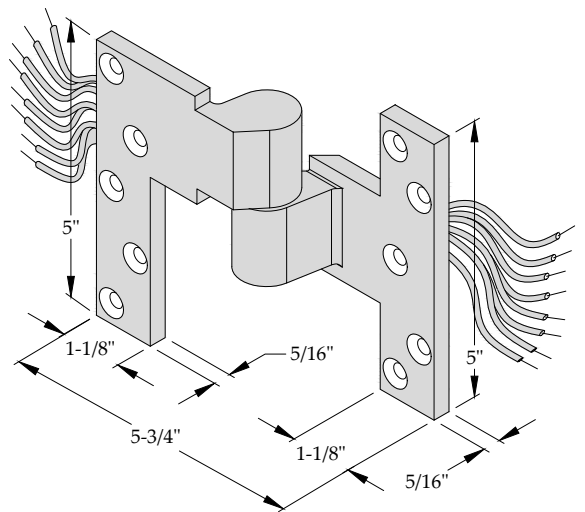
Options

- EZ – EZ Connect Molex® Connectors for installation ease
- SEC – Security fasteners

E019-1.5 Intermediate Pivot – Electrified – 3/4" Offset

Standard Features

- Provides electrical power transfer from the frame to the door
 - (8) 30 AWG Wires
- Mortises into side jamb and hinge edge of door
- Handed – Specify LH or RH
- For use with 3/4" offset pivot sets
- UL listed for use on 3-hour fire rated doors – **Standard**
- Heavy duty stainless steel needle bearings
- Stainless steel base material



Options

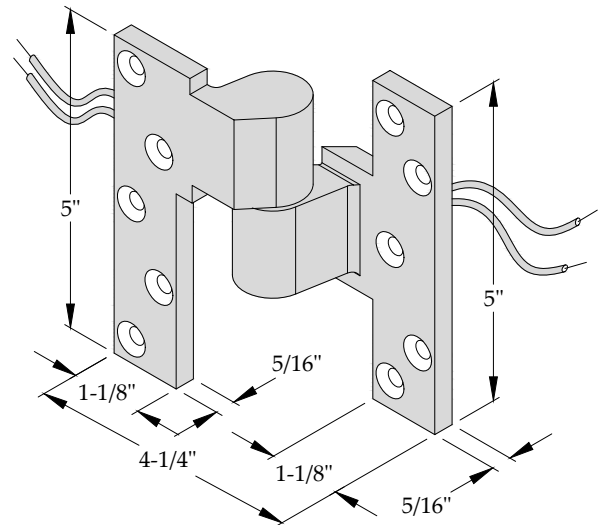
- EZ – EZ Connect Molex® Connectors for installation ease
- SEC – Security fasteners

Intermediate Pivots – Electrified

E019U Intermediate Pivot – Electrified – 3/4" Offset

Standard Features

- Provides electrical power transfer from the frame to the door
 - Large inrush current
 - (2) 18 AWG Wires
 - Each wire is rated a 2 amps continuously
- Mortises into side jamb and hinge edge of door
- Handed – Specify LH or RH
- For use with 3/4" offset pivot sets
- UL listed for use on 3-hour fire rated doors – **Standard**
- Heavy duty stainless steel needle bearings
- Stainless steel base material



Options

- EZ – EZ Connect Molex® Connectors for installation ease
- SEC – Security fasteners

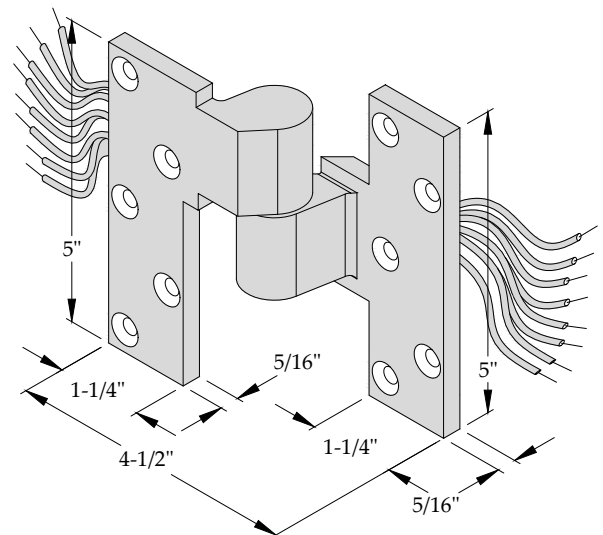
EL019 Intermediate Pivot – Electrified 3/4" Offset

Standard Features

- Provides electrical power transfer from the frame to the door
 - (8) 30 AWG Wires
- Mortises into side jamb and hinge edge of door
- Handed – Specify LH or RH
- For use with 3/4" offset lead-lined pivot sets
- UL listed for use on 3-hour fire rated doors – **Standard**
- Heavy duty stainless steel needle bearings
- Stainless steel base material

Options

- EZ – EZ Connect Molex® Connectors for installation ease
- SEC – Security fasteners

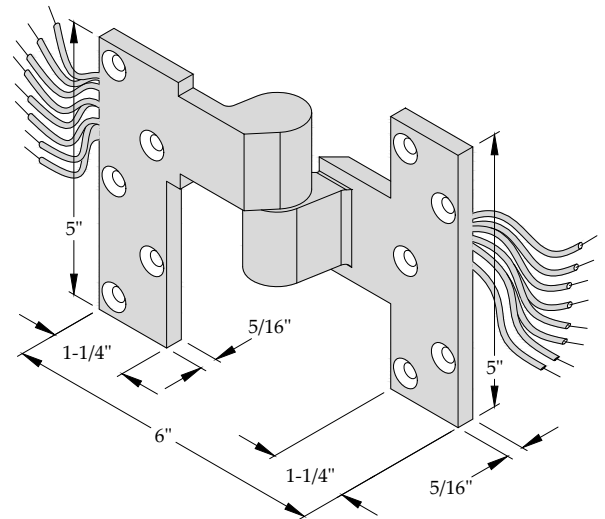


Intermediate Pivots – Electrified

EL019-1.5 Intermediate Pivot – Electrified 1-½” Offset

Standard Features

- Provides electrical power transfer from the frame to the door
 - (8) 30 AWG Wires
- Mortises into side jamb and hinge edge of door
- Handed – Specify LH or RH
- For use with 1-½” offset lead-lined pivot sets
- UL listed for use on 3-hour fire rated doors – **Standard**
- Heavy duty stainless steel needle bearings
- Stainless steel base material



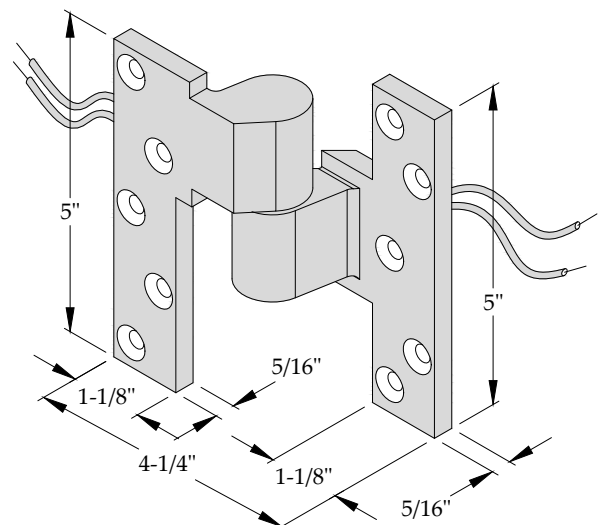
Options

- EZ – EZ Connect Molex® Connectors for installation ease
- SEC – Security fasteners

EL019U Intermediate Pivot – Electrified ¾” Offset

Standard Features

- Provides electrical power transfer from the frame to the door
 - Large inrush current
 - (2) 18 AWG Wires
 - Each wire is rated at 2 amps continuously
- Mortises into side jamb and hinge edge of door
- Handed – Specify LH or RH
- For use with ¾” offset lead-lined pivot sets
- UL listed for use on 3-hour fire rated doors – **Standard**
- Heavy duty stainless steel needle bearings
- Stainless steel base material



Options

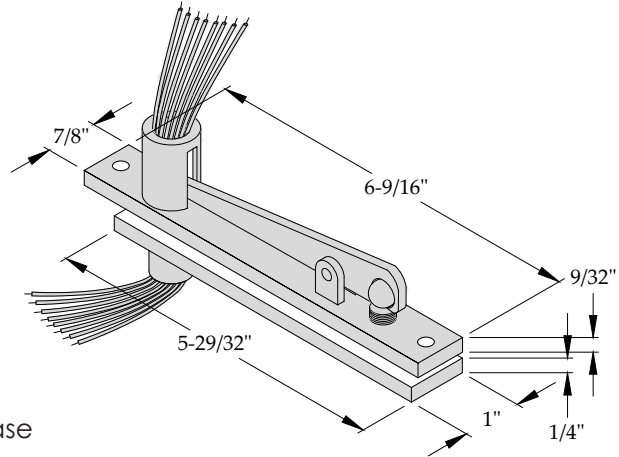
- SEC – Security fasteners

Center Hung Pivots – Electrified

E0320 Top Pivot – Electrified – Center Hung

Standard Features

- Provides electrical power transfer from the frame to the door
 - (8) 30 AWG Wires
- **Medium Duty**
- Mortises into header and top of the door
- Dress plate provided for jamb portion
- Non-handed



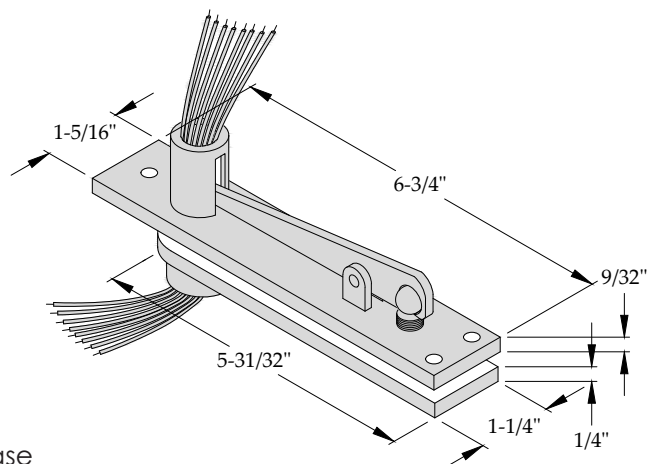
Options

- EZ – EZ Connect Molex® Connectors for installation ease
- SEC – Security fasteners

E0340 Top Pivot – Electrified – Center Hung

Standard Features

- Provides electrical power transfer from the frame to the door
 - (8) 30 AWG Wires
- **Heavy duty**
- Mortises into header and top of the door
- Dress plate provided for jamb portion
- Non-handed



Options

- EZ – EZ Connect Molex® Connectors for installation ease
- SEC – Security fasteners

Center Hung Pivots – Electrified

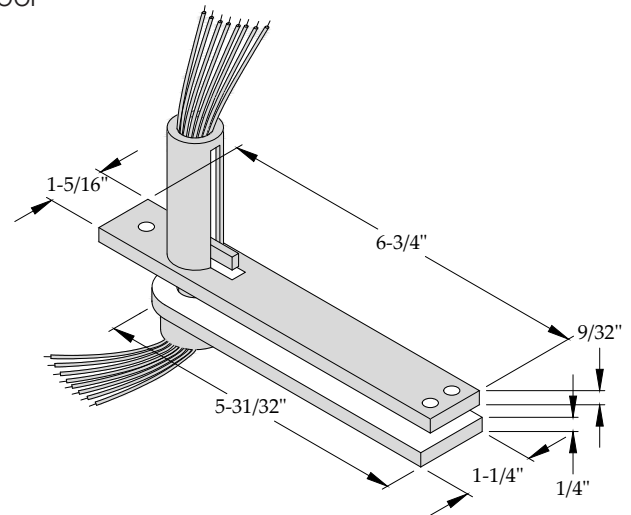
E0345 Top Pivot – Electrified – Center Hung

■ Standard Features

- Provides electrical power transfer from the frame to the door
 - (8) 30 AWG Wires
- **Extra Heavy Duty**
- Mortises into header and top of the door
- Dress plate provided for jamb portion
- Non-handed

■ Options

- **EZ** – EZ Connect Molex® Connectors for installation ease
- **SEC** – Security fasteners

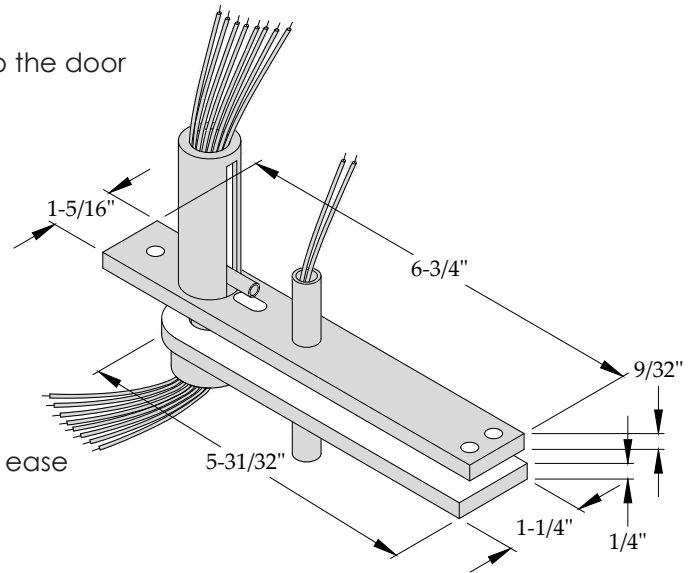


Electrified Pivots

CME0345 Electrified – Center Hung

Standard Features

- Provides electrical power transfer from the frame to the door
 - (8) 30 AWG Wires
- **Extra Heavy Duty**
- Mortises into header and top of the door
- Dress plate provided for jamb portion
- Non-handed



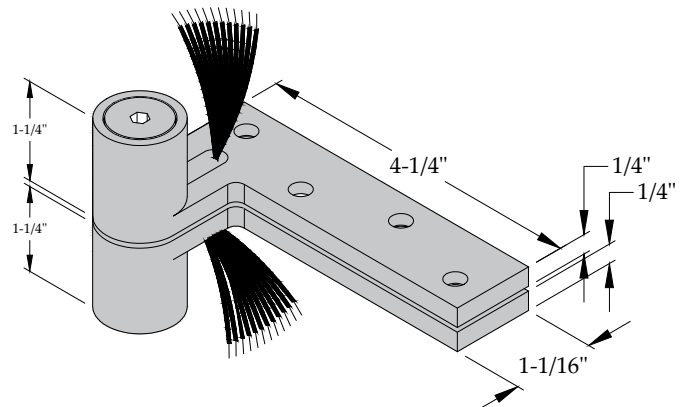
Options

- EZ – EZ Connect Molex® Connectors for installation ease
- SEC – Security fasteners

EEX0180 Top Pivot – Electrified – 3/4 Offset

Standard Features

- Provides electrical power transfer from the frame to the door
 - (12) 30 AWG Wires
- **Medium Duty**
- Mortises into header and top of the door
- Dress plate provided for jamb portion
- Non-handed



Options

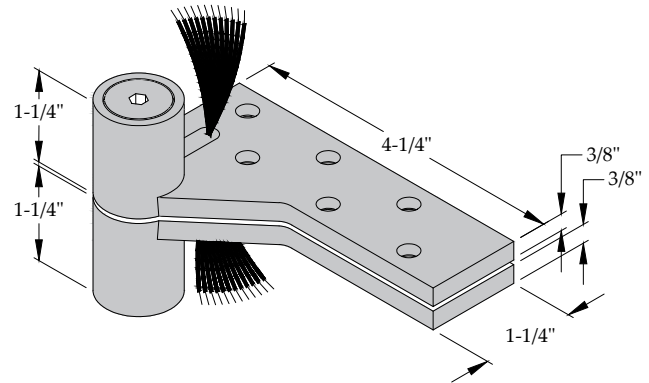
- EZ – EZ Connect Molex® Connectors for installation ease
- SEC – Security fasteners

Electrified Pivots, Top & Pocket Door Pivots

EEXL0180 Top Pivot – Electrified – 3/4 Offset

Standard Features

- Provides electrical power transfer from the frame to the door
 - (12) 30 AWG Wires
- **Heavy Duty**
- Mortises into header and top of the door
- Dress plate provided for jamb portion
- Non-handed



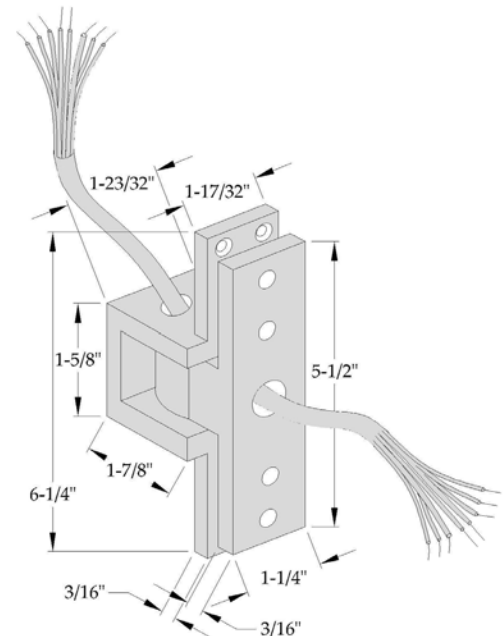
Options

- EZ – EZ Connect Molex® Connectors for installation ease
- SEC – Security fasteners

E0519 Pocket Door Pivot – Electrified

Standard Features

- Pivot point is located inside the frame
- Allows door to swing into a pocket in the frame at a right angle
- When the door is in the pocket, it is completely clear of the door opening and flush with adjacent wall
- Maximum door swing is 90°
- Minimum three pocket pivots per door 60" - 90" tall
- Add one pocket pivot for each additional 30" door height
- **Maximum door load per pivot - 90 pounds**
- Non-handed
- UL listed for use on 3-hour fire rated doors - Standard
- Heavy duty stainless steel needle bearings
- Stainless steel base material
- Average weight per unit = 3 lbs



Options

- EZ – EZ Connect Molex® Connectors for installation ease
- SEC – Security fasteners

Electrified Hinge Options

EA12-EZ – Accessible Thru– Wire

■ Standard Features

- Handing: 83"- 95" Non-Handed, 120" requires handing.
- **Example: A240 HDC 83 EA12 41-½"** from top of hinge to centerline, RH.
- Availability: A110, A110WT, A111, A111WT, A120, A140, A150, A160, A170, A240, A260, A270, A280.
- Warranty: Lifetime.



IMPORTANT: ABH does not recommend preparing door and frame for ABH before receipt of hinge. If door and frame must be prepared before receipt of hinge, contact factory for special template.

OPTIONS – Electrified Continuous Hinge

OPTIONS

■ **PT** – Cut-out Prep for Power Transfer (For Aluminum or Stainless Steel Hinges)

- Hinge is prepped for electrical power transfer unit
(Specify PT model being used and location on hinge)
-

■ **TW** – Concealed Electrical Thru-Wire with EZ Connect

(For Stainless Steel Hinges)

- Wires are supplied **without** Molex® Plug-in Connectors for installation ease
 - **EZ4**–(4) 30 AWG wires
 - **EZ8**–(8) 30 AWG wires
 - **EZ12**–(12) 30 AWG wires
-

■ **EZ** – Concealed Electrical Thru-Wire with EZ Connect

(For Stainless Steel Hinges)

- Wires are supplied **with** Molex® Plug-in Connectors for installation ease
 - **EZ4**–(4) 30 AWG wires
 - **EZ8**–(8) 30 AWG wires
 - **EZ12**–(12) 30 AWG wires
-

■ **EM** – Concealed Electrical Magnetic Monitoring Switch

(For Aluminum Hinges)

■ **ES** – Exposed Electrical Monitoring Switch

(For Aluminum Hinges)

■ **R** – EA12-4 Concealed Electrical Thru-Wire Section for Retro-Fit

(For Aluminum Hinges)

- 4" section that is sold separately to retrofit to an existing opening
- Specify hing model, finish and 12 wire only.
Example part number: R-EA12-4, R-EA12EZ-4 – Includes EZ Molex® Connectors

CONTACT US

ORDERS

orders@abhmfg.com

Send all Purchase Orders or questions regarding existing orders.

QUOTES

quotes@abhmfg.com

Send all Quote Request or questions regarding existing quotes.

ACCOUNTS RECEIVABLES

ar@abhmfg.com

Send all questions regarding invoices, statements, credit issues or RMA requests.

CUSTOMER SERVICE

cs@abhmfg.com

Send all customer service related requests.

If you have any other questions regarding ABH products, please call 630-875-9900.



Architectural Builders Hardware Manufacturing, Inc.
1222 Ardmore Avenue, Itasca, IL 60143
630-875-9900 • (800) 932-9224
www.abhmfg.com



ALUMINUM

CONTINUOUS GEARED HINGES

Mini Product Catalog

Table of Contents

■ STANDARD FINISHES	1
■ ALUMINUM CONTINUOUS GEARED HINGE REFERENCE CHART	2
■ GENERAL INFORMATION	3
■ PARTS	5
■ FASTENERS	6
■ ELECTRICAL OPTIONS	7
■ NON-ELECTRICAL OPTIONS	9
■ DOOR CLEARANCE CHART	11
■ PARTS	12
■ HINGE TYPES	13
ALUMINUM CONTINUOUS GEARED HINGES	
■ FULL MORTISE HINGES	
A110HD, A110LL / A110WTHD	14
A111HD, A111LL / A111WTHD	15
A120WTHD / A130HD	16
A135HD / A140HD, A140LL	17
A150HD, A150LL / A160HD, A160LL	18
A440HD, A240LL / A260HD, A260LL	19
A270HD, A270LL / A280HD, A280LL	20
A410HD, A410LL	21
■ DOUBLE ACTING HINGES	
A507 / A507 -AT	22
■ HALF SURFACE HINGES	
A211HD / A213HD	23
A450HD	24
A460HD / A530HD	25
A540HD / A550HD	26
■ FULL SURFACE HINGES	
A210HD / A570HD	27
A571HD / A575HD	28

Standard Finishes

				ABH PRODUCTS																										
S - Standard C - Custom		ANSI #	Color Name	Door Pulls & Custom Pulls	Rescue Hardware	Electrical Power Transfers	Locking Ladder Pulls	Custom Strikes	Electromagnetic Door Holders	Surface Bolts, Slide Bolts, Vertical Rod Protectors & Covers	Roller Latches	Coordinators	Flush Bolts	Wall Stops, Floor Stops, Applied Stops, Pipe Stops	Overhead Holders & Stops	Hospital Push/Pulls	Cam Lift Hinges & Specialty Hinges	Custom Slim Line Pivots	Pivots & Pivot Sets	Stainless Steel Door Edge Guards	Stainless Steel Pin & Barrel Continuous Hinges	Aluminum Geared Hinges								
PLATED FINISHES	S	US3	605/632	BRIGHT BRASS	•	•		•	•	•				•	•	•	•	•	•	•	•									
	S	US4	606/633	SATIN BRASS	•	•		•	•	•				•	•	•	•	•	•	•	•	•								
	C	US5	609/638	BRASS SATIN OXIDIZED	•	•		•	•	•					•	•	•	•	•	•	•	•								
	S	US9	611	BRIGHT BRONZE - CLEAR COATED	•	•		•	•	•						•	•	•	•	•	•	•	•							
	S	US10	612/639	SATIN BRONZE	•	•		•	•	•				•	•	•	•	•	•	•	•	•	•							
	C	US10A	641	ANTIQUÉ BRONZE LACQUERED	•	•		•	•	•						•	•	•	•	•	•	•	•							
	S	US10B	613/640	BRONZE OILED	•	•		•	•	•					•	•	•	•	•	•	•	•	•							
	C	US14	618	BRIGHT NICKEL (US32)	•	•		•	•	•							•	•	•	•	•	•	•							
	C	US14B	-	BRIGHT BLACK NICKEL	•	•		•	•	•								•	•	•	•	•	•							
	C	US15	619/646	SATIN NICKEL	•	•		•	•	•								•	•	•	•	•	•							
	C	US15A	620/647	SATIN NICKEL ANTIQUÉ OXIDIZED	•	•		•	•	•								•	•	•	•	•	•							
	C	US17A	621	SATIN BLACK NICKEL CLEAR COAT	•	•		•	•	•								•	•	•	•	•	•							
	S	US26	625/651	BRIGHT CHROME (US32)	•	•		•	•	•								•	•	•	•	•	•							
	C	US26D	626/652	SATIN CHROME (US32D)	•	•		•	•	•				•				•	•	•	•	•	•							
	S	US32D	630	SATIN STAINLESS STEEL	•	•		•	•	•				•	•	•	•	•	•	•	•	•	•	•						
S	US32	-	BRIGHT STAINLESS	•	•		•	•	•				•	•	•	•	•	•	•	•	•	•	•							
S	USP	600	PRIME COAT	•	•		•	•	•								•	•	•	•	•	•	•							
COATED FINISHES	S	S1	-	PAINTED ALUMINUM	•	•	•	•	•	•						•	•	•	•	•	•	•	•							
	S	S2	695	PAINTED BRASS	•	•	•	•	•	•							•	•	•	•	•	•	•	•						
	S	S3	694	PAINTED BRONZE	•	•	•	•	•	•								•	•	•	•	•	•	•	•					
	S	S4/BSP	693	BLACK SUEDE POWDER COATING	•	•	•	•	•	•				•	•	•	•	•	•	•	•	•	•	•	•					
	S	S5	695	PAINTED DARK BRONZE	•	•	•	•	•	•								•	•	•	•	•	•	•	•					
	S	S8/WSP	-	WHITE SUEDE POWDER COATING	•	•	•	•	•	•								•	•	•	•	•	•	•	•					
	S	AM	-	CRYSTAL CLEAR - ANTI-MICROBIAL	•	•	•	•	•	•								•	•	•	•	•	•	•	•					
ANODIZED FINISHES	S	C	-	CLEAR ANODIZED (US28)					•			•												•						
	C	ABH	-	CHAMPAGNE ANODIZED																					•					
	C	ABH	-	LIGHT BRONZE ANODIZED																						•				
	C	ABH	-	MEDIUM BRONZE ANODIZED																							•			
	C	D	-	DARK BRONZE ANODIZED																								•		
	S	ABH	-	STAT BRONZE ANODIZED																								•		
	S	B	-	BLACK ANODIZED																								•		
	C	ABH	-	GOLD ANODIZED																									•	
C	ABH	-	CUSTOM ANODIZED FINISHES																									•		

*** Custom Finishes Available - Contact Factory**

ABH® reserves the right to make changes or improvements in design, material, parts or specifications, and "discontinue" without notice.

Aluminum Continuous Geared Hinges – Cross Reference Chart

Type	ABH	Allegion	ASSA Abloy*		Stanley*	Hager*	Select*	NGP*	PBBr*	Kingsway*
		Ives	Pemko*	McKinney*						
Full Concealed	A110	112	FM_SLF	MCK-12	661	780-224	SL11	HD1100	CG31	-
	A110WT	-	-	-	-	-	SL38	-	-	-
	A110SL	-	-	-	-	780-226	-	-	-	-
	A110 AHT SEC	-	WT_FM	MCK-WT	-	-	SL40	-	-	KG200
	A110WT	-	-	MCK-14	667	780-041	SL18*	HD1800	-	-
	A111	-	-	-	-	-	SL71	-	-	-
	A111WT	-	-	v	-	780-211	-	-	-	-
	A120	-	FM_SLISF	MCK-38	668	780-213	SL14	-	-	-
	A130	-	-	-	-	780-045	-	-	-	-
	A135	114	-	-	669	780-046	-	HD1400	-	-
	A140	-	K_FM	K-MCK-12	670	780-053	-	-	-	-
	A150	-	FM_SLI	-	671	780-054	-	-	-	-
	A160	224	FM	MCK-25	662	780-155	SL24	HD2400	CG31L	-
	A240	026	-	-	672	-	SL26	-	-	-
	A260	Ives	-	-	673	780-210	SL27	HD2700	CG31P	-
	A270	-	-	-	-	780-157	-	-	-	-
A280	041	OS_FM	-	674	780-057	SL41	HD4100	-	-	
A410	-	-	-	-	-	SL27	-	-	-	
Double Acting	A507	-	Markar DSH1000		675	-	-	-	-	KG202
Half Surface	A211	-	OS_HS	-	676	ETW	-	HD4200	-	-
	A213	045	-	-	677	QC	-	-	-	-
	A450	046	-	-	678	RETW	-	-	-	-
	A460	053	-	-	679	EPT	-	-	-	-
	A530	054	-	-	663	EMN	SL53	HD5300	-	-
	A540	-	HS	MCK-54	680	E1S	SL54	HD5400	-	-
A550	-	HS_SF	-	-	HT	-	-	-	-	
Half Mortise	A520	210	HM	-	665	UL-STUD	-	-	-	-
Full Surface	A210	157	FS	MCK-22	664	BAT*	SL21	HD2100	CG33C	-
	A570	-	FS_CP	MCK-58	681	DD	SL57	HD5700	CG33N	-
	A571	-	FS_BP	-	-	780-057	SL60	-	-	-
	A571 AHT SEC	-	-	-	-	-	-	-	-	KG210
	A575	TW	-	-	CE	-	-	-	-	-
Electrical Options	A-EA12	TW CON	WIRE	-	-	ETW	CTW	-	-	-
	EA12-QC	-	QC	QC	-	QC	ATW	-	-	-
	R	EPT	SER (EZ)	SER (EZ)	EPT	RETW	RP	-	-	-
	PT	-	PT	EPT	CS	EPT	EPT	-	-	-
	EM	-	CM	MM	-	EMN	ECMG	-	-	-
	ES	HT	-	-	HT	E1S	EMS	-	-	-
Non - Electrical Options	HT	-	HT	HT	FP	HT	HT	-	-	-
	FR	-	FIRE PINS	FIRE PINS KIT	SC	U/L -STUD	FR3	-	-	-
	SC	-	-	-	DD	BAT*	SO	-	-	-
	DD	-	-	DD	DD	DD	DD	-	-	-

* Brand names are trademarks or registered trademarks of their respective companies.

General Information

Standard Features

- Continuous hinges alleviate most common alignment problems such as door binding and sagging by evenly distributing the weight throughout the entire door and frame.
- Provides extra security by eliminating the gap between the door and the frame; thus, disallowing the ability to pry the opening.
- All hinges are surface applied – no mortising of the door or frame required
- First Choice hinges are anodized after machining
- Will cover old butt hinge cut-outs
- All hinges are heavy duty at standard duty prices
- Heavy duty 83" hinge has 32 bearings (3" spacing on center)
- BHMA 156.25 Grade 1 Certified
- Templated hole patterns for standard length hinges keep consistency over time.
- Standard Finishes – Clear anodized, dark bronze anodized and black anodized
- Door reinforcement: None required
- Frame reinforcement: None required for doors up to 200 lbs. For doors more than 200 lbs., 16 gauge channel required

How to Order

Model

Full Concealed, Half Surface, Full Surface

A110

Grade – HD–Heavy Duty, LL – Heavy for Lead-Lined Door

HD

Finish – C–Clear, DB–Dark Bronze, B–Black – (These are stocked finishes, custom are available)

C

Hinge Height – 79" = 079

079

Options if Applicable – PT (See page 8 for details and availability)

PT

Example: A110 HD C 079 x PT

General Information

■ Warranty

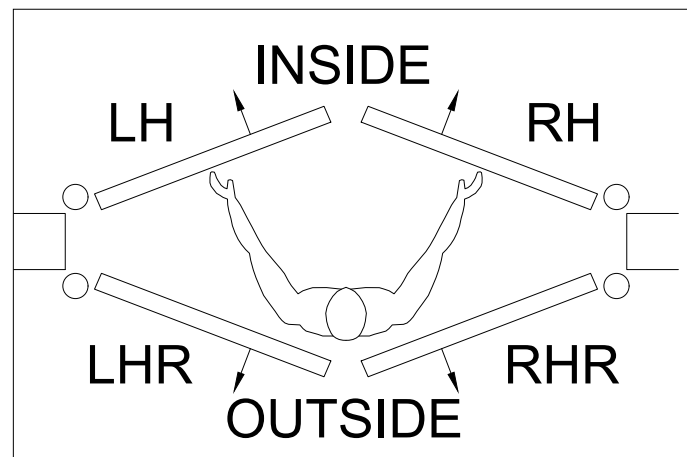
ABH provides a limited lifetime warranty on its hinges for the lifetime of the door opening.

All electrified modifications have a five year limited warranty.

■ Fire Rating

All ABH Aluminum Geared Hinge Models (except A130) Have been tested and certified by UL® (U.S.A. and Canada) for up to and including a 3-Hour Fire Listing on all 4'0" x 10'0" doors.

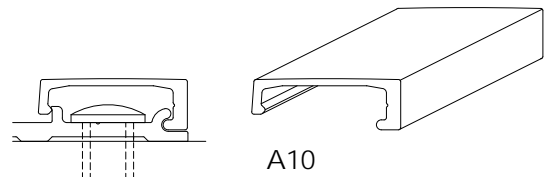
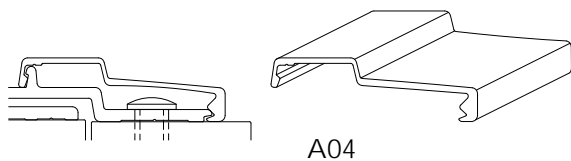
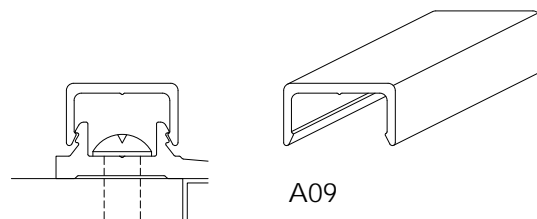
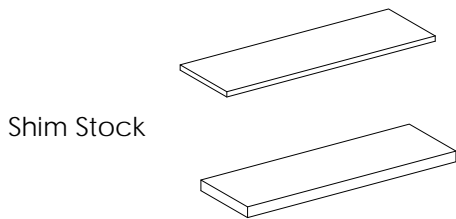
- For use on metal swinging type fire doors rated up to and including 90 minutes (Specify "FR" option for 3 hours)
- For use on wood swinging type fire doors rated up to and including 60 minutes (Specify "FR" option for 90 minutes)



Parts


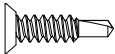




Parts	
R -EA12 -4	4" Removable Section Only - (12) 22 AWG Ribbon Wires with Easy Access Panel (Specify Hinge Model & Finish)
R -QC12EZ -4	4" Removable Section Only - (12) 22 AWG Ribbon Wires With Easy Access Panel - Molex® Microfit 3.0 Connectors (Specify Hinge Model & Finish)
GSHIM -83 -063	Shim - 1/16" thick x 1 -1/2" wide x 83" long, aluminum, clear anodized
GSHIM -83 -125	Shim - 1/8" thick x 1 -1/2" wide 83" long, aluminum, mill finish
GSHIM -120 -063	Shim - 1/16" thick x 1 -1/2" wide x 120" long, aluminum, clear anodized
GSHIM -120 -125	Shim - 1/8" thick x 1 -1/2" wide x 120" long, aluminum, mill finish

Parts - Aluminum Geared Hinges	Normal Door Height	Net Hinge Height
A04 - Door Leaf Cover for A210, A211, A213, A450 & A460	6'8"	79"
A09 - Frame Leaf Cover for A520, A570	7'0"	83"
A10 - Door Leaf Cover for A530, A540, A550, A570 & A571	7'2"	85"
A10 - Door Leaf Cover for A530, A540, A550, A570 & A571	8'0"	95"
A10 - Frame Leaf Cover for A571	10'0"	120"



Aluminum Continuous Geared Hinges

Fasteners

Fasteners		
SCREW PACK-FM	Full Mortise Screw Pack (Specify wood or metal, finish, hinge model and hinge length)	
SCREW PACK-HS	Half Surface Screw Pack (Specify wood or metal, finish, hinge model and hinge length)	
SCREW PACK-FS	Full Surface Screw Pack (Specify wood or metal, finish, hinge model and hinge length)	
SCREW PACK-SEC-FM	Full Mortise Screw Pack with Pin-in torx security fasteners. (Specify wood or metal, finish, hinge model and hinge length)	
SCREW PACK-SEC-HS	Half Surface Screw Pack with Pin-in torx security fasteners. (Specify wood or metal, finish, hinge model and hinge length)	
SCREW PACK-SEC-FS	Full Surface Screw Pack with Pin-in torx security fasteners. (Specify wood or metal, finish, hinge model and hinge length)	
GH1224FHSDS-500-C	(500) 12 -24 x 3/4" Phillips flat head, undercut self -drilling, thread-forming tek machine screws, for clear hinges	
GH1224FHSDS-500-D	(500) 12-24 x 3/4" Phillips flat head, undercut, self -drilling, thread-forming tek machine screws, for dark bronze or black hinges	 
GH12FHWS-500-C	(500) #12 x 1-1/2" Phillips flat head, undercut wood screws, for clear hinges	 
GH12FHWS-500-D	(500) #12 x 1-1/2" Phillips flat head, undercut wood screws, for dark bronze or black hinges	
GH12FHWS-500-C-SEC	(500) #12 x 1-1/2" Pin-in torx flat head, undercut wood security screws, for clear hinges	
GH12FHWS-500-D-SEC	(500) #12 x 1-1/2" Pin -in torx flat head, undercut wood security screws, for dark bronze or black hinges	
GH1224FHSDS-500-C-SEC	(500) 12-24 x 3/4" Pin-in torx flat head, undercut self-drilling, thread-forming tek machine security screws, for clear hinges	 
GH1224FHSDS-500-D-SEC	(500) 12 -24 x 3/4" Pin-in torx flat head, undercut self -drilling, thread-forming tek machine security screws, for dark bronze or black hinges	
GH1224RHSDS-500	(500) 12 -24 x 3/4" Phillips round head self-drilling, thread -forming tek machine screws, zinc plated	

Electrical Options

■ **PT – Cut –out Prep for Power Transfer (For Aluminum or Stainless Steel Hinges)**

Hinge is prepped for electrical power transfer unit - must specify power transfer unit being used and location of cu-out desired. See ABH Electrical Power Transfer section in the catalog for available models. (sold separately)

■ **EA – 12 Easy Access**

Transfers power from the frame to the door in a discreet manner

- (12) 22 AWG Super Flex Ribbon Wire
-

■ **EA12 – EZ Easy Access Thru –Wire with QC Connect**

- Wires are supplied with Moles® Plug –in Connectors for installation ease
 - (12) 22 AWG Super Flex Ribbon Wire with EZ connectors
-

■ **EM – Concealed Electrical Magnetic Monitoring Switch (For Aluminum Hinges)**

Magnetic monitoring switch is installed in the frame leaf to monitor the door position with three 12" wire leads. Specify handing.

■ **ES – Exposed Electrical Monitoring Switch (For Aluminum Hinges)**

Push button switch is installed in the frame leaf to monitor the door position. Specify handing.

■ **R – Removable Electrical Access Prep**

Hinge is supplied in three separate sections so the electrical section can be removed without having to remove the entire hinge.

■ **TW2 – Thru – Wire Section**

- 5" Section
- Hinge supplied in three separate sections so the electrical section can be removed without having to remove the entire hinge
- (2) 22 AWG Wire
- For A570 Full Surface Hinge Only

Electrical Options - Compatibility Chart

Electrical Options - Compatibility Chart								
Hinge Model	PT	EA	QC	EM	ES	MT	R	TW2
FULL CONCEALED	A110	■	■	■	■	■	■	
	A110WT	■	■	■	■	■	■	
	A111	■	■	■	■	■	■	
	A111WT	■	■	■	■	■	■	
	A130							
	A140	■	■	■	■	■	■	
	A150	■	■	■	■	■	■	
	A160	■	■	■	■	■	■	
	A240	■	■	■	■	■	■	
	A260	■	■	■	■	■	■	
	A270	■	■	■	■	■	■	
A410	■		■	■	■		■	
HALF SURFACE	A211	■						
	A213	■						
	A450	■						
	A460	■						
	A530	■						
	A540	■						
	A550	■						
HALF SURFACE	A210							
	A570		■					■
	A571							

Non – Electrical Options

CUT – Cut to Custom Length

If a non – standard length hinge is required, ABH will cut from the bottom of the hinge to the desired length, as long as it does not interfere with a bearing and/or screw hole. Specify length and handing.

SPLICE – Spliced Hinge

For hinges exceeding 120", ABH splices two separate lengths with an alternately split cap to cover the gears. Specify length and handing.

AHT – Advanced Hospital Tip

45° Angled Top of Hinge Cap. Installed as part of hing providing a clean look and help support a safer environment in hospitals and other institutions. Specify handing.

HT – Hospital Tip

Top of the hinge cap is cut at a 45° angle to help support a safer environment in hospitals and other institutions. Specify handing.

TR – Tamper Resistant

Hinge is supplied with a hospital tip in addition to providing every other bearing with a set screw to further secure the hinge cap in high security applications.

SEC – Security Fasteners

Security fasteners are supplied in lieu of standard fasteners for all exposed areas.

FR – Fire Studs

Four stainless steel studs are supplied to provide the following fire rating:

- For use on metal swinging type fire doors rated up to and including 3 hours.

LL – Lead-Lined

Lead is provided for the door portion for half surface and full surface hinges where mounting holes will pierce the lead.

SC – School Cap

Bearing is installed with a set screw at the top of the hinge covering the hinge gears and preventing any debris or obstructions from being inserted at the top.

DD – Dutch Door

[Dutch Door Order Form](#)

Modified door leaf cut to fit a Dutch Door application. Click above for order form or specify top and bottom door leaf heights, clearance required between door leaves and handing when ordering.

SL – Sheared Leaf

Sheared leaf to accommodate a 1- $\frac{3}{8}$ " thick door for concealed leaves.

SNB for 1 - $\frac{3}{8}$ "

Shortened bolts to accommodate a 1- $\frac{3}{8}$ " thick door for surface mounted door leaves.

Custom Hole

Contact factory with custom mounting hole locations desired for unusual frame/door conditions.

No Hole

Custom factory for hinges without mounting holes.

Custom Finish

Custom anodizing and powder coated finish available – contact factory for details. Custom color sample approval will be required prior to fabrication.

Wedge

Adjustable Safety Wedge

Non –Electrical Options Compatibility Chart

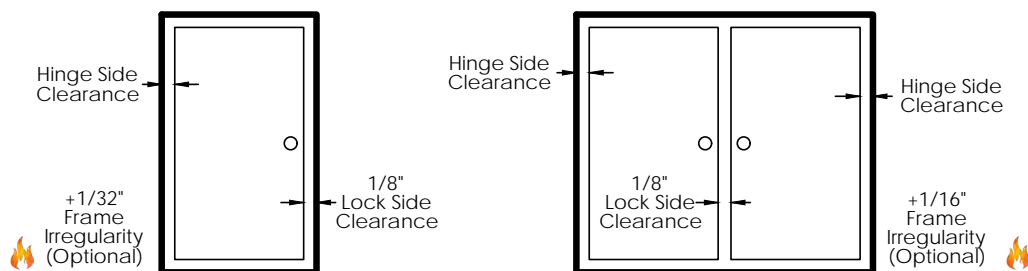
NON –Electrical Options – Compatibility Chart													
Hinge Model	CUT	SPLICE	HT	TR	SEC	FR	LL	SC	DD	SL	SNB FOR 1-3/8"	CUSTOM FINISHES	AHT
FULL CONCEALED	A110	■	■	■	■	■		■	■	■		■	■
	A110WT	■	■	■	■	■		■	■	■		■	■
	A111	■	■	■	■	■		■	■	■		■	■
	A111WT	■	■	■	■	■		■	■	■		■	■
	A130	■	■	■	■	■		■	■	■		■	
	A140	■	■	■	■	■		■	■	■		■	
	A150	■	■	■	■	■		■	■	■		■	■
	A160	■	■	■	■	■		■	■	■		■	■
	A240	■	■	■	■	■		■	■	■		■	■
	A260	■	■	■	■	■		■	■	■		■	
	A270	■	■	■	■	■		■	■	■		■	■
	A410	■	■	■	■	■		■	■	■		■	
HALF SURFACE	A211	■	■	■	■	■	■	■	■	■	■	■	
	A213	■	■	■	■	■	■	■	■	■	■	■	
	A450	■	■	■	■	■	■	■	■	■	■	■	
	A460	■	■	■	■	■	■	■	■	■	■	■	
	A530	■	■	■	■	■	■	■	■	■	■	■	
	A540	■	■	■	■	■	■	■	■	■	■	■	■
	A550	■	■	■	■	■	■	■	■	■	■	■	
HALF SURFACE	A210	■	■	■	■	■	■	■	■		■	■	■
	A570	■	■	■	■	■	■	■	■		■	■	■
	A571	■	■	■	■	■	■	■	■		■	■	■

Door Clearance Chart – Square Edge

Single Door – Squared Edged								
Hinge Model		Hinge Thickness	+	Lock Side Clearance	+	*Frame Irregularity (OPTIONAL)	=	Square Edged Door Undersized (Single)
Full Concealed	A110, A110WT, A111 A111WT, A120, A140, A150, A160, A240, A260, A270, A410	5/16"	+	1/8"	+	1/32"	=	15/16"
	A130, A135	13/16"	+	1/8"	+	1/32"	=	3 1/32"
Half Surface	A211, A213, A450, A460, A520, A530, A540, A550	3/16"	+	1/8"	+	1/32"	=	1 1/32"
Full Surface	A210, A570, A571, A575	1/16"	+	1/8"	+	1/32"	=	7/32"

Single Door


Pair of Doors



Pair of Doors – Squared Edged

Pair of Doors – Squared Edged								
Hinge Model		Hinge Thickness (Pair)	+	Lock Side Clearance	+	*Frame Irregularity (OPTIONAL)	=	Square Edged Door Undersized (Pair)
Full Concealed	A110, A110WT, A111 A111WT, A120, A140, A150, A160, A240, A260, A270, A410	5/8"	+	1/8"	+	1/16"	=	13/16"
	A130, A135	1 – 5/8"	+	1/8"	+	1/16"	=	1 – 13/16"
Half Surface	A211, A213, A450, A460, A520, A530, A540, A550	1/4"	+	1/8"	+	1/16"	=	7/16"
Full Surface	A210, A570, A571, A575	1/8"	+	1/8"	+	1/16"	=	5/16"

* 1/16" Frame Irregularity Allowance, Optional and included in all Total Door Undersize for single and pairs of doors

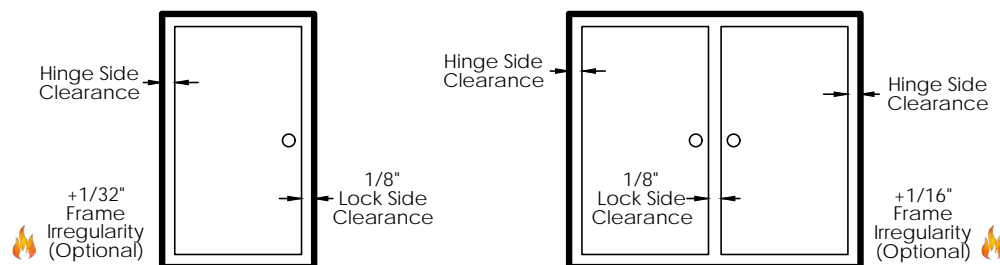
 Frame irregularity not permitted by NFPA80

Door Clearance Chart – Beveled Edge

Single Door – Beveled Edged										
Hinge Model		Hinge Thickness	+	Lock Side Clearance	+	* Frame Irregularity (OPTIONAL)	+	Beveled Door Clearance	=	Beveled Edged Door Undersized (Single)
Full Concealed	A110, A110WT, A111 A111WT, A120, A140, A150, A160, A240, A260, A270, A410	5/16"	+	1/8"	+	1/32"	+	1/32"	=	1/2"
	A130, A135	13/16"	+	1/8"	+	1/32"	+	1/32"	=	1"
Half Surface	A211, A213, A450, A460, A520, A530, A540, A550	3/16"	+	1/8"	+	1/32"	+	1/32"	=	3/8"
Full Surface	A210, A570, A571, A575	1/16"	+	1/8"	+	1/32"	+	N/A	=	7/32"

Single Door

Pair of Doors



Pair of Doors – Beveled Edged										
Hinge Model		Hinge Thickness (Pair)	+	Lock Side Clearance	+	* Frame Irregularity (OPTIONAL)	+	Beveled Door Clearance	=	Beveled Edged Door Undersized (Pair)
Full Concealed	A110, A110WT, A111 A111WT, A120, A140, A150, A160, A240, A260, A270, A410	5/8"	+	1/8"	+	1/16"	+	1/16"	=	7/8"
	A130, A135	1 – 5/8"	+	1/8"	+	1/16"	+	1/16"	=	1 – 7/8"
Half Surface	A211, A213, A450, A460, A520, A530, A540, A550	1/4"	+	1/8"	+	1/16"	+	N/A	=	7/16"
Full Surface	A210, A570, A571, A575	1/8"	+	1/8"	+	1/16"	+	N/A	=	5/16"

* 1/16" Frame Irregularity Allowance, Optional and included in all Total Door Undersize for single and pairs of doors

Frame irregularity not permitted by NFPA80

Hinge Types

Full Mortise

Both hinge leaves are concealed between the rabbet of the frame and the door.
Both door and frame leaves are provided with 12 -24 x 3/4" self -drilling, thread forming tek screws

A110
Full Mortise



Half Surface

Frame leaf is concealed between the rabbet of the frame and the door; and, the door leaf is mounted to the face of the door.

Door leaf is provided with:

- 1/4" -20 sex bolts and shoulder bolts
- 12 -24 x 1" Phillips pan head self -drilling tek screws (locator holes)
- Center punches for installation ease

Frame leaf is provided with:

- 12 -24 x 3/4" Phillips self -drilling, thread forming, tek screws

A570
Full Surface



Full Surface

Frame leaf is mounted to the face of the frame and the door leaf is mounted to the face of the door.

Door leaf is provided with:

- 12 -24 x 1" Phillips flat head, undercut, self drilling, thread forming tek screws
- Center punches for installation ease

Frame leaf is provided with:

- 12 -24 x 3/4" Phillips self -drilling, thread forming, tek screws
FC210, FC575 Only)



A520
Half Mortise

Half Mortise

Door Leaf is concealed between the rabbet of the frame and the frame leaf is mounted to the face of the frame.

Door leaf is provided with:

- 1/4" -20 sex bolts and shoulder bolts
- 12 -24 x 3/4" Phillips flat head self -drilling tek screws (locator holes)
- Center punches for installation ease

Frame leaf is provided with:

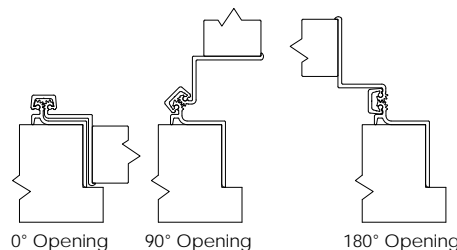
- 12 -24 x 1" Phillips self -drilling, thread forming, tek screws

A211
Half Surface



Swing Clear Hinge

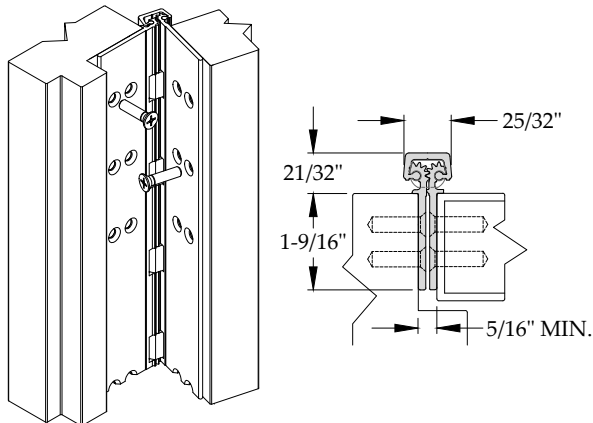
A swing clear hinge allows the door to swing completely clear of the door opening. Typically used in medical centers, it allows the full door width for large items such as gurneys and wheelchairs to pass. ABH offers the A410 swing clear and A211 swing clear models (see page 21 and 23 for details).



A210
Swing Clear

Full Mortise Hinges

■ A110HD/A110LL



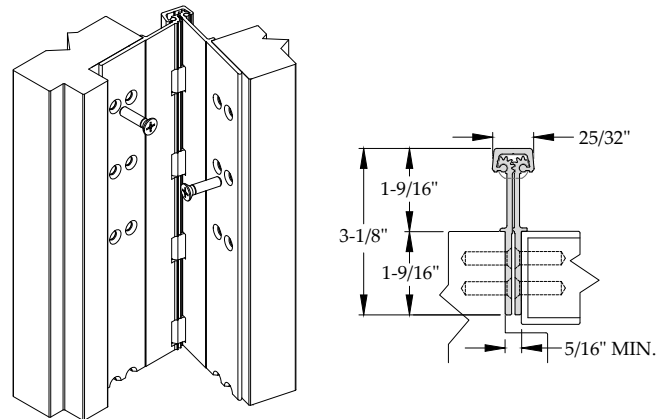
■ Standard Features

- Full Surface, Heavy Duty
- No door inset, flush mount
- 48" door width maximum
- **450 lbs. door weight maximum**
- "LL" model for doors up to 1,000 lbs. (lead-lined staggered hole pattern)
- **Fasteners:** 12-24 x 3/4" undercut self-drilling, thread-forming tek machine screws
- **Standard lengths:** 79", 83", 85", 95" and 120"
- **Finishes:** Clear, dark bronze and black anodized (call factory for custom finishes)
- **Fire Rating**
 - Approved for use on metal swinging type minutes (Specify "FR" option for 3 hour rating)

■ Options Available

- See pages 7 -10 for option availability and details.

■ A110WTHD



■ Standard Features

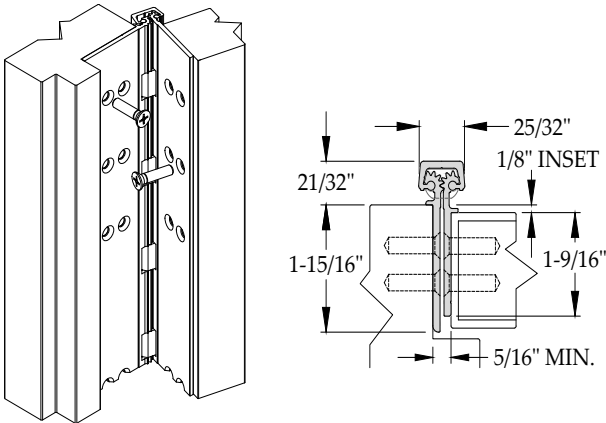
- Full Surface, Heavy Duty
- No door inset, flush mount
- Wide throw for applications that need extra clearance for the door or the frame
- 48" door width maximum
- **450 lbs. door weight maximum**
- **Fasteners:** 12-24 x 3/4" undercut self-drilling, thread-forming tek machine screws
- **Standard lengths:** 79", 83", 85", 95" and 120"
- **Finishes:** Clear, dark bronze and black anodized (call factory for custom finishes)
- **Fire Rating**
 - Approved for use on metal swinging type minutes (Specify "FR" option for 3 hour rating)

■ Options Available

- See pages 7 -10 for option availability and details.

Full Mortise Hinges

■ A111HD/A111LL



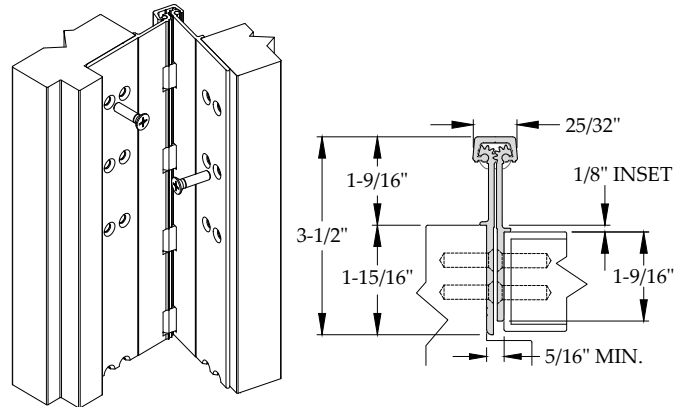
■ Standard Features

- Full Concealed, Heavy Duty
- 1/8" door inset
- 48" door width maximum
- **450 lbs. door weight maximum**
- "LL" model for doors up to 1,000 lbs. (lead-lined staggered hole pattern)
- **Fasteners:** 12-24 x 3/4" undercut self-drilling, thread-forming tek machine screws
- **Standard lengths:** 79", 83", 85", 95" and 120"
- **Finishes:** Clear, dark bronze and black anodized (call factory for custom finishes)
- **Fire Rating**
 - Approved for use on metal swinging type minutes (Specify "FR" option for 3 hour rating)

■ Options Available

- See pages 7 -10 for option availability and details.

■ A111WTHD



■ Standard Features

- Full Concealed, Heavy Duty
- 1/8" door inset
- Wide throw for applications that need extra clearance for the door or the frame
- 48" door width maximum
- **450 lbs. door weight maximum**
- **Fasteners:** 12-24 x 3/4" undercut self-drilling, thread-forming tek machine screws
- **Standard lengths:** 79", 83", 85", 95" and 120"
- **Finishes:** Clear, dark bronze and black anodized (call factory for custom finishes)
- **Fire Rating**
 - Approved for use on metal swinging type minutes (Specify "FR" option for 3 hour rating)

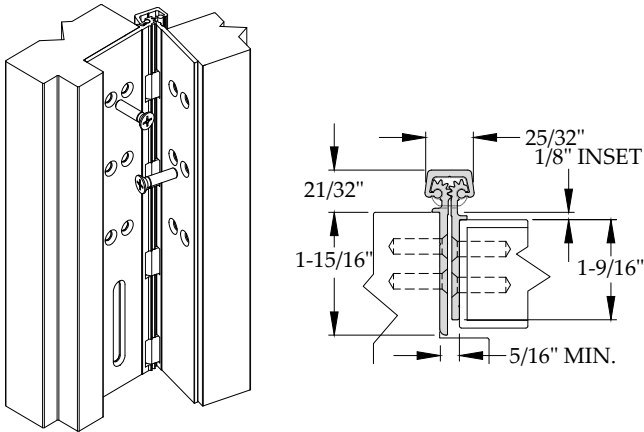
■ Options Available

- See pages 7 -10 for option availability and details.

Aluminum Continuous Geared Hinges

Full Mortise Hinges

■ A120HD



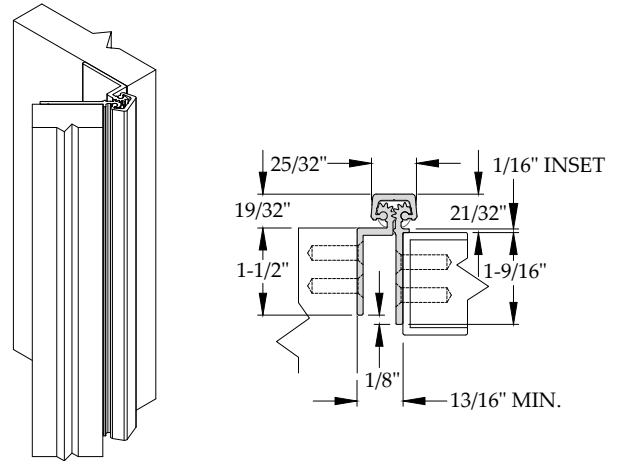
■ Standard Features

- Full Concealed, Heavy Duty
- 1/8" door inset
- 48" door width maximum
- **450 lbs. door weight maximum**
- Allows for vertical adjustability after the hinge is secured to the door and frame, reducing overall installation time and cost.
- **Fasteners:** 12-24 x 3/4" undercut self-drilling, thread-forming tek machine screws
- **Standard lengths:** 83-3/8", 95-3/8", 120-3/8"
- **Finishes:** Clear, dark bronze and black anodized (call factory for custom finishes)
- **Fire Rating**
 - Approved for use on metal swinging type minutes (Specify "FR" option for 3 hour rating)

■ Options Available

- See pages 7 -10 for option availability and details.

■ A130HD



■ Standard Features

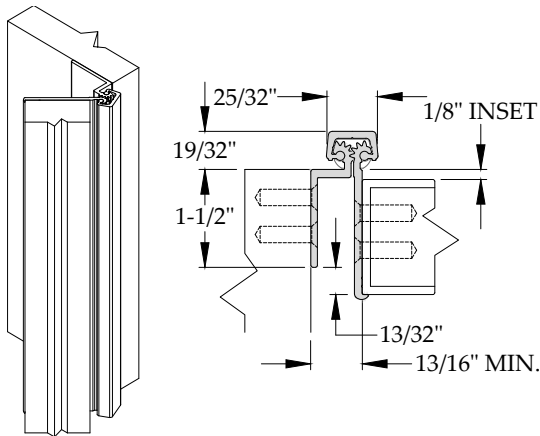
- Full Concealed, Heavy Duty
- 1/16" door inset
- Safety hinge application when used without a frame stop
- Used primarily in schools, nursing homes and day care facilities to avoid fingers and or other objects being closed in the door.
- 9/16" gap between from leaf and door leaf when door is closed.
- 48" door width maximum
- **450 lbs. door weight maximum**
- **Fasteners:** 12-24 x 3/4" undercut self-drilling, thread-forming tek machine screws
- **Standard lengths:** 79", 83", 85", 95" and 120"
- **Finishes:** Clear, dark bronze and black anodized (call factory for custom finishes)

■ Options Available

- See pages 7 -10 for option availability and details.

Full Mortise Hinges

■ A135HD



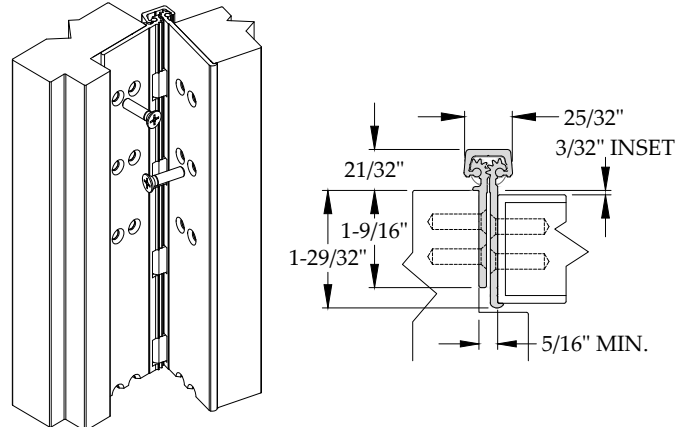
■ Standard Features

- Full Concealed, Heavy Duty
- $\frac{1}{8}$ " door inset
- 48" door width maximum
- **450 lbs. door weight maximum**
- Door edge protector lip
- Safety hinge application when used without a frame stop
- Used primarily in schools, nursing homes and dare care facilities to avoid fingers and other objects being closed in the door.
- $\frac{9}{16}$ " gap between from leaf and door leaf when door is closed
- **Fasteners:** 12-24 x $\frac{3}{4}$ " undercut self-drilling, thread-forming tek machine screws
- **Standard lengths:** 79", 83", 85", 95" and 120"
- **Finishes:** Clear, dark bronze and black anodized (call factory for custom finishes)

■ Options Available

- See pages 7 -10 for option availability and details.

■ A140HD/A140LL



■ Standard Features

- Full Concealed, Heavy Duty
- $\frac{3}{32}$ " door inset
- Door edge protector lip
- For use on 1- $\frac{3}{4}$ " thick door
- 48" door width maximum
- **450 lbs. door weight maximum**
- "LL" model for doors up to 1,000 lbs. (lead-lined staggered hole pattern)
- **Fasteners:** 12-24 x $\frac{3}{4}$ " undercut self-drilling, thread-forming tek machine screws
- **Standard lengths:** 79", 83", 85", 95" and 120"
- **Finishes:** Clear, dark bronze and black anodized (call factory for custom finishes)
- **Fire Rating**
 - Approved for use on metal swinging type minutes (Specify "FR" option for 3 hour rating)

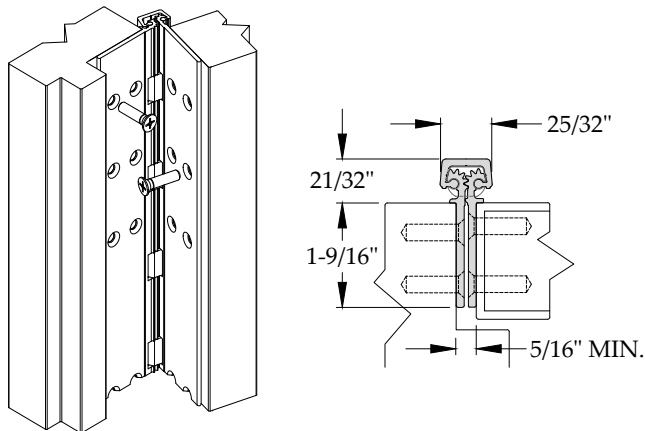
■ Options Available

- See pages 7 -10 for option availability and details.

Aluminum Continuous Geared Hinges

Full Mortise Hinges

■ A150HD/A150LL



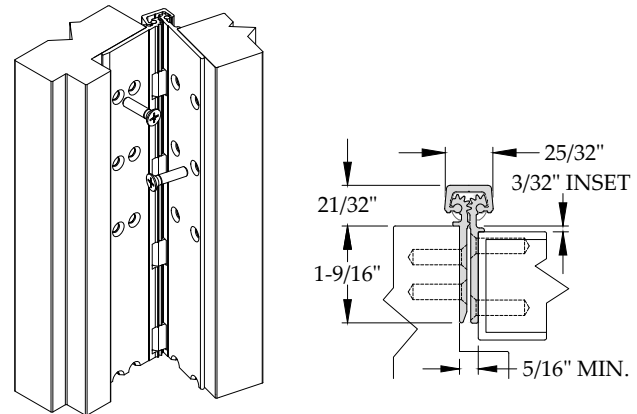
■ Standard Features

- Full Concealed, Heavy Duty
- No door inset, flush mount
- Design for use on the Kawneer "Tuffline[®]" aluminum doors
- 48" door width maximum
- **450 lbs. door weight maximum**
- "LL" model for doors up to 1,000 lbs. (lead-lined staggered hole pattern)
- **Fasteners:** 12-24 x 3/4" undercut self-drilling, thread-forming tek machine screws
- **Standard lengths:** 79", 83", 85", 95" and 120"
- **Finishes:** Clear, dark bronze and black anodized (call factory for custom finishes)
- **Fire Rating**
 - Approved for use on metal swinging type minutes (Specify "FR" option for 3 hour rating)

■ Options Available

- See pages 7 -10 for option availability and details.

■ A160HD/A160LL



■ Standard Features

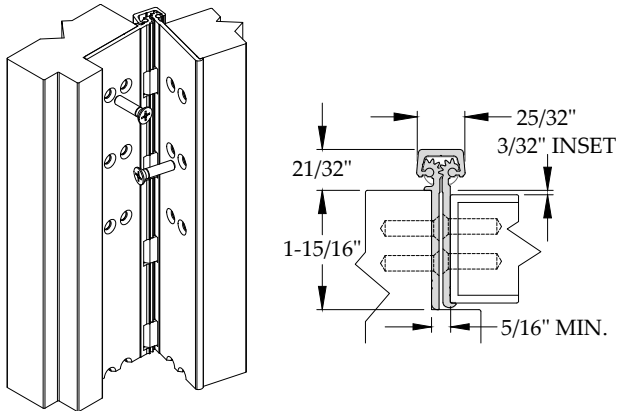
- Full Surface, Heavy Duty
- 3/32" door inset
- Beveled edge on frame leaf
- 48" door width maximum
- **450 lbs. door weight maximum**
- "LL" model for doors up to 1,000 lbs. (lead-lined staggered hole pattern)
- **Fasteners:** 12-24 x 3/4" undercut self-drilling, thread-forming tek machine screws
- **Standard lengths:** 79", 83", 85", 95" and 120"
- **Finishes:** Clear, dark bronze and black anodized (call factory for custom finishes)
- **Fire Rating**
 - Approved for use on metal swinging type minutes (Specify "FR" option for 3 hour rating)

■ Options Available

- See pages 7 -10 for option availability and details.

Full Mortise Hinges

■ A240HD/A240LL



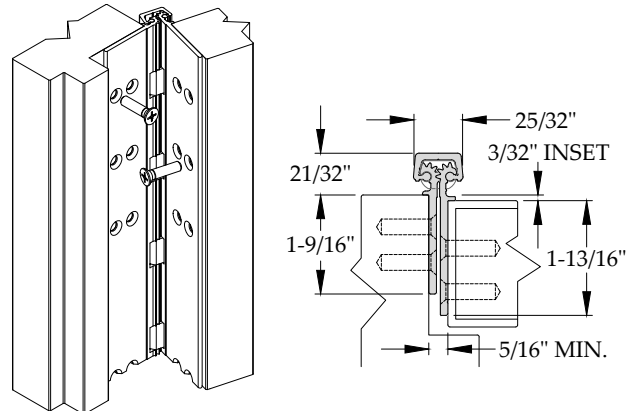
■ Standard Features

- Full Concealed, Heavy Duty
- $\frac{3}{32}$ " door inset
- Door edge protector lip
- For use on 1- $\frac{3}{4}$ " thick door
- 48" door width maximum
- **450 lbs. door weight maximum**
- "LL" model for doors up to 1,000 lbs. (lead-lined staggered hole pattern)
- **Fasteners:** 12-24 x $\frac{3}{4}$ " undercut self-drilling, thread-forming tek machine screws
- **Standard lengths:** 79", 83", 85", 95" and 120"
- **Finishes:** Clear, dark bronze and black anodized (call factory for custom finishes)
- **Fire Rating**
 - Approved for use on metal swinging type minutes (Specify "FR" option for 3 hour rating)

■ Options Available

- See pages 7-10 for option availability and details.

■ A260HD/A260LL



■ Standard Features

- Full Concealed, Heavy Duty
- $\frac{3}{32}$ " door inset
- For use on 2" thick door
- 48" door width maximum
- **450 lbs. door weight maximum**
- "LL" model for doors up to 1,000 lbs. (lead-lined staggered hole pattern)
- **Fasteners:** 12-24 x $\frac{3}{4}$ " undercut self-drilling, thread-forming tek machine screws
- **Standard lengths:** 79", 83", 85", 95" and 120"
- **Finishes:** Clear, dark bronze and black anodized (call factory for custom finishes)
- **Fire Rating**
 - Approved for use on metal swinging type minutes (Specify "FR" option for 3 hour rating)

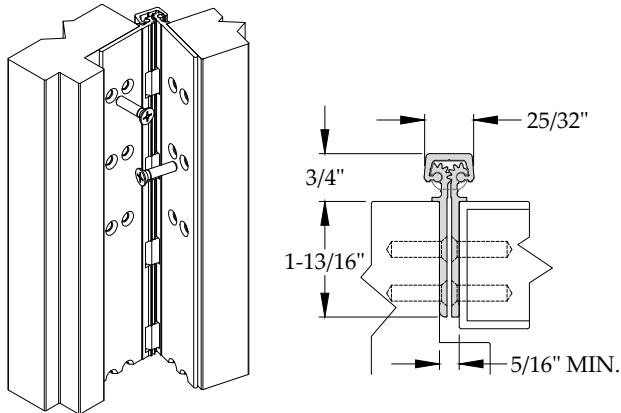
■ Options Available

- See pages 7-10 for option availability and details.

Aluminum Continuous Geared Hinges

Full Mortise Hinges

■ A270HD/A270LL



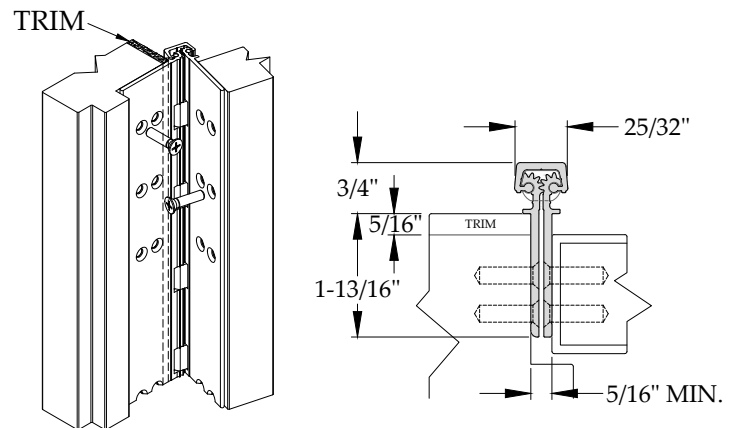
■ Standard Features

- Full Concealed, Heavy Duty
- No door inset, flush mount
- For use on 2" thick door
- 48" door width maximum
- **450 lbs. door weight maximum**
- "LL" model for doors up to 1,000 lbs. (lead-lined staggered hole pattern)
- **Fasteners:** 12-24 x 3/4" undercut self-drilling, thread-forming tek machine screws
- **Standard lengths:** 79", 83", 85", 95" and 120"
- **Finishes:** Clear, dark bronze and black anodized (call factory for custom finishes)
- **Fire Rating**
 - Approved for use on metal swinging type minutes (Specify "FR" option for 3 hour rating)

■ Options Available

- See pages 7-10 for option availability and details.

■ A280HD/A280LL



■ Standard Features

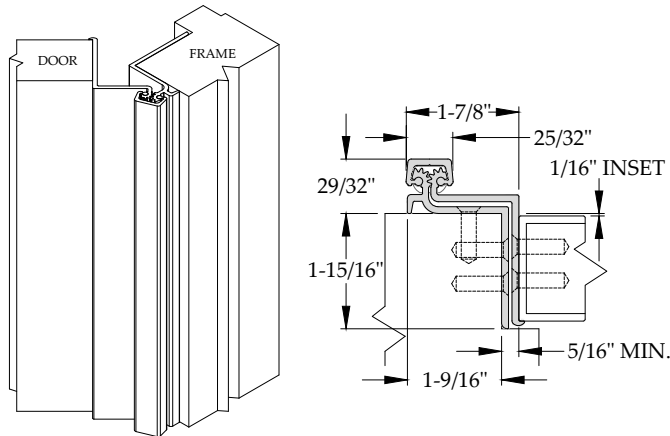
- Full Concealed, Heavy Duty
- No inset
- Used on frames with snap-on trim, No reveal
- 48" door width maximum
- **450 lbs. door weight maximum**
- "LL" model for doors up to 1,000 lbs. (lead-lined staggered hole pattern)
- **Fasteners:** 12-24 x 3/4" undercut self-drilling, thread-forming tek machine screws
- **Standard lengths:** 79", 83", 85", 95" and 120"
- **Finishes:** Clear, dark bronze and black anodized (call factory for custom finishes)
- **Fire Rating**
 - Approved for use on metal swinging type minutes (Specify "FR" option for 3 hour rating)

■ Options Available

- See pages 7-10 for option availability and details.

Full Mortise Hinges

■ A410HD/A410LL



■ Standard Features

- Full Concealed, Heavy Duty
- No inset, flush mount
- Swing clear application
- Door protection lip
- 48" door width maximum
- **450 lbs. door weight maximum**
- "LL" model for doors up to 1,000 lbs. (lead-lined staggered hole pattern)
- **Fasteners:** 12 -24 x 3/4" undercut self-drilling, thread-forming tek machine screws
- **Standard lengths:** 79", 83", 85", 95" and 120"
- **Finishes:** Clear, dark bronze and black anodized (call factory for custom finishes)
- **Fire Rating**
 - Approved for use on metal swinging type minutes (Specify "FR" option for 3 hour rating)

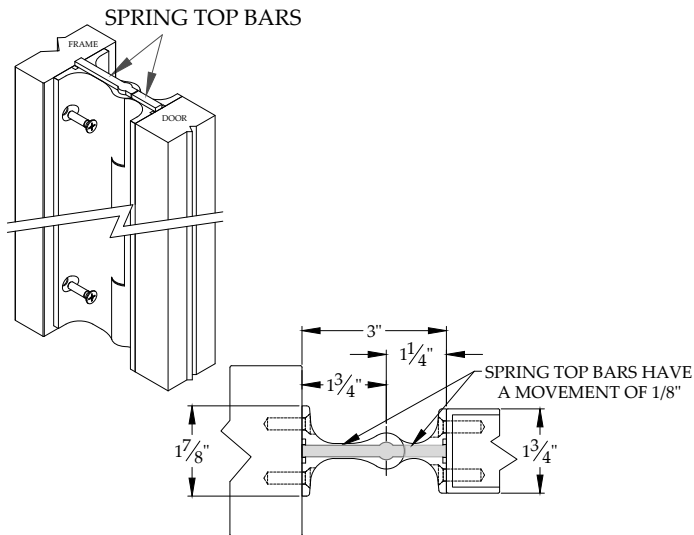
■ Options Available

- See pages 7 -10 for option availability and details.

Aluminum Continuous Geared Hinges

Double Acting Hinge

■ A507



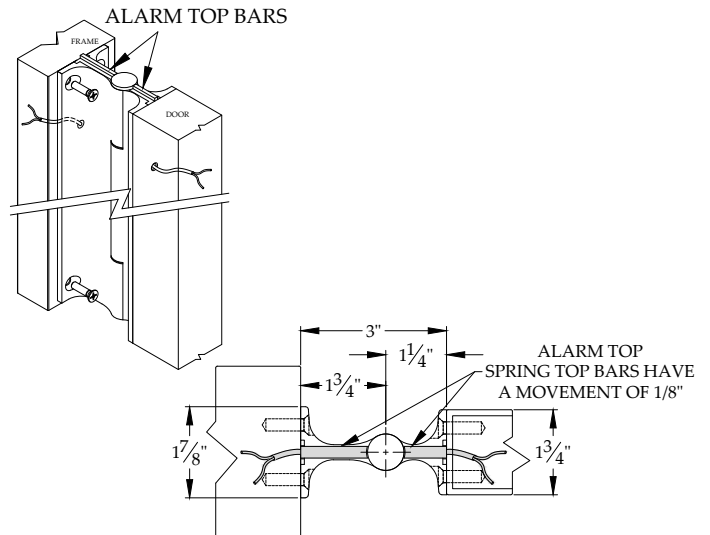
■ Standard Features

- Full Concealed, Heavy Duty
- Double acting
- No alarm
- Spring top
- 48" door width maximum
- **450 lbs. door weight maximum**
- **Fasteners:** 12-24 x 3/4" pin-in torx undercut self-drilling, thread-forming tek machine screws
- **Standard lengths:** 83", 95" and 120"
- **Finishes:** Clear, dark bronze and black anodized (call factory for custom finishes)

■ Options Available

- See pages 7-10 for option availability and details.

■ A507-AT



■ Standard Features

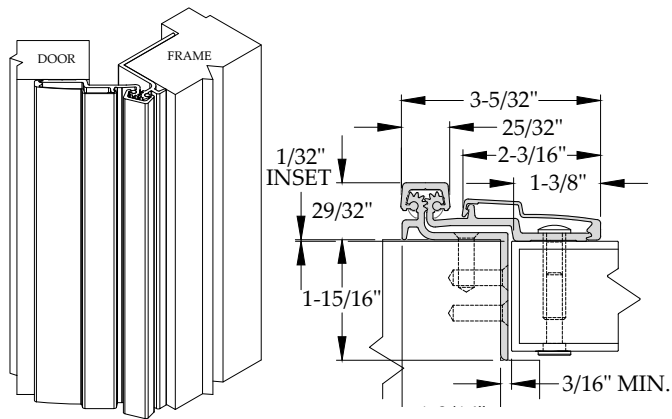
- Full Concealed, Heavy Duty
- Double acting
- Alarm top
- Spring top
- 48" door width maximum
- **450 lbs. door weight maximum**
- **Fasteners:** 12-24 x 3/4" pin-in torx undercut self-drilling, thread-forming tek machine screws
- **Standard lengths:** 83", 95" and 120"
- **Finishes:** Clear, dark bronze and black anodized (call factory for custom finishes)

■ Options Available

- See pages 7-10 for option availability and details.

Half Surface

A211HD



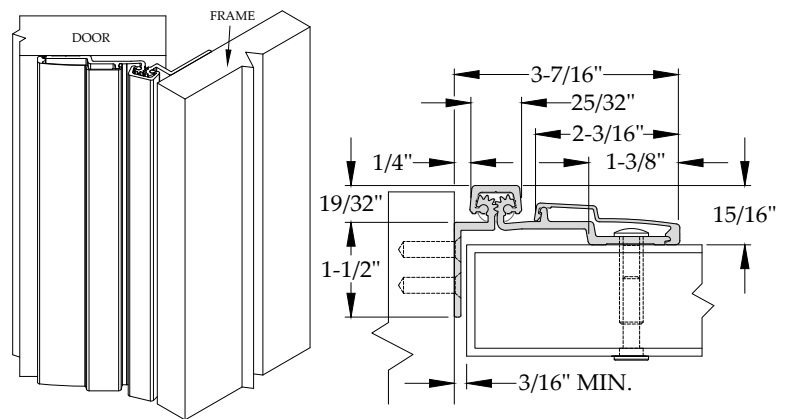
Standard Features

- Half Surface, Heavy Duty
- 48" door width maximum
- **450 lbs. door weight maximum**
- **Fasteners:** 12–24 x 7/8" undercut self-drilling, thread-forming tek machine screws for frame and 1/4" – 20 sex bolts and shoulder bolts for door
- **Standard lengths:** 79", 83", 85", 95" and 120"
- **Finishes:** Clear, dark bronze and black anodized (call factory for custom finishes)
- **Fire Rating**
 - Approved for use on metal swinging type minutes (Specify "FR" option for 3 hour rating)

Options Available

- See pages 7–10 for option availability and details.

A213HD



Standard Features

- Half Surface, Heavy Duty
- Center hung door application where finger guards require a long reach
- 48" door width maximum
- **450 lbs. door weight maximum**
- **Fasteners:** 12–24 x 3/4" undercut self-drilling, thread-forming tek machine screws for frame and 1/4" – 20 sex bolts and shoulder bolts for door
- **Standard lengths:** 79", 83", 85", 95" and 120"
- **Finishes:** Clear, dark bronze and black anodized (call factory for custom finishes)
- **Fire Rating**
 - Approved for use on metal swinging type minutes (Specify "FR" option for 3 hour rating)

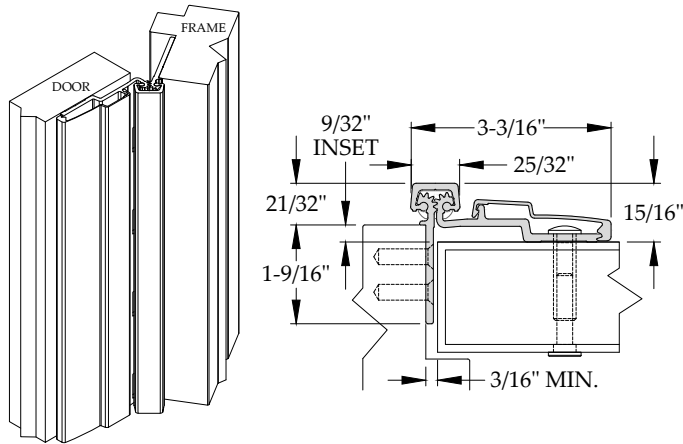
Options Available

- See pages 7–10 for option availability and details.

Aluminum Continuous Geared Hinges

Half Surface

A450HD



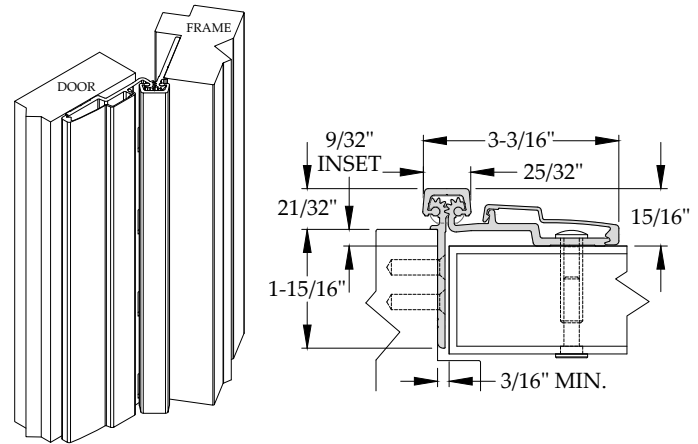
Standard Features

- Half Surface, Heavy Duty
- 48" door width maximum
- **450 lbs. door weight maximum**
- **Fasteners:** 12–24 x 3/4" undercut self-drilling, thread-forming tek machine screws for frame and 1/4" – 20 sex bolts and shoulder bolts for door
- **Standard lengths:** 79", 83", 85", 95" and 120"
- **Finishes:** Clear, dark bronze and black anodized (call factory for custom finishes)
- **Fire Rating**
 - Approved for use on metal swinging type minutes (Specify "FR" option for 3 hour rating)

Options Available

- See pages 7–10 for option availability and details.

A460



Standard Features

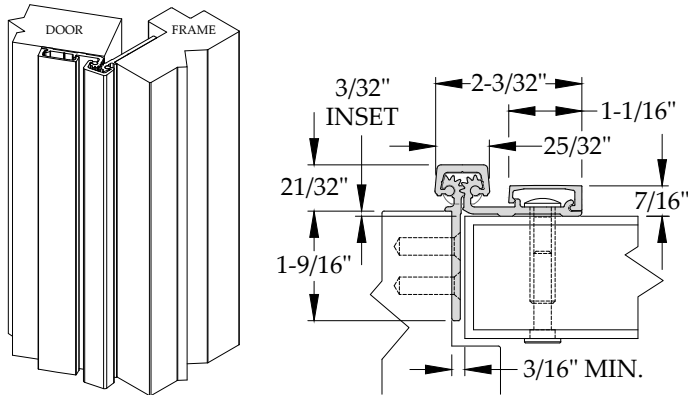
- Half Surface, Heavy Duty
- 9/32" door inset
- 48" door width maximum
- **450 lbs. door weight maximum**
- **Fasteners:** 12–24 x 3/4" undercut self-drilling, thread-forming tek machine screws for frame and 1/4" – 20 sex bolts and shoulder bolts for door
- **Standard lengths:** 79", 83", 85", 95" and 120"
- **Finishes:** Clear, dark bronze and black anodized (call factory for custom finishes)
- **Fire Rating**
 - Approved for use on metal swinging type minutes (Specify "FR" option for 3 hour rating)

Options Available

- See pages 7–10 for option availability and details.

Half Surface Hinges

A530HD



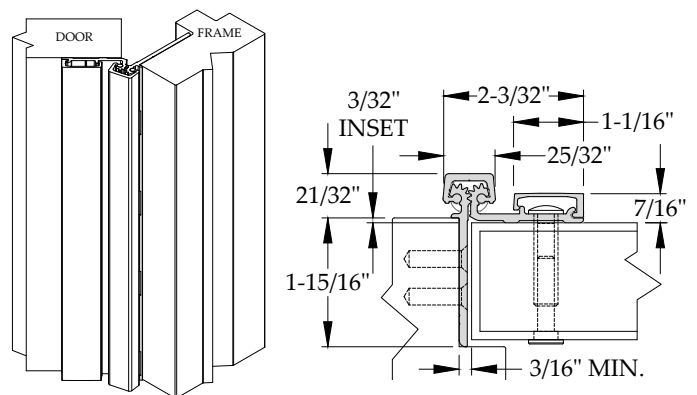
Standard Features

- Half Surface, Heavy Duty
- $\frac{3}{32}$ " door inset
- 48" door width maximum
- **450 lbs. door weight maximum**
- **Fasteners:** 12–24 x $\frac{3}{4}$ " undercut self-drilling, thread-forming tek machine screws for frame and $\frac{1}{4}$ " – 20 sex bolts and shoulder bolts for door
- **Standard lengths:** 79", 83", 85", 95" and 120"
- **Finishes:** Clear, dark bronze and black anodized (call factory for custom finishes)
- **Fire Rating**
 - Approved for use on metal swinging type minutes (Specify "FR" option for 3 hour rating)

Options Available

- See pages 7–10 for option availability and details.

A540HD



Standard Features

- Half Surface, Heavy Duty
- $\frac{3}{32}$ " door inset
- 48" door width maximum
- **450 lbs. door weight maximum**
- **Fasteners:** 12–24 x $\frac{3}{4}$ " undercut self-drilling, thread-forming tek machine screws for frame and $\frac{1}{4}$ " – 20 sex bolts and shoulder bolts for door
- **Standard lengths:** 79", 83", 85", 95" and 120"
- **Finishes:** Clear, dark bronze and black anodized (call factory for custom finishes)
- **Fire Rating**
 - Approved for use on metal swinging type minutes (Specify "FR" option for 3 hour rating)

Options Available

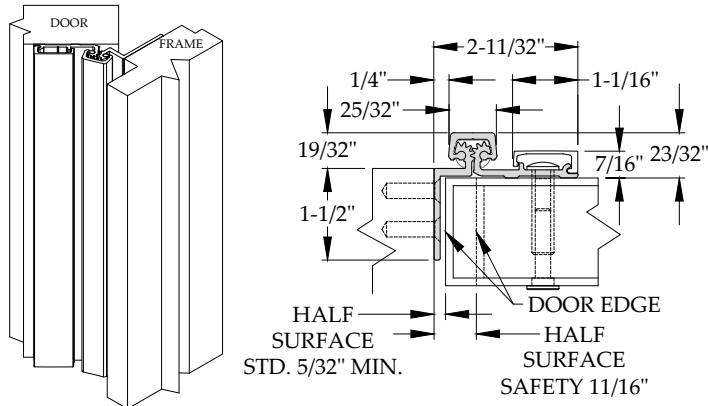
- See pages 7–10 for option availability and details.

Aluminum Continuous Geared Hinges

Half Surface Hinges

Half Mortise Hinges

A550HD



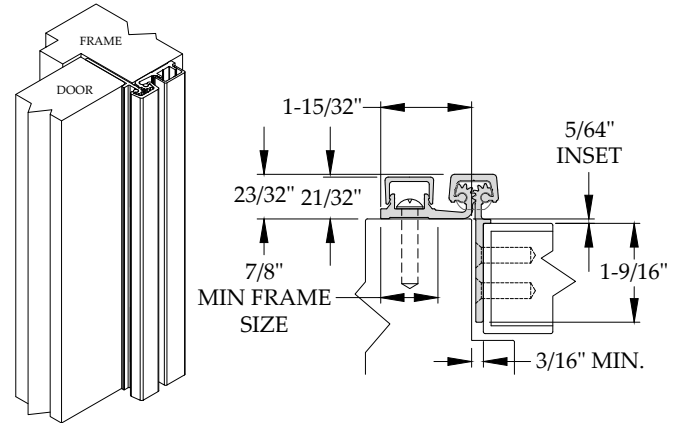
Standard Features

- Half Surface, Heavy Duty
- For double egress and center hung conversions
- 48" door width maximum
- **450 lbs. door weight maximum**
- **Fasteners:** 12-24 x 3/4" undercut self-drilling, thread-forming tek machine screws for frame and 1/4" - 20 sex bolts and shoulder bolts for door
- **Standard lengths:** 79", 83", 85", 95" and 120"
- **Finishes:** Clear, dark bronze and black anodized (call factory for custom finishes)
- **Fire Rating**
 - Approved for use on metal swinging type minutes (Specify "FR" option for 3 hour rating)

Options Available

- See pages 7-10 for option availability and details.

A520HD



Standard Features

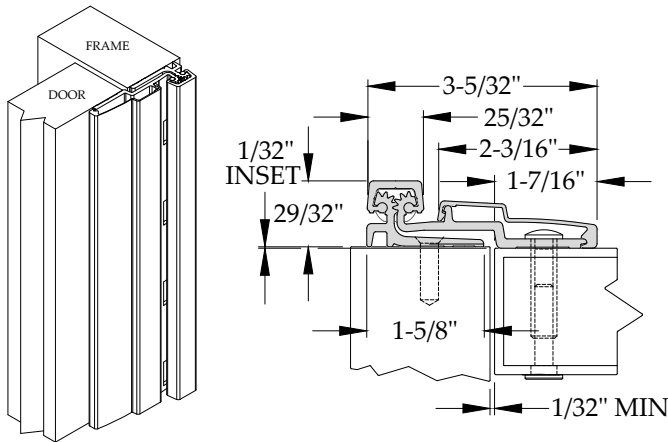
- Half Mortise, Heavy Duty
- For double egress and center hung conversions
- 48" door width maximum
- **450 lbs. door weight maximum**
- **Fasteners:** 12-24 x 1" undercut self-drilling, thread-forming tek machine screws for frame and 1/4" - 20 sex bolts and shoulder bolts for door
- **Standard lengths:** 79", 83", 85", 95" and 120"
- **Finishes:** Clear, dark bronze and black anodized (call factory for custom finishes)
- **Fire Rating**
 - Approved for use on metal swinging type minutes (Specify "FR" option for 3 hour rating)

Options Available

- See pages 7-10 for option availability and details.

Full Surface Hinges

■ A210HD



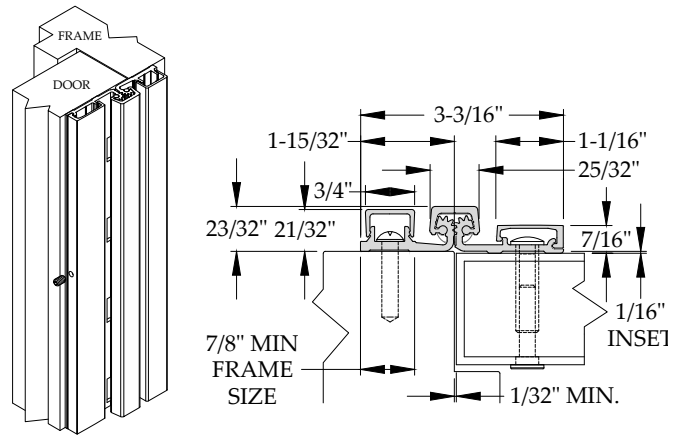
■ Standard Features

- Full Surface, Heavy Duty
- No door inset, flush mount
- Swing clear application
- 48" door width maximum
- **450 lbs. door weight maximum**
- **Fasteners:** 12-24 x 3/4" undercut self-drilling, thread-forming tek machine screws for frame and 1/4" - 20 sex bolts and shoulder bolts for door
- **Standard lengths:** 79", 83", 85", 95" and 120"
- **Finishes:** Clear, dark bronze and black anodized (call factory for custom finishes)
- **Fire Rating**
 - Approved for use on metal swinging type minutes (Specify "FR" option for 3 hour rating)

■ Options Available

- See pages 7-10 for option availability and details.

■ A570HD



■ Standard Features

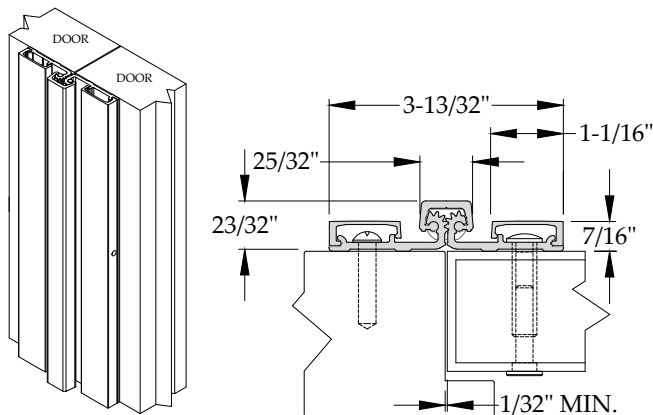
- Full Surface, Heavy Duty
- 1/16" door inset
- For narrow-faced frames
- 48" door width maximum
- **450 lbs. door weight maximum**
- **Fasteners:** 12-24 x 1" Phillips, pan head, undercut self-drilling, thread-forming tek machine screws for frame and 1/4" - 20 sex bolts and shoulder bolts for door
- **Standard lengths:** 79", 83", 85", 95" and 120"
- **Finishes:** Clear, dark bronze and black anodized (call factory for custom finishes)
- **Fire Rating**
 - Approved for use on metal swinging type minutes (Specify "FR" option for 3 hour rating)

■ Options Available

- See pages 7-10 for option availability and details.

Full Surface Hinges

■ A571HD



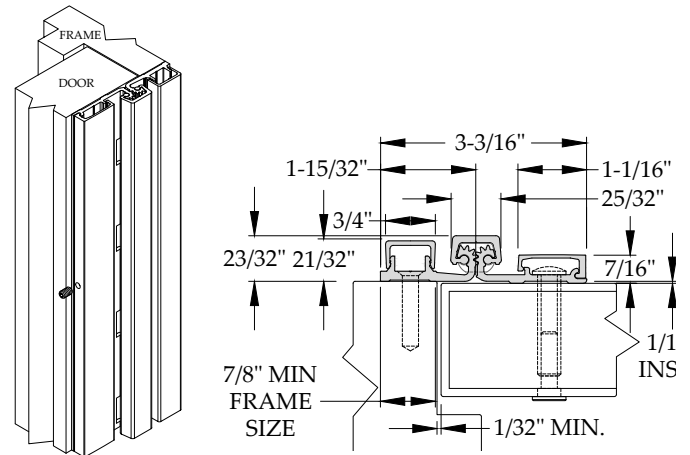
■ Standard Features

- Full Surface, Heavy Duty
- To be used for Bi-fold applications
- No inset door, flush mount
- 48" door width maximum
- **450 lbs. door weight maximum**
- **Fasteners:** 12-24 x 3/4" undercut self-drilling, thread-forming tek machine screws for frame and 1/4" - 20 sex bolts and shoulder bolts for door
- **Standard lengths:** 79", 83", 85", 95" and 120"
- **Finishes:** Clear, dark bronze and black anodized (call factory for custom finishes)
- **Fire Rating**
 - Approved for use on metal swinging type minutes (Specify "FR" option for 3 hour rating)

■ Options Available

- See pages 7-10 for option availability and details.

■ A575HD



■ Standard Features

- Full Surface, Heavy Duty
- 1/16" door inset
- For narrow-faced frames
- Countersunk frame leaf
- 48" door width maximum
- **450 lbs. door weight maximum**
- **Fasteners:** 12-24 x 3/4" undercut self-drilling, thread-forming tek machine screws for frame and 1/4" - 20 sex bolts and shoulder bolts for door
- **Standard lengths:** 79", 83", 85", 95" and 120"
- **Finishes:** Clear, dark bronze and black anodized (call factory for custom finishes)
- **Fire Rating**
 - Approved for use on metal swinging type minutes (Specify "FR" option for 3 hour rating)

■ Options Available

- See pages 7-10 for option availability and details.

CONTACT US

ORDERS

orders@abhmfg.com

Send all Purchase Orders or questions regarding existing orders.

QUOTES

quotes@abhmfg.com

Send all Quote Request or questions regarding existing quotes.

ACCOUNTS RECEIVABLES

ar@abhmfg.com

Send all questions regarding invoices, statements, credit issues or RMA requests.

CUSTOMER SERVICE

cs@abhmfg.com

Send all customer service related requests.

If you have any other questions regarding ABH products, please call 630-875-9900.



Architectural Builders Hardware Manufacturing, Inc.
1222 Ardmore Avenue, Itasca, IL 60143
630-875-9900 • (800) 932-9224
www.abhmfg.com



A:3H[®]

Manufacturing, Inc.



- Overhead Holders & Stops
- Hospital Push/Pull Latches
- Electro-Magnetic Door Holders
- Electrical Power Transfer Products
- Aluminum Continuous Geared Hinges
- Stainless Steel Edge Guards
- Pivots & Pivot Sets
- Rescue Hardware
- Coordinators, Flush Bolts & Roller Latches
- Slide Bolts, Surface Bolts & Miscellaneous Products



Stainless Steel Continuous Pin & Barrel Hinges

Stainless Steel Continuous Pin & Barrel Hinges Cross-Reference Chart

Type	ABH*	ASSA Abloy*		Hager*	Stanley*	Ives*
		Markar*	McKinney*			
Full Concealed	A500	FM300	MCK-FM300	790-900	651	700
	A5500WT	FM300WT	-	-	-	-
	A505	HG305	MCK-HG305	790-905	652	705
	A510	HG310	MCK-HG310	-	-	-
	A511	HG311	MCK-HG311	790-911	656	711
	A515	HG315	MCK-HG315	790-915	653	715
	A526	HG326	MCK-HG326	790-926	-	-
	A529	HG329	-	790-929	-	-
	A5500	FM3500	MCK-FM3500	-	651HD	-
	A5505	HG3505	MCK-HG3505	-	652HD	-
	A5515	-	-	-	653HD	-
Full Surface	A502	FS302	MCK-FS302	-	657	702
Half Surface	A503	HS303	MCK-HS303	790-903	-	-
Half Mortise	A504	HM304	MCK-HM304	790-904	654	-
	A506	HG306	MCK-HG306	790-906	655	-
Type	ABH*	ASSA Abloy*		Hager*	Stanley*	Ives*
		Markar*	McKinney*			
Hospital Tip	HT	HT-MP	HT	HT	HT	HT
Dutch Door	DD	DDP-MP	DDP	DD	DD	DD
Power Transfer Cut-Out	PT	CTP	EPT	EPT	EPT	EPT
Security Pins	SP	AVAIL	SECURITY STUDS	-	AVAIL	-
Sheared Leaf	SL	AVAIL	SHEARED LEAF	-	AVAIL	-
Adjustable Studs	AS	AS	AS	-	-	-
Clinical Bearings	CB	MB	MB	-	-	-
Lead-Lined Cover	LL	LL-MP	LL	-	-	-
Raised Barrel (Swaged)	RB	RB-MP	RB	AVAIL	RB	-
Concealed Electrical Thru-Wire (number indicates quantity of wires)	TW4	-	CC-4	ETW-4	-	TW4
	TW8	-	CC-8	ETW-8	CE-600	TW8
	TW12	-	-	-	-	-
Concealed Electrical Thru-Wires with Molex® Connectors - EZ Connect (number indicates quantity of wires)	EZ4	EL4	EL4	ETW-4	-	TW4
	EZ8	EL8	EL8	ETW-8	-	TW8
	EZ12	EL12	EL12	-	-	-
Moveable Panel for Electrical Access Prep	M	ETAP	ETAP	-	-	-
Contact Switch with Concealed Electrical Thru-Wires (number indicates quantity of wires)	CT4	-	-	-	-	-
	CT8	-	-	-	-	-
	CT12	-	-	-	-	-
Adjustable Monitoring Switch	AMS	AMS	AMS	-	-	-

*Brand names are trademarks or registered trademarks of their respective companies.

Table of Contents

General Info

Standard Features	G-2
Warranty	G-2
Fire Rating	G-2
How to Order	G-2
Hinge Types	G-3
Door Clearance Chart	G-4
Parts	G-5
Electrical Options	G-6
Non-Electrical Options	G-7

Full Concealed Models

A500	G-8
A500RB	G-8
A5500WT	G-9
A505	G-9
A505RB	G-10
A510	G-10
A511	G-11
A515	G-11
A515RB	G-12
A526	G-12
A529	G-13
A5500	G-13
A5515	G-14
A5505	G-14

Half Mortise Models

A504	G-15
A506	G-15

Half Surface Models

A503	G-16
------------	------

Full Surface Models

A502	G-16
------------	------



Stainless Steel Continuous Pin & Barrel Hinges



Innovation, Quality,
Customer Service...

General Info

Standard Features

- **Clinical Bearings** - All hinges are manufactured with clinical bearings to provide a more permanent solution to lubricating hinges and help prevent build-up of dust and other foreign substances around the knuckles of the hinge.
- **Welded End Pins** - Both the top and bottom end pins are permanently welded to the hinge so the pin will not loosen after years of use.
- Continuous hinges alleviate most common alignment problems such as door binding and sagging by evenly distributing the weight throughout the entire door and frame
- Provides extra security by eliminating the gap between the door and the frame; thus, disallowing the ability to pry the opening
- All hinges are surface applied - no mortising of the door or frame required
- Will cover old butt hinge cut-outs
- Meets and/or exceeds ANSI 156.26, Grade 1
- Templated hinges - hole patterns for the standard lengths remain consistent from one order to the next
- 3/16" diameter stainless steel pin
- Base material is heavy duty 14 gauge 304 grade stainless steel (except for A5500, A5515 and A5505 models which are heavier duty 12 gauge stainless steel)

Warranty

ABH provides a **limited lifetime warranty** on its hinges for the lifetime of the door opening, except for electrically modified hinges which carry a five year limited warranty.

Fire Rating

All ABH stainless steel pin & barrel hinge models have been tested and certified by UL® (U.S.A. and Canada) for up to and including a 3-Hour Fire Listing on all 4'0" x 10'0" doors:

- 20 minutes - wood doors
- 90 minutes - hollow metal and
 - composite core
 - wood fire doors
- 3 hours - hollow metal doors

How to Order

Example : A500 083 US32D TW4 M

Model:

Full Concealed

- A500 • A510 • A529
- A500RB • A511 • A5500
- A500WT • A515 • A5505
- A505 • A515RB • A5515
- A505RB • A526

Half Surface

- A503

Half Mortise

- A504
- A506

Full Surface

- A502

Hinge Height:

- 078 = 78-3/4"
- 083 = 83-1/8"
- 085 = 85"
- 095 = 95"
- 118 = 118-3/4"

Finish:

- US32D = Satin Stainless Steel
- US32 = Bright Stainless Steel
- Custom Finish

Options, if Applicable:

(See pages G-6 to G-7 for details and availability)

- | | | | | |
|--------|--------|----------|----------|----------------|
| • TW4 | • M | • HT | • CUT | • SL |
| • TW8 | • PT | • DD | • SNB | • ADB |
| • TW12 | • AMS | • STUD | • 1/2 WS | • CUSTOM HOLES |
| • EZ4 | • CT4 | • AS | • AWS | • NO HOLES |
| • EZ8 | • CT8 | • SEC | • LL | |
| • EZ12 | • CT12 | • SPLICE | | |



Hinge Types

Full Concealed - Both hinge leaves are concealed between the rabbet of the frame and the door.

- Standard fasteners provided (door and frame leaves):
 - 10-24 x 7/8" self-drilling, thread forming undercut tek screws
 - #10 x 1-1/4" undercut sheet metal screws (for wood applications)

Half Mortise - The frame leaf is mounted to the face of the frame and the door leaf is concealed between the rabbet of the frame and the door.

- Standard fasteners provided:
 - Door leaf is provided with:
 - 10-24 x 7/8" self-drilling, thread forming undercut tek screws
 - #10 x 1-1/4" undercut wood screws (for wood applications)
 - Frame leaf is provided with:
 - 1/4-20 x 3/4" pan head self-drilling tek screws
 - Cover clips for the fastener cover

Half Surface - The frame leaf is concealed between the rabbet of the frame and the door and the door leaf is mounted to the face of the door.

- Standard fasteners provided:
 - Door leaf is provided with:
 - 1/4-20 x 3/4" pan head self-drilling tek screws
 - Cover clips for the fastener cover
 - Frame leaf is provided with:
 - 10-24 x 7/8" self-drilling, thread forming undercut tek screws
 - #10 x 1-1/4" undercut wood screws (for wood applications)

Full Surface - Frame leaf is mounted to the face of the frame and the door leaf is mounted to the face of the door.

- Standard fasteners provided (door and frame leaves):
 - 1/4-20 x 3/4" pan head self-drilling tek screws
 - Cover clips for the fastener cover

Swing Clear

A swing clear hinge allows the door to swing completely clear of the door opening. Typically used in medical centers where the access area must be the entire door width, it allows for large items such as gurneys and wheelchairs to pass. ABH offers the **A511**, **A526** and **A529** swing clear models.

Raised Barrel

The hinge barrel is offset away from the hinge jamb on a raised barrel hinge. They are used when the door is set back in a deep reveal and there is not enough room for the hinge barrel to extend past the face of the frame. **ABH offers the A500RB**, **A505RB** and **A515RB** raised barrel models.



Full Concealed



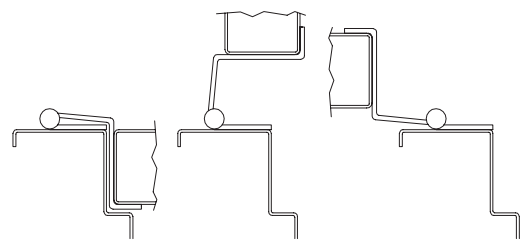
Half Mortise



Half Surface



Full Surface

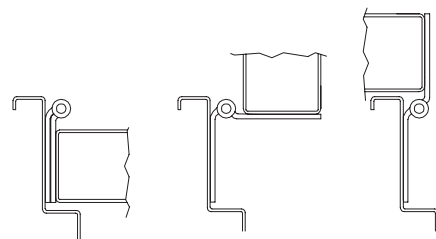


0° Opening

90° Opening

180° Opening

A511 Full Concealed, Swing Clear



0° Opening

90° Opening

180° Opening

A500RB Full Concealed, Raised Barrel



Door Clearance Chart

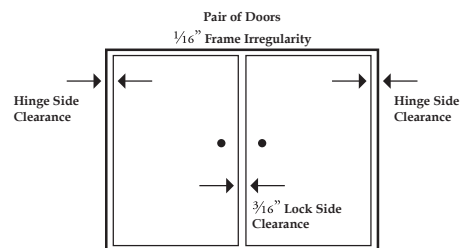
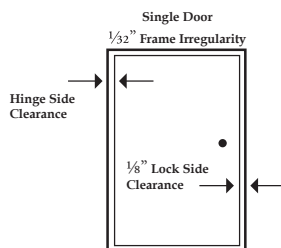
Single Door - Square Edged								
Hinge Model		Hinge Side Clearance	+	Lock Side Clearance	+	Frame Irregularity	=	Square Edged Door Undersize (Single)
Full Concealed	A500*, A500RB, A511, A515, A515RB, A529	7/32"	+	1/8"	+	1/32"	=	3/8"
	A505**, A510**, A526**	9/32"	+	1/8"	+	1/32"	=	7/16"
	A5500*, A5515	5/16"	+	1/8"	+	1/32"	=	15/32"
	A5505**	3/8"	+	1/8"	+	1/32"	=	17/32"
Half Mortise	A504*, A506	1/8"	+	1/8"	+	1/32"	=	9/32"
Half Surface	A503	1/8"	+	1/8"	+	1/32"	=	9/32"
Full Surface	A502	1/16"	+	1/8"	+	1/32"	=	7/32"

Pair of Doors - Square Edged								
Hinge Model		Hinge Side Clearance (Pair)	+	Lock Side Clearance	+	Frame Irregularity	=	Square Edged Door Undersize (Pair)
Full Concealed	A500*, A500RB, A511, A515, A515RB, A529	7/16"	+	3/16"	+	1/16"	=	11/16"
	A505**, A510**, A526**	9/16"	+	3/16"	+	1/16"	=	13/16"
	A5500*, A5515	5/8"	+	3/16"	+	1/16"	=	7/8"
	A5505**	3/4"	+	3/16"	+	1/16"	=	1"
Half Mortise	A504*, A506	1/4"	+	3/16"	+	1/16"	=	1/2"
Half Surface	A503	1/4"	+	3/16"	+	1/16"	=	1/2"
Full Surface	A502	1/8"	+	3/16"	+	1/16"	=	3/8"

* For beveled doors, standard clearance is applied to the high side (wide side) of the door.

Please add 1/32" for single beveled doors and 1/16" for pair of beveled doors (applicable for A500, A5500 and A504 only).

**When using the optional "AS" Adjustable Studs, 1/8" additional adjustment clearance is allowed.



Stainless Steel Continuous Pin & Barrel Hinges



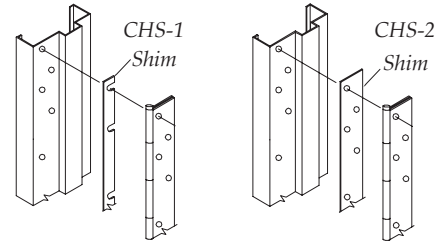
Innovation, Quality,
Customer Service...

Parts

Continuous Hinge Shims

ABH offers two different types of hinge shims, both made of 16 gauge stainless steel material. Available in standard hinge sizes (78- $\frac{3}{4}$ ", 83- $\frac{1}{8}$ ", 85", 95", 118- $\frac{3}{4}$ "). **Specify height when ordering.**

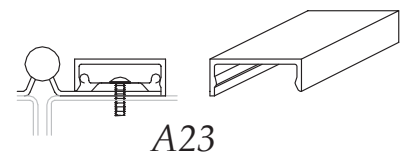
- **CHS-1** – Slip-in installation
- **CHS-2** – Hinge must be removed for installation



Replacement Covers

Available for full surface, half mortise and half surface models, replacement covers are supplied with allen head set screw and wrench for installation. They are supplied in aluminum anodized finish and for standard hinge sizes only (78- $\frac{3}{4}$ ", 83- $\frac{1}{8}$ ", 85", 95", 118- $\frac{3}{4}$ "). **Specify height when ordering.**

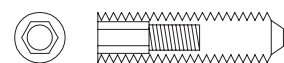
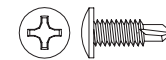
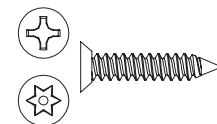
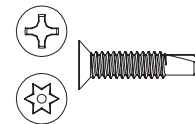
- **A23** – Hinge leaf cover for A502, A503, A504 & A506



Fasteners - Bulk Packed

– sold in quantities of 500 only

- **SSH1024FHSDS-500** - 10-24 x $\frac{7}{8}$ " Phillips flat head, undercut, self-drilling, thread-forming tek machine screw
- **SSH1024FHSDSSEC-500** - 10-24 x $\frac{7}{8}$ " Pin-in torx flat head, undercut, self-drilling, thread-forming tek machine security screw
- **SSH10FHWS-500** - #10 x 1- $\frac{1}{4}$ " Phillips flat head, undercut wood screw
- **SSH10FHWSSEC-500** - #10 x 1- $\frac{1}{4}$ " Pin-in torx flat head, undercut wood security screw
- **SSH1/420RHSDS-500** - $\frac{1}{4}$ -20 x $\frac{3}{4}$ " Round head self-drilling, thread-forming tek machine screw
- **SSH-AS-WD-500** - Adjustable Stud with 10-32 internal thread, 1- $\frac{3}{8}$ " long, right hand thread for wood door with 10-32 x $\frac{3}{4}$ " Phillips flat head, undercut machine screw
- **SSH-AS-MD-500** - Adjustable Stud with 10-32 internal thread, 1- $\frac{3}{8}$ " long, left hand thread for metal door with 10-32 x $\frac{3}{4}$ " Phillips flat head, undercut machine screw



Screw Packs

– Specify the following when ordering:

- Hinge model
- Hinge length
- Door material & frame material
- **Example:** A500083-SCR x MDMF



Architectural Builders Hardware Manufacturing, Inc.
1222 Ardmore Avenue, Itasca, IL 60143
Tel: 630-875-9900 • Fax: 630-875-9918 / 800-932-9224
Web: www.abhmfg.com • Email: abhinfo@abhmfg.com

Electrical Options

“TW” - Concealed Electrical Thru-Wire

Transfers power from the frame to the door in a discreet manner.

- **TW4** - (4) 30 AWG wires
- **TW8** - (8) 30 AWG wires
- **TW12** - (12) 30 AWG wires

“EZ” - Concealed Electrical Thru-Wire with Molex® Connectors

Transfers power from the frame to the door in a discreet manner. Molex® plug-in connectors provided for installation ease.

- **EZ4** - (4) 30 AWG wires with Molex® connectors
- **EZ8** - (8) 30 AWG wires with Molex® connectors
- **EZ12** - (12) 30 AWG wires with Molex® connectors

“M” - Moveable Electrical Access Prep

Hinge is supplied as one complete piece (pin and barrel are continuous), but both hinge leaves are cut to allow access to the electrical section without having to uninstall the hinge.

“PT” - Cut-out Prep for Power Transfer

Hinge is prepped for the use electrical power transfer to be used - must specify which model power transfer unit being used. See ABH Electrical Power Transfer section in the catalog for available models (sold separately).

“AMS” - Adjustable Monitoring Switch

Adjustable button switch is installed in the frame leaf to monitor the door position. Specify handing.

“CT” Concealed Electrical Thru-Wire and Monitor Switch

Monitor switch is installed in the frame leaf to monitor the door position while the wires transfer power from the frame to the door in a discreet manner.

- **CT4** - (4) 30 AWG wires
- **CT8** - (8) 30 AWG wires
- **CT12** - (12) 30 AWG wires

Electrical Options - Compatibility Chart		TW	EZ	M	PT	AMS	CT
Full Concealed	A500	●	●	●	●	●	●
	A500RB	●	●	●	●	●	●
	A5500WT	●	●	●	●	●	●
	A505	●	●	●	●	●	●
	A505RB	●	●	●	●	●	●
	A510				●		
	A511				●		
	A515	●	●	●	●	●	●
	A515RB	●	●	●	●	●	●
	A526				●		
	A529				●		
	A5500	●	●	●	●	●	●
	A5515	●	●	●	●	●	●
A5505	●	●	●	●	●	●	
Half Mortise	A504				●		
	A506				●		
Half Surface	A503				●		
Full Surface	A502						



Stainless Steel Continuous Pin & Barrel Hinges



Innovation, Quality,
Customer Service...

Non - Electrical Options

“CUT” - Cut to Custom Length

If a non-standard length hinge is required, ABH will cut from the bottom of the hinge to the desired length as long as it does not interfere with a screw hole. **Specify length and handing.**

“SPLICE” - Spliced Hinge

For hinges exceeding 118-3/4”, ABH splices two separate lengths with an alternately split stainless steel pin that holds the barrel together. **Specify length and handing.**

“HT” - Welded Hospital Tip

Top of the hinge barrel is cut at a 45° angle and then welded to help provide and support a safer environment in hospitals and other institutions. **Specify handing.**

“DD” - Dutch Door

Modified door leaf cut to fit a dutch door application. Go online for order form or, specify top and bottom door leaf heights as well as clearance required between top and bottom and handing when ordering.

“STUD” - Security Studs

1/2” diameter stainless steel studs are permanently mounted to the frame leaf projecting 1/4” and extend into the door leaf for added security.

“AS” - Adjustable Studs

Threaded studs are supplied for hinges with door edge guards on both faces of the door to help correct door alignment issues up to 3/8”. Additional door reinforcement required. **Specify wood or metal door.**

“SEC” - Security Fasteners

Security fasteners are supplied in lieu of standard fasteners for all exposed areas. **Specify wood or metal door and frame**

“SNB” - Sex Bolts

When using on wood doors, sex bolts are provided for the surface mounted door portion.

“LL” - Lead-Lined

Lead is provided for the door portion fastener cover for half surface and full surface hinges.

“SL” - Sheared Leaf

Concealed leaf is sheared to accommodate a 1-3/8” thick door.

“ADB” - Cut for Automatic Door Bottom

Specify automatic door bottom model when ordering.

“CUSTOM HOLE”

Contact factory with custom mounting hole locations desired for unusual frame and/or door conditions. Restrictions apply.

“NO HOLE”

Contact factory for hinge without mounting holes.

“CUSTOM FINISH”

Custom powder coated finishes available – contact factory for details. Customer color sample approval will be required prior to fabrication.

Hinge Model		CUT	SPLICE	HT	DD	STUD	AS	SEC	SNB	LL	SL	ADB	CUSTOM HOLES	NO HOLES	CUSTOM FINISH
Full Concealed	A500	•	•	•	•	•	•	•	•	•	•	•	•	•	•
	A500RB	•	•	•	•	•	•	•	•	•	•	•	•	•	•
	A550WT	•	•	•	•	•	•	•	•	•	•	•	•	•	•
	A505	•	•	•	•	•	•	•	•	•	•	•	•	•	•
	A505RB	•	•	•	•	•	•	•	•	•	•	•	•	•	•
	A510	•	•	•	•	•	•	•	•	•	•	•	•	•	•
	A511	•	•	•	•	•	•	•	•	•	•	•	•	•	•
	A515	•	•	•	•	•	•	•	•	•	•	•	•	•	•
	A515RB	•	•	•	•	•	•	•	•	•	•	•	•	•	•
	A526	•	•	•	•	•	•	•	•	•	•	•	•	•	•
	A529	•	•	•	•	•	•	•	•	•	•	•	•	•	•
	A5500	•	•	•	•	•	•	•	•	•	•	•	•	•	•
	A5515	•	•	•	•	•	•	•	•	•	•	•	•	•	•
A5505	•	•	•	•	•	•	•	•	•	•	•	•	•	•	
Half Mortise	A504	•	•	•	•	•	•	•	•	•	•	•	•	•	
	A506	•	•	•	•	•	•	•	•	•	•	•	•	•	
Half Surface	A503	•	•	•	•	•	•	•	•	•	•	•	•	•	
Full Surface	A502	•	•	•	•	•	•	•	•	•	•	•	•	•	



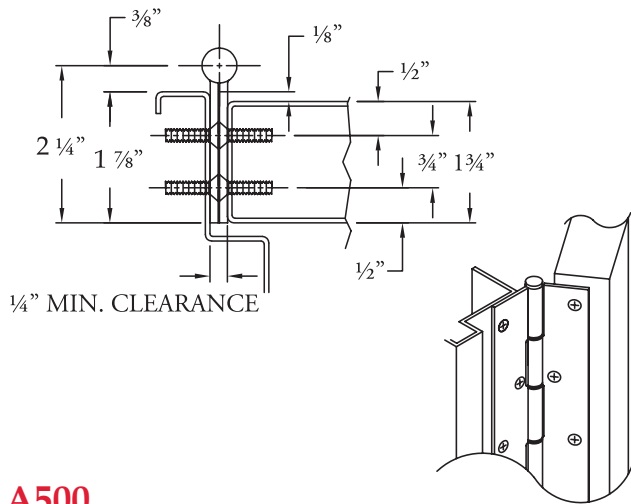
Architectural Builders Hardware Manufacturing, Inc.
1222 Ardmore Avenue, Itasca, IL 60143
Tel: 630-875-9900 • Fax: 630-875-9918 / 800-932-9224
Web: www.abhmfg.com • Email: abhinfo@abhmfg.com

Stainless Steel Continuous Pin & Barrel Hinges



Innovation, Quality,
Customer Service...

Full Concealed



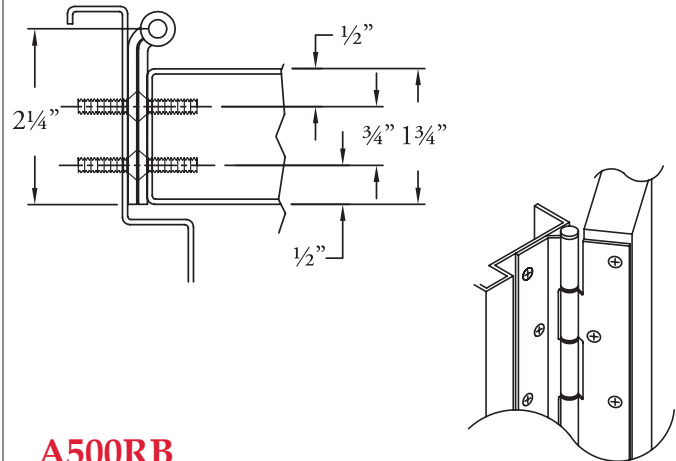
A500

Standard Features

- Full concealed, heavy duty
- 1/8" door inset
- 48" door width maximum
- 600 lbs. door weight maximum
- **Fasteners:** 10-24 x 7/8" undercut, self-drilling, thread-forming tek machine screws, stainless steel and #10 x 1-1/4" undercut wood screws, stainless steel
- **Lengths:** 78-3/4", 83-1/8", 85", 95" and 118-3/4"
- **Finishes:** US32D Satin Stainless Steel or US32 Bright Stainless Steel
- **Fire Rating** - tested and certified by UL® (U.S.A. and Canada) on 4'0" x 10'0" fire rated doors, based on the following
 - 20 minutes - wood doors
 - 90 minutes - hollow metal and composite core wood fire doors
 - 3 hours - hollow metal doors

Options Available

- See pages G-6 to G-7 for modification availability and details



A500RB

Standard Features

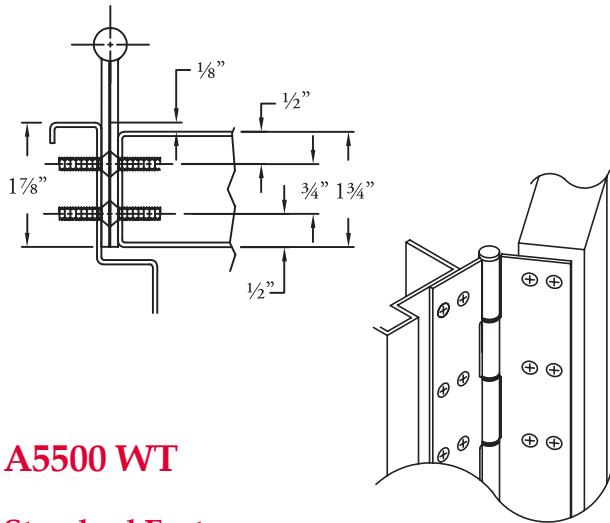
- Raised barrel (swaged) for door set back in deep reveals
- Full concealed, heavy duty
- 48" door width maximum
- 600 lbs. door weight maximum
- **Fasteners:** 10-24 x 7/8" undercut, self-drilling, thread-forming tek machine screws, stainless steel and #10 x 1-1/4" undercut wood screws, stainless steel
- **Lengths:** 78-3/4", 83-1/8", 85", 95" and 118-3/4"
- **Finishes:** US32D Satin Stainless Steel or US32 Bright Stainless Steel
- **Fire Rating** - tested and certified by UL® (U.S.A. and Canada) on 4'0" x 10'0" doors, based on the following
 - 20 minutes - wood doors
 - 90 minutes - hollow metal and composite core wood fire doors
 - 3 hours - hollow metal doors

Options Available

- See pages G-6 to G-7 for modification availability and details



Full Concealed



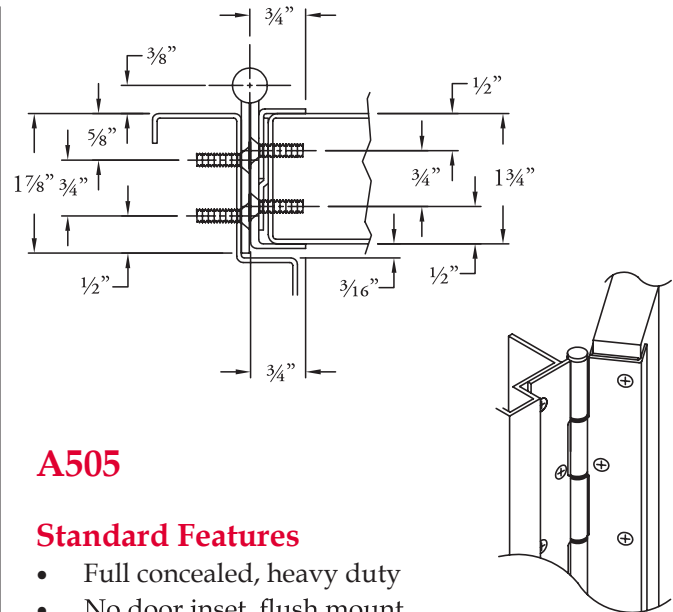
A5500 WT

Standard Features

- Full concealed, heavy duty
- 12 gauge 304 grade stainless steel material
- 1/8" door inset
- Wide throw for applications that need extra clearance for the door or the frame - 5" maximum from center of barrel to edge of hinge leaf
- The use of a caster on the lock side of tall or heavier doors is recommended to help carry to offset load
- 48" door width maximum
- 600 lbs. door weight maximum
- **Fasteners:** 12-24 x 1/2" undercut machine screws, stainless steel
- **Lengths:** 78-3/4", 83-1/8", 85" and 95"
- **Finishes:** US32D Satin Stainless Steel or US32 Bright Stainless Steel
- **Fire Rating** - tested and certified by UL® (U.S.A. and Canada) on 4'0" x 10'0" fire rated doors, based on the following
 - 20 minutes - wood doors
 - 90 minutes - hollow metal and composite core wood fire doors
 - 3 hours - hollow metal doors

Options Available

- See pages G-6 to G-7 for modification availability and details



A505

Standard Features

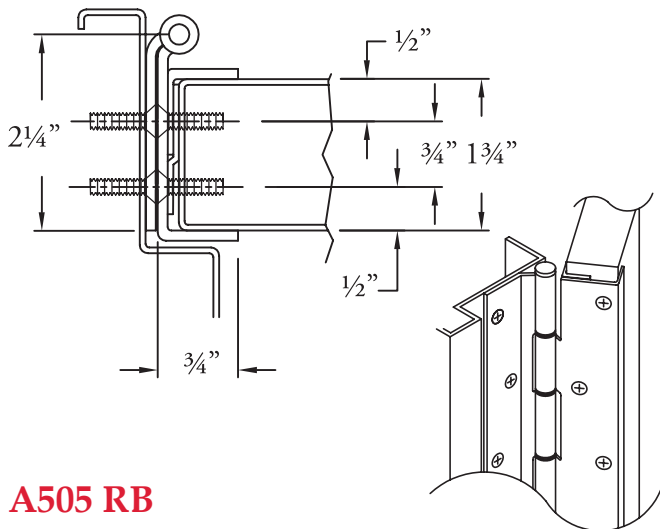
- Full concealed, heavy duty
- No door inset, flush mount
- Door edge guard on both faces of door
- 48" door width maximum
- 600 lbs. door weight maximum
- **Fasteners:** 10-24 x 7/8" undercut, self-drilling, thread-forming tek machine screws, stainless steel and #10 x 1-1/4" undercut wood screws, stainless steel
- **Lengths:** 78-3/4", 83-1/8", 85", 95" and 118-3/4"
- **Finishes:** US32D Satin Stainless Steel or US32 Bright Stainless Steel
- **Fire Rating** - tested and certified by UL® (U.S.A. and Canada) on 4'0" x 10'0" fire rated doors, based on the following
 - 20 minutes - wood doors
 - 90 minutes - hollow metal and composite core wood fire doors
 - 3 hours - hollow metal doors

Options Available

- See pages G-6 to G-7 for modification availability and details



Full Concealed



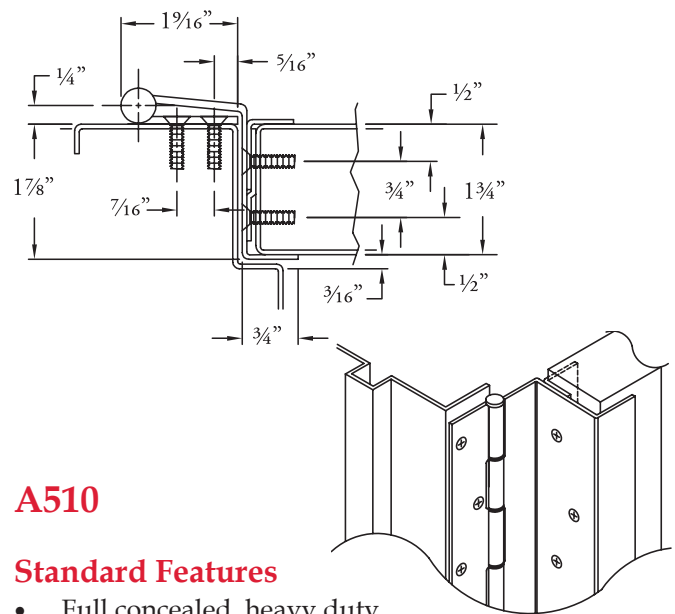
A505 RB

Standard Features

- Raised barrel (swaged) for door set back in deep reveals
- Full concealed, heavy duty
- No door inset, flush mount
- Door edge guard on both faces of door
- 48" door width maximum
- 600 lbs. door weight maximum
- **Fasteners:** 10-24 x 7/8" undercut, self-drilling, thread-forming tek machine screws, stainless steel and #10 x 1-1/4" undercut wood screws, stainless steel
- **Lengths:** 78-3/4", 83-1/8", 85", 95" and 118-3/4"
- **Finishes:** US32D Satin Stainless Steel or US32 Bright Stainless Steel
- **Fire Rating** - tested and certified by UL[®] (U.S.A. and Canada) on 4'0" x 10'0" doors, based on the following
 - 20 minutes - wood doors
 - 90 minutes - hollow metal and composite core wood fire doors
 - 3 hours - hollow metal doors

Options Available

- See pages G-6 to G-7 for modification availability and details



A510

Standard Features

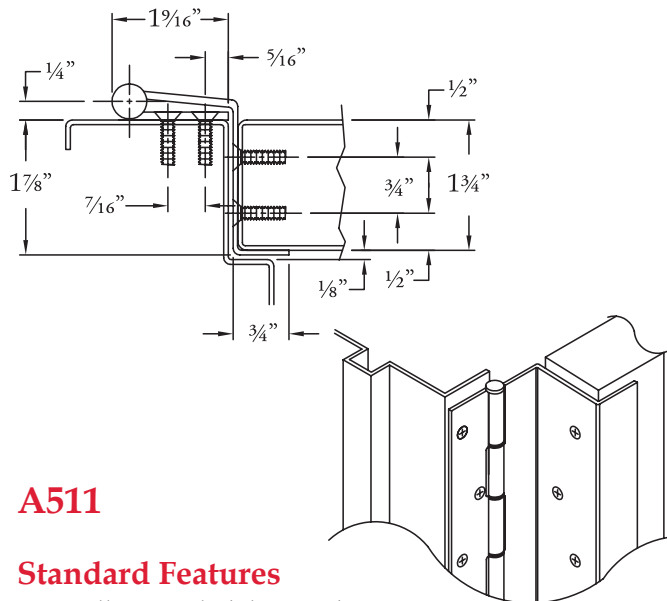
- Full concealed, heavy duty
- No door inset, flush mount
- Swing clear application
- Door edge guard on both faces of door
- 48" door width maximum
- 600 lbs. door weight maximum
- **Fasteners:** 10-24 x 7/8" undercut, self-drilling, thread-forming tek machine screws, stainless steel and #10 x 1-1/4" undercut wood screws, stainless steel
- **Lengths:** 78-3/4", 83-1/8", 85", 95" and 118-3/4"
- **Finishes:** US32D Satin Stainless Steel or US32 Bright Stainless Steel
- **Fire Rating** - tested and certified by UL[®] (U.S.A. and Canada) on 4'0" x 10'0" fire rated doors, based on the following
 - 20 minutes - wood doors
 - 90 minutes - hollow metal and composite core wood fire doors
 - 3 hours - hollow metal doors

Options Available

- See pages G-6 to G-7 for modification availability and details



Full Concealed



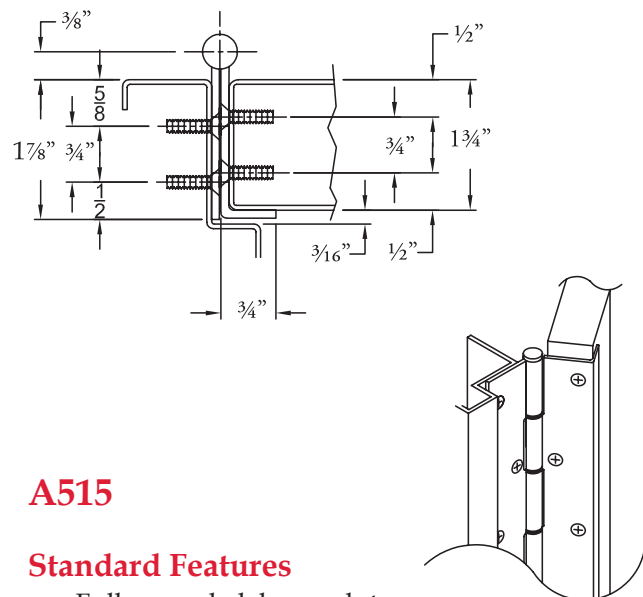
A511

Standard Features

- Full concealed, heavy duty
- No door inset, flush mount
- Swing clear
- Door edge guard on stop side only
- 48" door width maximum
- 600 lbs. door weight maximum
- **Fasteners:** 10-24 x 7/8" undercut, self-drilling, thread-forming tek machine screws, stainless steel and #10 x 1-1/4" undercut wood screws, stainless steel
- Lengths: 78-3/4", 83-1/8", 85", 95" and 118-3/4"
- **Finishes:** US32D Satin Stainless Steel or US32 Bright Stainless Steel
- **Fire Rating** - tested and certified by UL® (U.S.A. and Canada) on 4'0" x 10'0" fire rated doors, based on the following
 - 20 minutes - wood doors
 - 90 minutes - hollow metal and composite core wood fire doors
 - 3 hours - hollow metal doors

Options Available

- See pages G-6 to G-7 for modification availability and details



A515

Standard Features

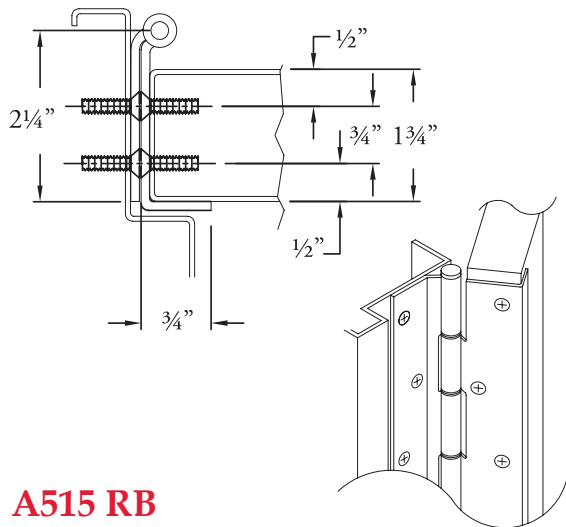
- Full concealed, heavy duty
- No door inset, flush mount
- Door edge guard on stop side only
- 48" door width maximum
- 600 lbs. door weight maximum
- **Fasteners:** 10-24 x 7/8" undercut, self-drilling, thread-forming tek machine screws, stainless steel and #10 x 1-1/4" undercut wood screws, stainless steel
- **Lengths:** 78-3/4", 83-1/8", 85", 95" and 118-3/4"
- **Finishes:** US32D Satin Stainless Steel or US32 Bright Stainless Steel
- **Fire Rating** - tested and certified by UL® (U.S.A. and Canada) on 4'0" x 10'0" fire rated doors, based on the following
 - 20 minutes - wood doors
 - 90 minutes - hollow metal and composite core wood fire doors
 - 3 hours - hollow metal doors

Options Available

- See pages G-6 to G-7 for modification availability and details



Full Concealed



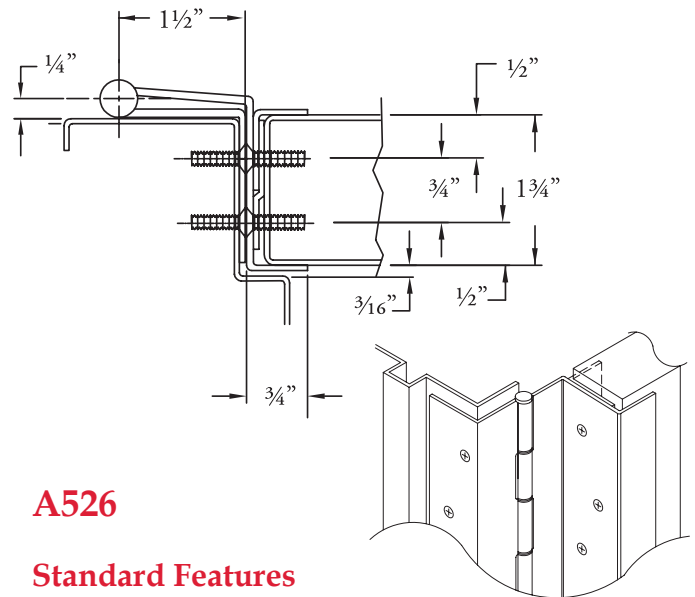
A515 RB

Standard Features

- Raised barrel (swaged) for door set back in deep reveals
- Full concealed, heavy duty
- No door inset, flush mount
- Door edge guard on stop side only
- 48" door width maximum
- 600 lbs. door weight maximum
- **Fasteners:** 10-24 x 7/8" undercut, self-drilling, thread-forming tek machine screws, stainless steel and #10 x 1-1/4" undercut wood screws, stainless steel
- **Lengths:** 78-3/4", 83-1/8", 85", 95" and 118-3/4"
- **Finishes:** US32D Satin Stainless Steel or US32 Bright Stainless Steel
- **Fire Rating** - tested and certified by UL® (U.S.A. and Canada) on 4'0" x 10'0" doors, based on the following
 - 20 minutes - wood doors
 - 90 minutes - hollow metal and composite core wood fire doors
 - 3 hours - hollow metal doors

Options Available

- See pages G-6 to G-7 for modification availability and details



A526

Standard Features

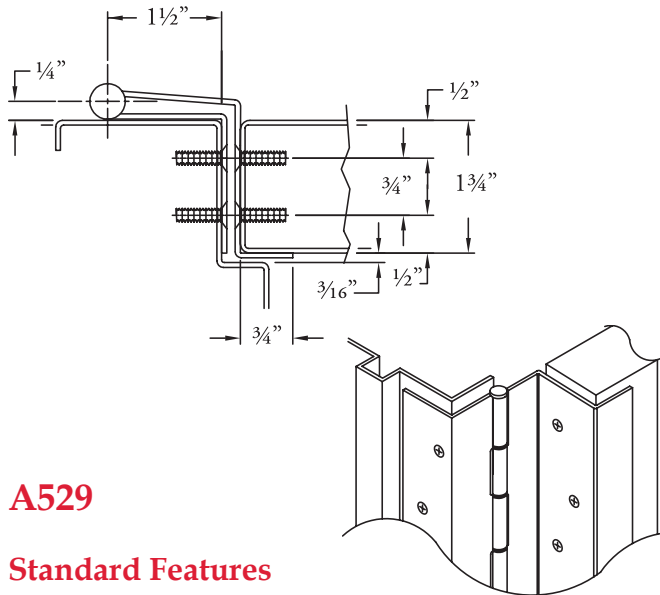
- Full concealed, heavy duty
- No door inset, flush mount
- Swing clear
- Door edge guards on both faces of the door
- 48" door width maximum
- 600 lbs. door weight maximum
- **Fasteners:** 10-24 x 7/8" undercut, self-drilling, thread-forming tek machine screws, stainless steel and #10 x 1-1/4" undercut wood screws, stainless steel
- **Lengths:** 78-3/4", 83-1/8", 85", 95" and 118-3/4"
- **Finishes:** US32D Satin Stainless Steel or US32 Bright Stainless Steel
- **Fire Rating** - tested and certified by UL® (U.S.A. and Canada) on 4'0" x 10'0" fire rated doors, based on the following
 - 20 minutes - wood doors
 - 90 minutes - hollow metal and composite core wood fire doors
 - 3 hours - hollow metal doors

Options Available

- See pages G-6 to G-7 for modification availability and details



Full Concealed



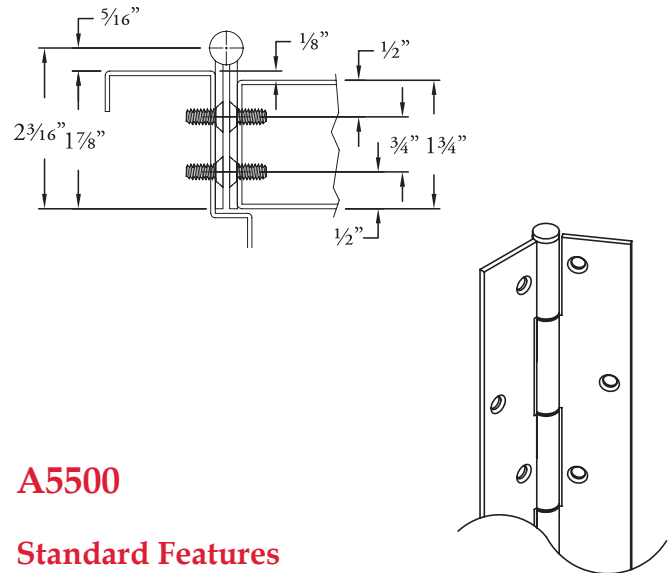
A529

Standard Features

- Full concealed, heavy duty
- No door inset, flush mount
- Swing clear
- Door edge guard on stop side only
- 48" door width maximum
- 600 lbs. door weight maximum
- **Fasteners:** 10-24 x 7/8" undercut, self-drilling, thread-forming tek machine screws, stainless steel and #10 x 1-1/4" undercut wood screws, stainless steel
- **Lengths:** 78-3/4", 83-1/8", 85", 95" and 118-3/4"
- **Finishes:** US32D Satin Stainless Steel or US32 Bright Stainless Steel
- **Fire Rating** - tested and certified by UL® (U.S.A. and Canada) on 4'0" x 10'0" fire rated doors, based on the following
 - 20 minutes - wood doors
 - 90 minutes - hollow metal and composite core wood fire doors
 - 3 hours - hollow metal doors

Options Available

- See pages G-6 to G-7 for modification availability and details



A5500

Standard Features

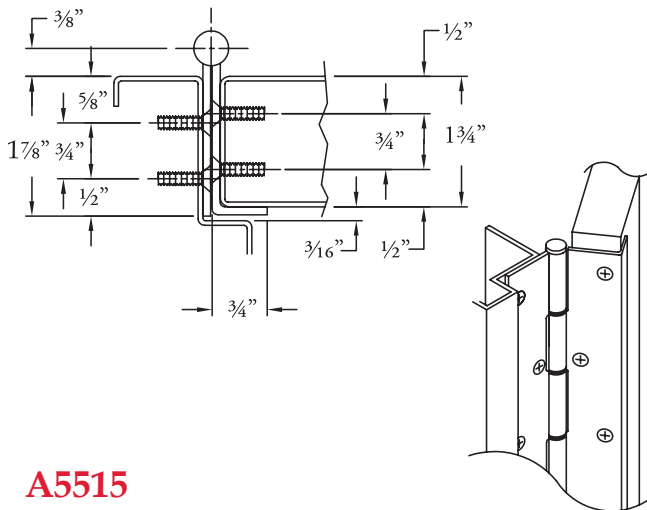
- Full concealed, extra heavy duty
- 12 gauge 304 grade stainless steel material
- 1/8" inset
- For doors up to 2-1/4" thick
- Welded hospital tip provided standard
- 48" door width maximum
- 900 lbs. door weight maximum
- **Fasteners:** 12-24 x 1/2" undercut machine screws, stainless steel
- **Lengths:** 78-3/4", 83-1/8", 85", 95" and 118-3/4"
- **Finishes:** US32D Satin Stainless Steel or US32 Bright Stainless Steel
- **Fire Rating** - tested and certified by UL® (U.S.A. and Canada) on 4'0" x 10'0" fire rated doors, based on the following
 - 20 minutes - wood doors
 - 90 minutes - hollow metal and composite core wood fire doors
 - 3 hours - hollow metal doors

Options Available

- See pages G-6 to G-7 for modification availability and details



Full Concealed



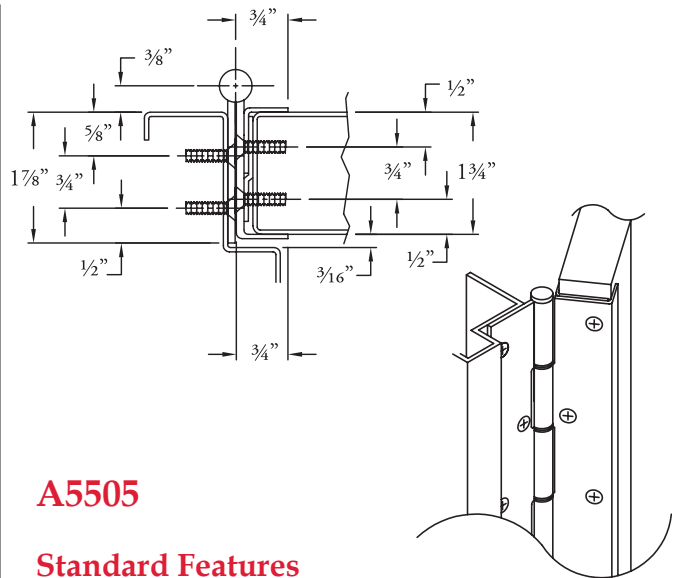
A5515

Standard Features

- Full concealed, extra heavy duty
- 12 gauge 304 grade stainless steel material
- No door inset, flush mount
- Welded hospital tip provided standard
- Door edge guard on stop side only
- 48" door width maximum
- 900 lbs. door weight maximum
- **Fasteners:** 12-24 x 1/2" undercut machine screws, stainless steel
- **Lengths:** 78-3/4", 83-1/8", 85", 95" and 118-3/4"
- **Finishes:** US32D Satin Stainless Steel or US32 Bright Stainless Steel
- **Fire Rating** - tested and certified by UL[®] (U.S.A. and Canada) on 4'0" x 10'0" fire rated doors, based on the following
 - 20 minutes - wood doors
 - 90 minutes - hollow metal and composite core wood fire doors
 - 3 hours - hollow metal doors

Options Available

- See pages G-6 to G-7 for modification availability and details



A5505

Standard Features

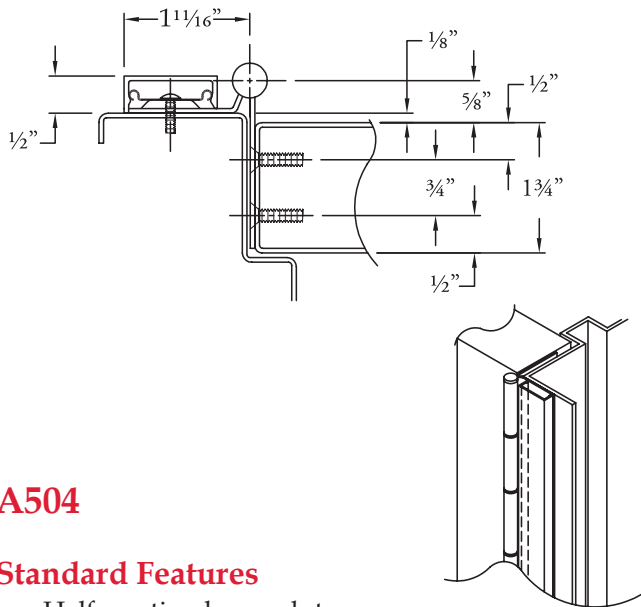
- Full concealed, heavy duty
- 12 gauge 304 grade stainless steel material for hinge leaves
- 16 gauge 304 stainless steel material for edge guard angle bracket
- No door inset, flush mount
- Welded hospital tip provided standard
- Door edge guards on both faces of the door
- 48" door width maximum
- 900 lbs. door weight maximum
- **Fasteners:** 12-24 x 1/2" undercut machine screws, stainless steel
- **Lengths:** 78-3/4", 83-1/8", 85", 95" and 118-3/4"
- **Finishes:** US32D Satin Stainless Steel or US32 Bright Stainless Steel
- **Fire Rating** - tested and certified by UL[®] (U.S.A. and Canada) on 4'0" x 10'0" fire rated doors, based on the following
 - 20 minutes - wood doors
 - 90 minutes - hollow metal and composite core wood fire doors
 - 3 hours - hollow metal doors

Options Available

- See pages G-6 to G-7 for modification availability and details



Half Mortise



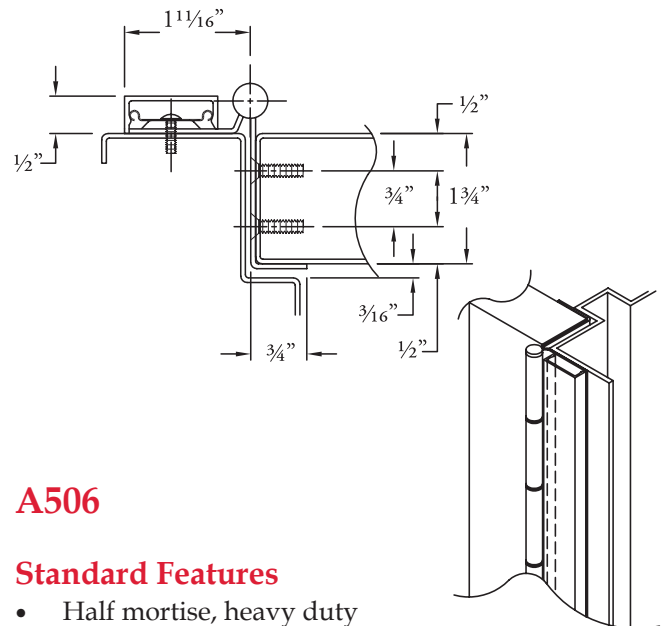
A504

Standard Features

- Half mortise, heavy duty
- 1/8" door inset
- 48" door width maximum
- 600 lbs. door weight maximum
- Frame leaf fastener cover is clear anodized aluminum
- **Fasteners:** 10-24 x 7/8" undercut, self-drilling, thread-forming tek machine screws, stainless steel for door and 1/4 -20 x 3/4" round head self-drilling tek machine screws, zinc plated for frame
- **Lengths:** 78-3/4", 83-1/8", 85", 95" and 118-3/4"
- **Finishes:** US32D Satin Stainless Steel or US32 Bright Stainless Steel
- **Fire Rating** - tested and certified by UL® (U.S.A. and Canada) on 4'0" x 10'0" fire rated doors, based on the following
 - 20 minutes - wood doors
 - 90 minutes - hollow metal and composite core wood fire doors
 - 3 hours - hollow metal doors

Options Available

- See pages G-6 to G-7 for modification availability and details



A506

Standard Features

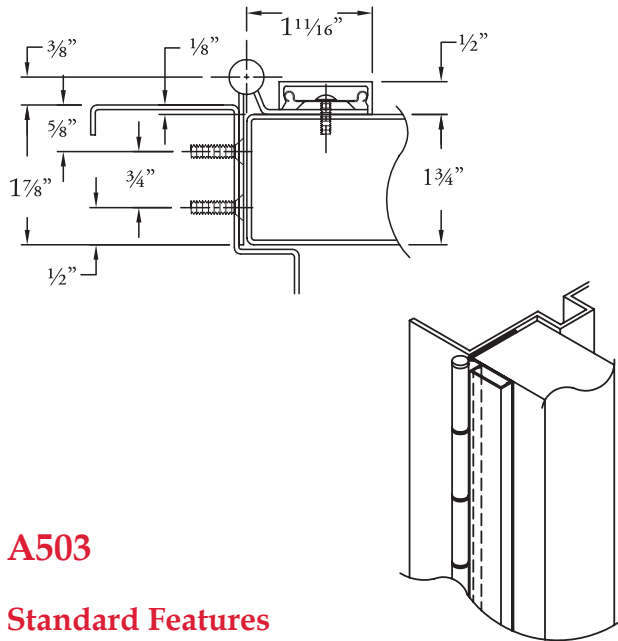
- Half mortise, heavy duty
- No door inset, flush mount
- Door edge guard on stop side only
- 48" door width maximum
- 600 lbs. door weight maximum
- Frame leaf fastener cover is clear anodized aluminum
- **Fasteners:** 10-24 x 7/8" undercut, self-drilling, thread-forming tek machine screws, stainless steel for door and 1/4 -20 x 3/4" round head self-drilling tek machine screws, zinc plated for frame
- **Lengths:** 78-3/4", 83-1/8", 85", 95" and 118-3/4"
- **Finishes:** US32D Satin Stainless Steel or US32 Bright Stainless Steel
- **Fire Rating** - tested and certified by UL® (U.S.A. and Canada) on 4'0" x 10'0" fire rated doors, based on the following
 - 20 minutes - wood doors
 - 90 minutes - hollow metal and composite core wood fire doors
 - 3 hours - hollow metal doors

Options Available

- See pages G-6 to G-7 for modification availability and details



Half Surface & Full Surface



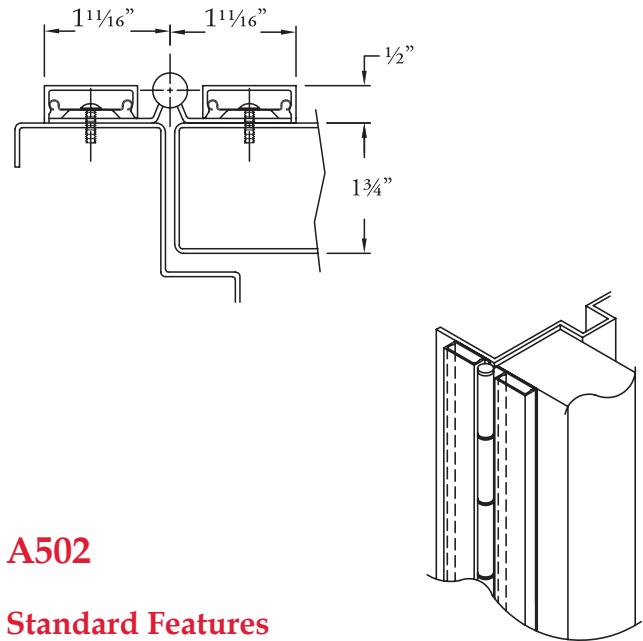
A503

Standard Features

- Half surface, heavy duty
- 1/8" door inset
- 48" door width maximum
- 600 lbs. door weight maximum
- Door leaf fastener cover is clear anodized aluminum
- **Fasteners:** 10-24 x 7/8" undercut, self-drilling, thread-forming tek machine screws, stainless steel for frame and 1/4-20 x 3/4" round head self-drilling tek machine screws, zinc plated for door
- **Lengths:** 78-3/4", 83-1/8", 85", 95" and 118-3/4"
- **Finishes:** US32D Satin Stainless Steel or US32 Bright Stainless Steel
- **Fire Rating** - tested and certified by UL® (U.S.A. and Canada) on 4'0" x 10'0" fire rated doors, based on the following
 - 20 minutes - wood doors
 - 90 minutes - hollow metal and composite core wood fire doors
 - 3 hours - hollow metal doors

Options Available

- See pages G-6 to G-7 for modification availability and details



A502

Standard Features

- Full surface, heavy duty
- No door inset, flush mount
- 48" door width maximum
- 600 lbs. door weight maximum
- Frame and door leaf fastener covers are clear anodized aluminum
- **Fasteners:** 1/4-20 x 3/4" round head self-drilling, thread-forming tek machine screws, zinc plated
- **Lengths:** 78-3/4", 83-1/8", 85", 95" and 118-3/4"
- **Finishes:** US32D Satin Stainless Steel or US32 Bright Stainless Steel
- **Fire Rating** - tested and certified by UL® (U.S.A. and Canada) on 4'0" x 10'0" fire rated doors, based on the following
 - 20 minutes - wood doors
 - 90 minutes - hollow metal and composite core wood fire doors
 - 3 hours - hollow metal doors

Options Available

- See pages G-6 to G-7 for modification availability and details

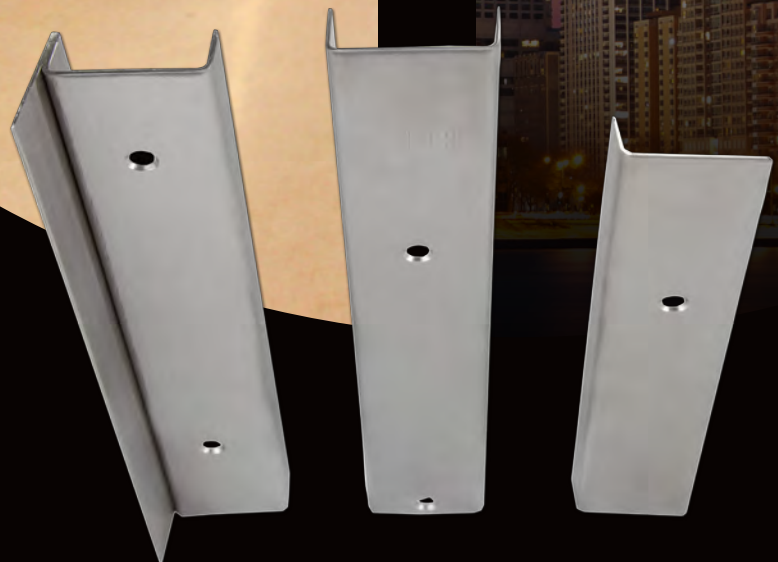


A:3H[®]

Manufacturing, Inc.



- Overhead Holders & Stops
- Hospital Push/Pull Latches
- Electro-Magnetic Door Holders
- Electrical Power Transfer Products
- Aluminum Continuous Geared Hinges
- Stainless Steel Continuous Pin & Barrel Hinges
- Pivots & Pivot Sets
- Rescue Hardware
- Coordinators, Flush Bolts & Roller Latches
- Slide Bolts, Surface Bolts & Miscellaneous Products



Stainless Steel Edge Guards

Stainless Steel Edge Guards

Cross Reference Chart

Mortised Type	ABH*	ASSA Abloy*		Trimco*	Hager*
		Markar*	Rockwood*		
2-Sided - Square Edge	A528SM	-	300	KE31-1	180H
2-Sided - Bevel Edge	A528BM	-	301	KE32-1	180K
3-Sided - Square Edge	A538SM	-	302	KE33-1	180M
3-Sided - Bevel Edge	A538BM	-	302B	KE33-1-93	180P
3-Sided - Radius Edge	A538RM	-	-	KE34-1	180Q
3-Sided with Astragal - Square Edge	A548SM	-	-	-	-
3-Sided with Astragal - Bevel Edge	A548BM	-	-	-	-
Non-Mortised Type	ABH*	ASSA Abloy*		Trimco*	Hager*
		Markar*	Rockwood*		
2-Sided - Square Edge	A528S	EG-C-308	304	-	182H
2-Sided - Bevel Edge	A528B	EG-C-308	305	-	182K
3-Sided - Square Edge	A538S	EG-308	306	-	182M
3-Sided - Bevel Edge	A538B	EG-308	306B	-	182P
3-Sided - Radius Edge	A538R	-	307	-	182Q
Overlapping - 2-Sided - Square Edge	A528SO	-	308	KE35-1	181H
Overlapping - 2-Sided - Bevel Edge	A528BO	-	309	KE36-1	181K
Overlapping - 3-Sided - Square Edge	A538SO	-	310	KE37-1	181M
Overlapping - 3-Sided - Bevel Edge	A538BO	-	310B	KE37-1-93	181P
3-Sided with Astragal - Square Edge	A548S	EG-T-308	306-AST	-	-
3-Sided with Astragal - Bevel Edge	A548B	EG-T-308	306B-AST	-	-

*Brand names are trademarks or registered trademarks of their respective companies.

Table of Contents

A528 - Two-Sided

A528S	- Square, Non-Mortised	H-2
A528B	- Beveled, Non-Mortised	H-2
A528SM	- Square, Mortised	H-2
A528BM	- Beveled, Mortised	H-2
A528SO	- Square, Overlapping	H-2
A528BO	- Beveled, Overlapping	H-2

A538 - Three-Sided

A538S	- Square, Non-Mortised	H-3
A538B	- Beveled, Non-Mortised	H-3
A538SM	- Square, Mortised	H-3
A538BM	- Beveled, Mortised	H-3
A538SO	- Square, Both Sides Overlapping	H-3
A538BO	- Beveled, Both Sides Overlapping	H-3
A538SO-1	- Square, One Side Overlapping	H-3
A538BO-1	- Beveled, One Side Overlapping	H-3
A538R	- Radius, Non-Mortised	H-3
A538RM	- Radius, Mortised	H-3

A548 - Three-Sided with Astragal

A548S	- Square, Non-Mortised	H-4
A548B	- Beveled, Non-Mortised	H-4
A548SM	- Square, Mortised	H-4
A548BM	- Beveled, Mortised	H-4

Order Forms

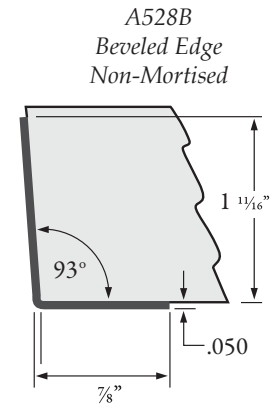
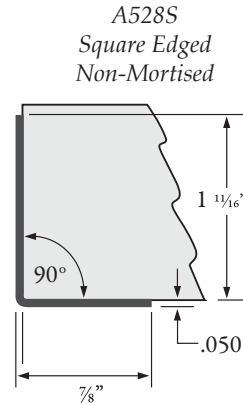
Lock Edge Order Form	H-5
Door Handing Reference Chart	H-6
Hinge Edge Order Form	H-7



A528 - Two-Sided

Standard Features

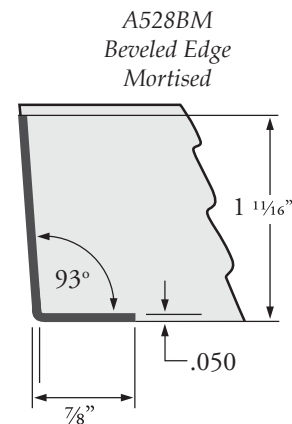
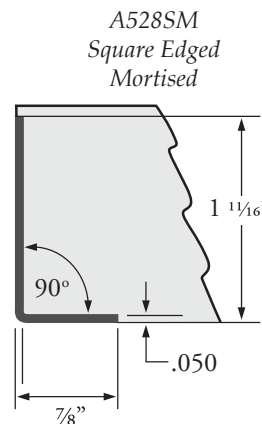
- .050" material thickness - 304 stainless steel
- Standard finishes available - US32D, US32, US10*, US10B*, US3* and US4*
- Fasteners provided - #6 x 5/8" Phillips flat head, undercut sheet metal screws
- Specify any length up to 120"
- For use on 1-3/4" door



Fire Rating

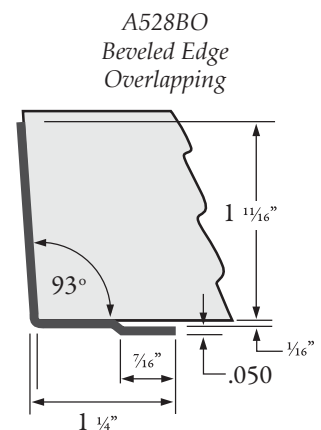
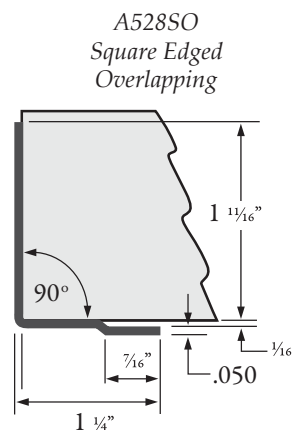
ABH edge guards come standard UL fire rated for use on:

- Wood or plastic-covered wood composite fire doors rated up to and including 1-1/2 hours
- Hollow metal, steel-covered, composite type fire doors rated up to and including 3 hours



Options

- **Cut-Outs** - ABH offers numerous cut-outs for door hardware - see pages H-5 to H-7 for details. Contact factory for custom cut-outs.
- **SEC** - Security fasteners
- Custom leg sizes available
- Custom door thicknesses available



*These finishes only available in 42" or smaller



Stainless Steel Edge Guards



Innovation, Quality,
Customer Service...

A538 - Three-Sided

Standard Features

- .050" material thickness - 304 stainless steel
- Standard finishes available - US32D, US32, US10*, US10B*, US3* and US4*
- Fasteners provided - #6 x 5/8" Phillips flat head, undercut sheet metal screws
- Specify any length up to 120"
- For use on 1-3/4" door

Fire Rating

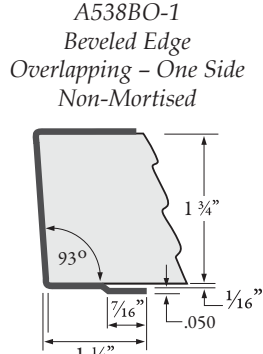
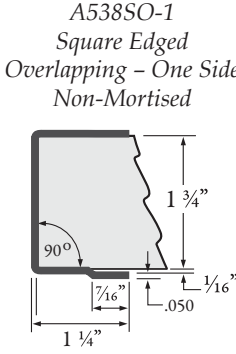
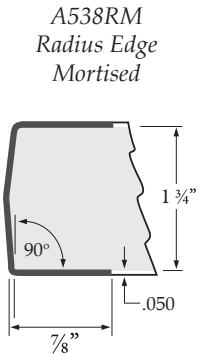
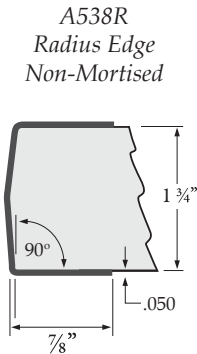
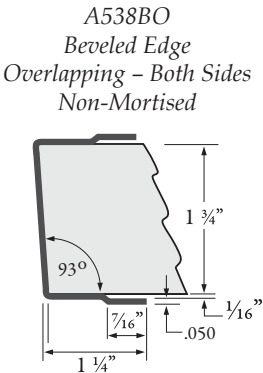
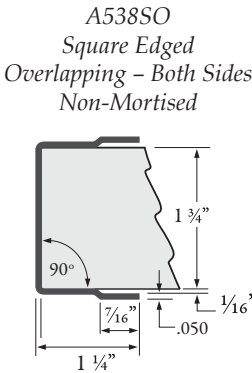
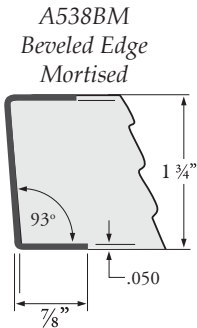
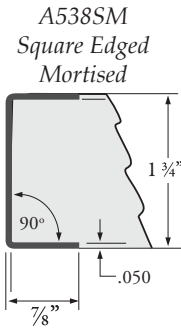
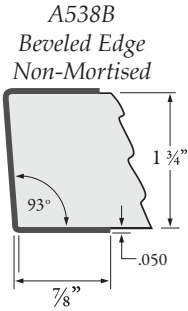
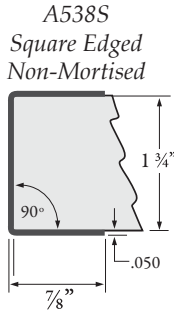
ABH edge guards come standard UL fire rated for use on:

- Wood or plastic-covered wood composite fire doors rated up to and including 1-1/2 hours
- Hollow metal, steel-covered, composite type fire doors rated up to and including 3 hours

Options

- **Cut-Outs** - ABH offers numerous cut-outs for door hardware - see pages H-6 to H-7 for details. Contact factory for custom cut-outs.
- **AS** - Adjustable Studs allow for up to 3/8" alignment correction
- **SEC** - Security fasteners
- Custom leg sizes available
- Custom door thicknesses available

*These finishes only available in 42" or smaller

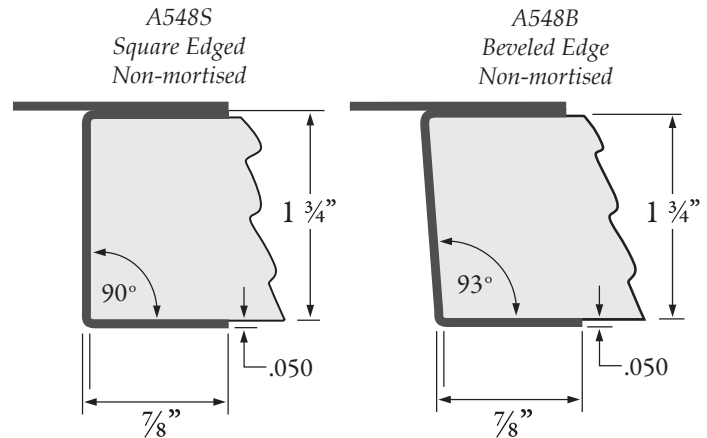


Architectural Builders Hardware Manufacturing, Inc.
1222 Ardmore Avenue, Itasca, IL 60143
Tel: 630-875-9900 • Fax: 630-875-9918 / 800-932-9224
Web: www.abhmfg.com • Email: abhinfo@abhmfg.com

A548 - Three-Sided with Astragal

Standard Features

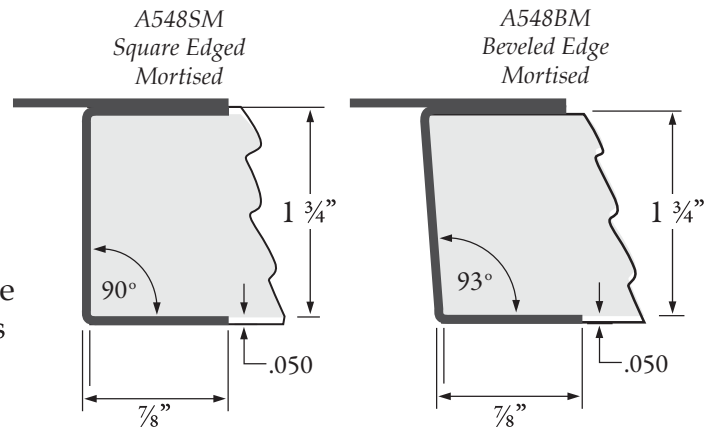
- Integral astragal provides additional security by protecting the latch from intruders or vandalism
- .050" material thickness - 304 stainless steel
- Finishes available - US32D, US32, US10*, US10B*, US3* and US4*
- Fasteners provided - #6 x 5/8" Phillips flat head, undercut sheet metal screws
- Specify any length up to 120"
- For use on 1-3/4" door
- Specify handing and either active or inactive door when ordering



Fire Rating

ABH edge guards come standard UL fire rated for use on:

- Wood or plastic-covered wood composite fire doors rated up to and including 1-1/2 hours
- Hollow metal, steel-covered, composite type fire doors rated up to and including 3 hours



Options

- **Cut-Outs** - ABH offers numerous cut-outs for door hardware - see page H-5 and H-6 for details. Contact factory for custom cut-outs.
- **LL** - Lead Lined Astragal
- **AS** - Adjustable Studs allow for up to 3/8" alignment correction
- **SEC** - Security fasteners
- Custom leg sizes available
- Custom door thicknesses available

*These finishes only available in 42" or smaller



Stainless Steel Edge Guards



Innovation, Quality,
Customer Service...

Lock Edge Order Form

Company Name: _____
 City, State: _____
 Contact Name (Please print): _____
 Email: _____
 Purchase Order #: _____ Date: _____
 Customer Signature: _____
 Door Markings: _____

UNLESS SPECIFIED OTHERWISE, ABH EDGE GUARDS ARE MANUFACTURED AS FOLLOWS:

- FOR 1 3/4" DOOR THICKNESS
- 0.050" MATERIAL THICKNESS
- 7/8" LEG

- PROVIDE MANUFACTURER TEMPLATE FOR EACH CUTOUT
- COUNTERSUNK MOUNTING HOLE QUANTITY AND LOCATION WILL BE DETERMINED AFTER CUT-OUT DIMENSIONS.

• ALL PREPS ARE CENTERED UNLESS OTHERWISE SPECIFIED

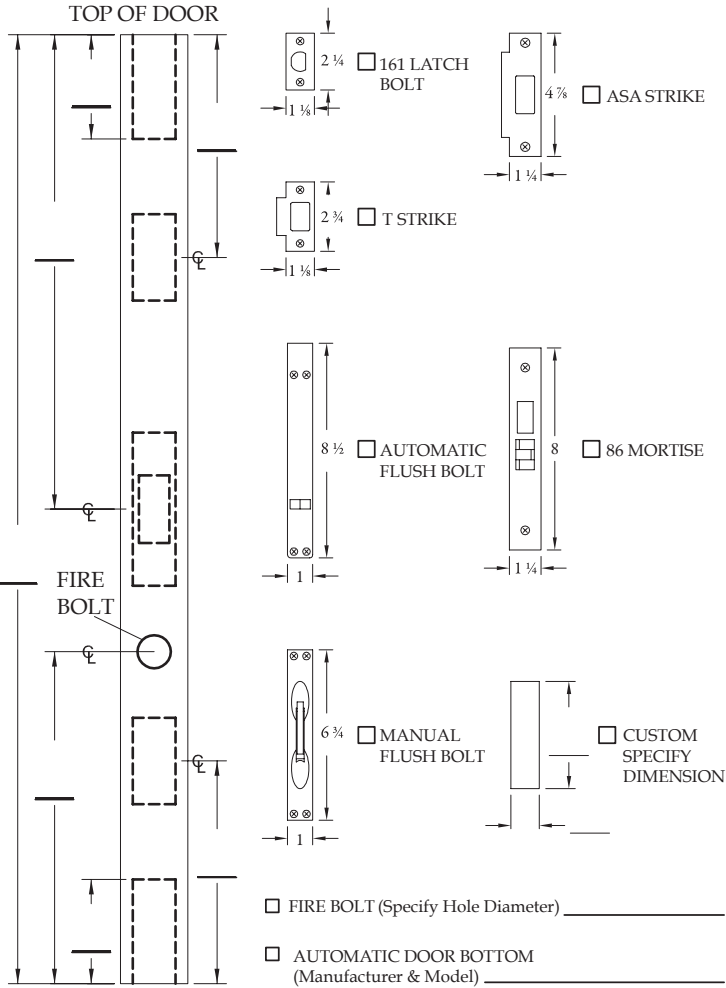
- WOOD DOOR HOLLOW METAL DOOR

• FOR A548 MODELS ONLY:

- ACTIVE INACTIVE

See door handing chart for reference - page H-6

<input type="checkbox"/> A538S	<input type="checkbox"/> A528S
<input type="checkbox"/> A538SM (MORTISED)	<input type="checkbox"/> A528SM (MORTISED)
RH QTY. _____	RH QTY. _____
LHR QTY. _____	LHR QTY. _____
LH QTY. _____	LH QTY. _____
RHR QTY. _____	RHR QTY. _____
<input type="checkbox"/> A538B	<input type="checkbox"/> A528B
<input type="checkbox"/> A538BM (MORTISED)	<input type="checkbox"/> A528BM (MORTISED)
RH QTY. _____	RH QTY. _____
LHR QTY. _____	LHR QTY. _____
LH QTY. _____	LH QTY. _____
RHR QTY. _____	RHR QTY. _____
<input type="checkbox"/> A538SO	<input type="checkbox"/> A528SO
RH QTY. _____	RH QTY. _____
LHR QTY. _____	LHR QTY. _____
LH QTY. _____	LH QTY. _____
RHR QTY. _____	RHR QTY. _____
<input type="checkbox"/> A538BO	<input type="checkbox"/> A528BO
RH QTY. _____	RH QTY. _____
LHR QTY. _____	LHR QTY. _____
LH QTY. _____	LH QTY. _____
RHR QTY. _____	RHR QTY. _____
<input type="checkbox"/> A538SO-1	<input type="checkbox"/> A548S
<input type="checkbox"/> A538BO-1	<input type="checkbox"/> A548SM (MORTISED)
RH QTY. _____	RH QTY. _____
LHR QTY. _____	LHR QTY. _____
LH QTY. _____	LH QTY. _____
RHR QTY. _____	LH QTY. _____
<input type="checkbox"/> A538BO-1	<input type="checkbox"/> A548BM (MORTISED)
RH QTY. _____	RH QTY. _____
LHR QTY. _____	LHR QTY. _____
LH QTY. _____	LH QTY. _____
RHR QTY. _____	RHR QTY. _____



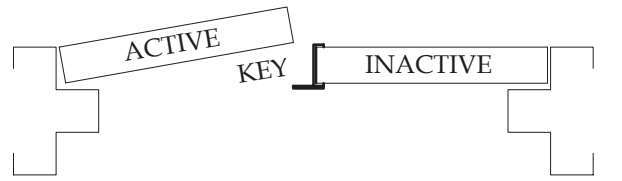
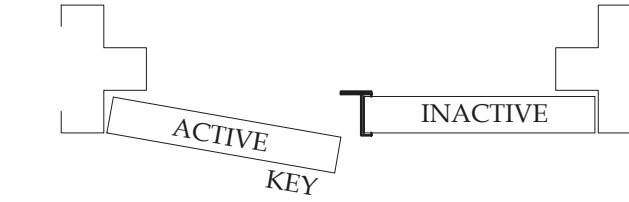
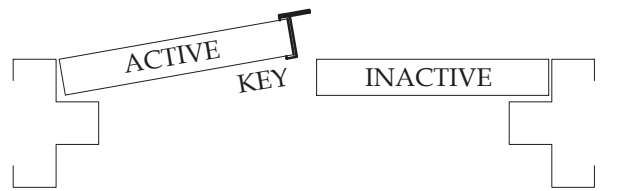
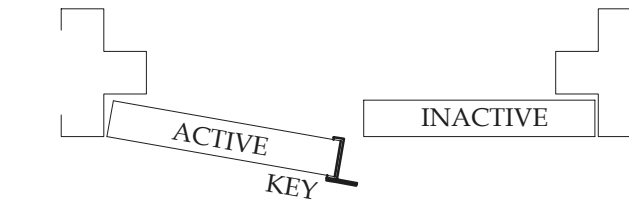
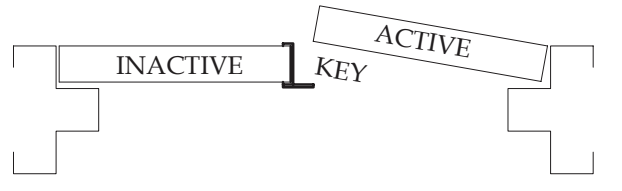
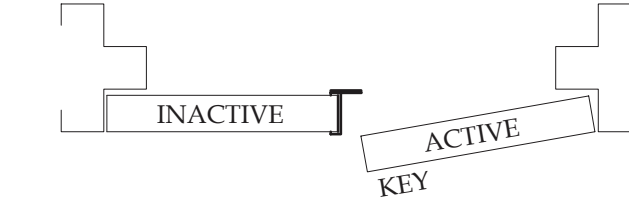
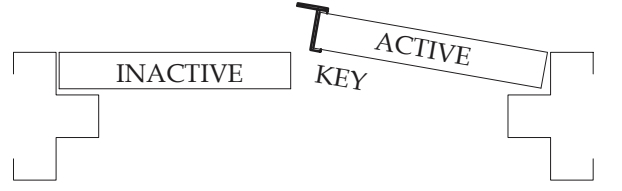

Architectural Builders Hardware Manufacturing, Inc.
 1222 Ardmore Avenue, Itasca, IL 60143
 Tel: 630-875-9900 • Fax: 630-875-9918 / 800-932-9224
 Web: www.abhmfg.com • Email: abhinfo@abhmfg.com

Stainless Steel Edge Guards



Innovation, Quality,
Customer Service...

Door Handing Reference Chart

 <p><input type="checkbox"/> LEFT HAND ACTIVE RIGHT HAND INACTIVE</p> <p>QTY. _____</p>	 <p><input type="checkbox"/> LEFT HAND REVERSE ACTIVE RIGHT HAND REVERSE INACTIVE</p> <p>QTY. _____</p>
 <p><input type="checkbox"/> LEFT HAND ACTIVE RIGHT HAND INACTIVE</p> <p>QTY. _____</p>	 <p><input type="checkbox"/> LEFT HAND REVERSE ACTIVE RIGHT HAND REVERSE INACTIVE</p> <p>QTY. _____</p>
 <p><input type="checkbox"/> RIGHT HAND ACTIVE LEFT HAND INACTIVE</p> <p>QTY. _____</p>	 <p><input type="checkbox"/> RIGHT HAND REVERSE ACTIVE LEFT HAND REVERSE INACTIVE</p> <p>QTY. _____</p>
 <p><input type="checkbox"/> RIGHT HAND ACTIVE LEFT HAND INACTIVE</p> <p>QTY. _____</p>	 <p><input type="checkbox"/> RIGHT HAND REVERSE ACTIVE LEFT HAND REVERSE INACTIVE</p> <p>QTY. _____</p>

Architectural Builders Hardware Manufacturing, Inc.
1222 Ardmore Avenue, Itasca, IL 60143
Tel: 630-875-9900 • Fax: 630-875-9918 / 800-932-9224
Web: www.abhmfg.com • Email: abhinfo@abhmfg.com



Stainless Steel Edge Guards



Innovation, Quality,
Customer Service...

Hinge Side Order Form

Company Name: _____
 City, State: _____
 Contact Name (Please print): _____
 Email: _____
 Purchase Order #: _____ Date: _____
 Customer Signature: _____
 Door Markings: _____

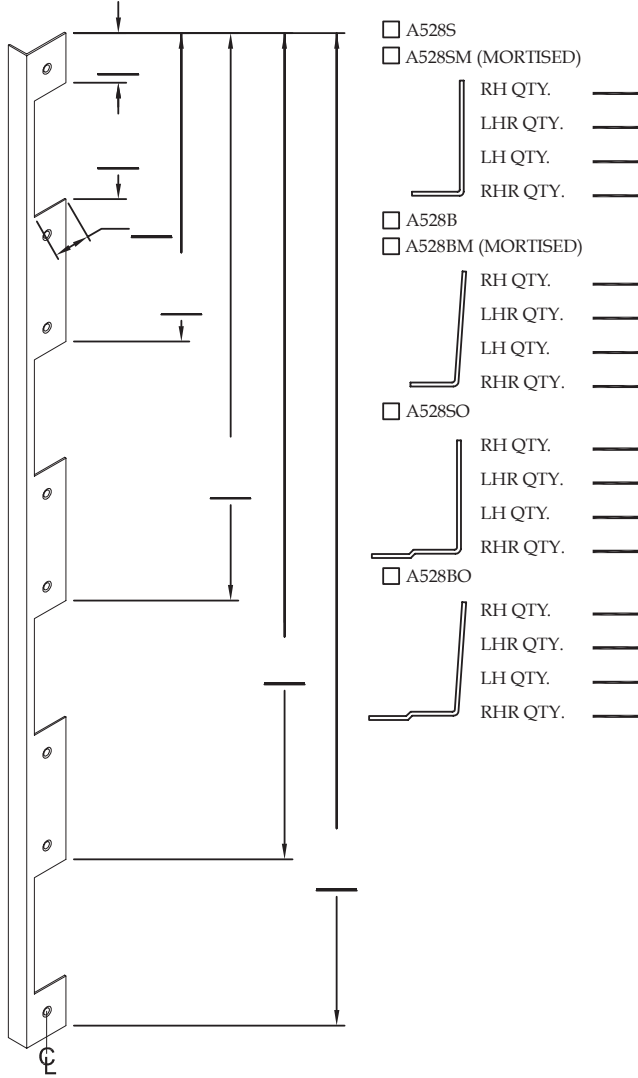
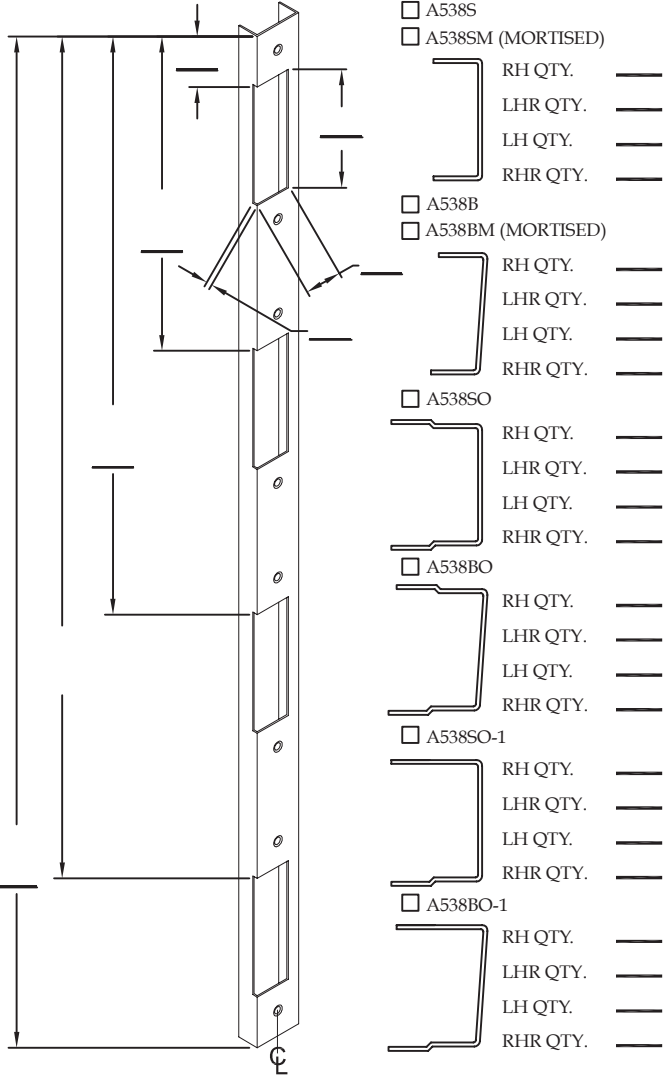
UNLESS SPECIFIED OTHERWISE, ABH EDGE GUARDS ARE MANUFACTURED AS FOLLOWS:

- FOR 1 3/4" DOOR THICKNESS
- 0.050" MATERIAL THICKNESS
- 7/8" LEG

- PROVIDE MANUFACTURER TEMPLATE FOR EACH CUTOUT
- COUNTERSUNK MOUNTING HOLE QUANTITY AND LOCATION WILL BE DETERMINED AFTER RECEIVING HINGE LOCATION DIMENSIONS.

WOOD DOOR HOLLOW METAL DOOR

See door handing chart for reference - page H-6



Architectural Builders Hardware Manufacturing, Inc.
 1222 Ardmore Avenue, Itasca, IL 60143
 Tel: 630-875-9900 • Fax: 630-875-9918 / 800-932-9224
 Web: www.abhmfg.com • Email: abhinfo@abhmfg.com

ABH[®]
MANUFACTURING INC.

PIVOTS & PIVOT SETS


















Mini Product Catalog



www.abhmfg.com
630-875-9900

Pivots & Pivot Sets

Table of Contents

	STANDARD FINISHES	1
	PIVOT CROSS REFERENCE CHART	2
	PIVOT TYPES, OPTIONS & PARTS	3
	PIVOTS & PIVOT SETS – ¾" & 1-½" OFFSET	
	0117, 0117.25	4
	0117.50, 0147	5
	0147-1.5, 0165	6
	0173, 0195	7
	0547, L0117	8
	L0147, CL0147	9
	EX0180, EXL0180	10
	INTERMEDIATE PIVOTS – ¾" & 1-½" OFFSET	
	019, 019-1.5	11
	L019, CL019	12
	INTERMEDIATE PIVOTS – ¾" & 1-½" OFFSET – ELECTRIFIED	
	CM019, CME019	13
	E019, EL019-1.5	14
	E019U, EL019	15
	EL019U	16
	CENTER HUNG PIVOTS	
	0117.75, 0127	17
	0128, 0327	18
	0370	19
	CENTER HUNG PIVOTS – ELECTRIFIED	
	E0117.75	19
	E0128, E0370	20
	CENTER HUNG TOP PIVOTS	
	0320, 0321	21
	0340, 0345	22
	CENTER HUNG TOP PIVOTS – ELECTRIFIED	
	CME0340, CME0345	23
	E0320, E0340	24
	E0345	25
	POCKET PIVOTS	
	0519, E0519	26
	REINFORCING PIVOT	
	0923, Handing Diagram	27

Standard Finishes

				ABH PRODUCTS																				
S - Standard C - Custom		ANSI #	Color Name	Door Pulls & Custom Pulls	Rescue Hardware	Electrical Power Transfers	Locking Ladder Pulls	Custom Strikes	Electromagnetic Door Holders	Surface Bolts, Slide Bolts, Vertical Rod Protectors & Covers	Roller Latches	Coordinators	Flush Bolts	Applied Stops, Pipe Stops	Overhead Holders & Stops	Hospital Push/Pulls	Cam Lift Hinges & Specialty Hinges	Custom Slim Line Pivots	Pivots & Pivot Sets	Stainless Steel Door-Edge Guards	Stainless Steel Pin & Barrel Continuous Hinges	Aluminum Geared Hinges		
PLATED FINISHES	S	US3	605/632	BRIGHT BRASS	•	•		•	•	•			•	•	•	•	•	•	•	•				
	S	US4	606/633	SATIN BRASS	•	•		•	•	•				•	•	•	•	•	•	•	•			
	C	US5	609/638	BRASS SATIN OXIDIZED	•	•		•	•	•						•	•	•	•	•	•			
	S	US9	611	BRIGHT BRONZE - CLEAR COATED	•	•		•	•	•						•	•	•	•	•	•	•		
	S	US10	612/639	SATIN BRONZE	•	•		•	•	•				•	•	•	•	•	•	•	•	•		
	C	US10A	641	ANTIQUÉ BRONZE LACQUERED	•	•		•	•	•						•	•	•	•	•	•	•		
	S	US10B	613/640	BRONZE OILED	•	•		•	•	•				•	•	•	•	•	•	•	•	•		
	C	US14	618	BRIGHT NICKEL (US32)	•	•		•	•	•						•	•	•	•	•	•	•		
	C	US14B	-	BRIGHT BLACK NICKEL	•	•		•	•	•						•	•	•	•	•	•	•		
	C	US15	619/646	SATIN NICKEL	•	•		•	•	•						•	•	•	•	•	•	•		
	C	US15A	620/647	SATIN NICKEL ANTIQUE OXIDIZED	•	•		•	•	•						•	•	•	•	•	•	•		
	C	US17A	621	SATIN BLACK NICKEL CLEAR COAT	•	•		•	•	•						•	•	•	•	•	•	•		
	S	US26	625/651	BRIGHT CHROME (US32)	•	•		•	•	•						•	•	•	•	•	•	•		
	C	US26D	626/652	SATIN CHROME (US32D)	•	•		•	•	•				•	•	•	•	•	•	•	•	•		
	S	US32D	630	SATIN STAINLESS STEEL	•	•		•	•	•				•	•	•	•	•	•	•	•	•	•	
S	US32	-	BRIGHT STAINLESS	•	•		•	•	•				•	•	•	•	•	•	•	•	•			
S	USP	600	PRIME COAT	•	•		•	•	•						•	•	•	•	•	•	•			
COATED FINISHES	S	S1	-	PAINTED ALUMINUM	•	•	•	•	•	•					•	•	•	•	•	•	•	•		
	S	S2	695	PAINTED BRASS	•	•	•	•	•	•					•	•	•	•	•	•	•	•	•	
	S	S3	694	PAINTED BRONZE	•	•	•	•	•	•					•	•	•	•	•	•	•	•	•	
	S	S4/BSP	693	BLACK SUEDE POWDER COATING	•	•	•	•	•	•				•	•	•	•	•	•	•	•	•	•	
	S	S5	695	PAINTED DARK BRONZE	•	•	•	•	•	•					•	•	•	•	•	•	•	•	•	
	S	S8/WSP	-	WHITE SUEDE POWDER COATING	•	•	•	•	•	•				•	•	•	•	•	•	•	•	•	•	
	S	AM	-	CRYSTAL CLEAR - ANTI-MICROBIAL	•	•	•	•	•	•					•	•	•	•	•	•	•	•	•	
	ANODIZED FINISHES	S	C	-	CLEAR ANODIZED (US28)			•		•		•												•
C		ABH	-	CHAMPAGNE ANODIZED																			•	
C		ABH	-	LIGHT BRONZE ANODIZED																			•	
C		ABH	-	MEDIUM BRONZE ANODIZED																			•	
S		D	-	DARK BRONZE ANODIZED																			•	
C		ABH	-	STAT BRONZE ANODIZED																			•	
S		B	-	BLACK ANODIZED																			•	
C		ABH	-	GOLD ANODIZED																			•	
C		ABH	-	CUSTOM ANODIZED FINISHES																			•	

*** Custom Finishes Available - Contact Factory**

ABH® reserves the right to make changes or improvements in design, material, parts or specifications, and "discontinue" without notice.

Pivot - Cross Reference Chart

Type	ABH	Rixson*	Ives*	Dorma*	ANSI/BHMA*	McKinney	Stanley	Markar
3/4" Offset Pivots								
	0117	117 F117	-	OP440 OP440F	C07162 C07202	-	-	-
	0117.25	117-1/4	7212 SET	-	C07172	-	-	-
	0117.50	117-1/2 F117-1/2	7227 SET 7227F SET	OPH750 OPH750F	C07121 C07202	-	-	-
	0147	147 F147	7226 SET 7226F SET	-	C07162 C07202	-	-	-
	0165	165	-	-	C07162(mod)	-	-	-
	0173	173	7222	-	C07162	-	-	-
	0180	180 F180 180-20 H180 H180-20 FH180	7212 TOP 7215 TOP 7215F/7222 7226 TOP 7226F TOP 7227 TOP 7227F TOP	75220	C07321 C07371	-	-	-
	0195	195 F195	7215 SET 7215F SET	OPJ350	C07131	-	-	-
	0547	547, F547	-	-	C07162 (mod)	-	-	-
	L0117	L117 FL117	7237F SET	OPL800	C07111	-	-	-
	L0147	L147 FL147	7230F SET	OPL440	C07162 C07202	-	-	-
	CL0147	-	-	-	-	-	-	-
	L0180	L180, FL180	7230F TOP	75140	-	-	-	-
	EX0180	-	-	-	-	-	-	-
	EXL0180	-	-	-	-	-	-	-
1-1/2" Offset Pivots								
	0147-1.5	147 x 1-1/2 OS F147 x 1-1/2 OS	7244F SET	OP15200	C07162	-	-	-
	0180-1.5	180 x 1-1/2 OS F180 x 1-1/2 OS H180 x 1-1/2 OS	7244F TOP 7245F TOP	15120	-	-	-	-
Intermediate	019-1.5	M19 x 1-1/2 OS OS-20 FM19 x 1-1/2 OS	7244F INT 7245F INT	15220	C07321 C07371	-	-	-
Offset Intermediate Pivots								
3/4" Offset	019	M19 M19-20 FM19 M190-20 FM190	7215 INT 7215F INT 7226 INT 7226F INT 7227 INT 7227F INT	751 20	-	-	-	-
3/4" Offset	L019	ML19 FML19	7230F INT 7237F INT	75240	C07311	-	-	-
3/4" Offset	CL019	-	-	-	-	-	-	-
Offset Intermediate, Electrified Pivots								
Intermediate, 3/4" Offset, Concealed, Monitoring Switch Only (No Power Transfer)	CM019	CSM19	-	-	-	-	-	-
Intermediate, 3/4" Offset, Monitoring Switch & (8) 30 AWG Wire Power Transfer	CME019	CSEM19	-	-	-	-	-	-
Intermediate, 3/4" Offset, (8) 30 AWG Wire Power Transfer	E019	EM019	7215PT INT 7226PT INT 7227PT INT	-	C07111	-	-	-
Intermediate, 1-1/2" Offset, Large Inrush, (8) 30 AWG Wire Power Transfer	E019-1.5	EM19 X 1-1/2 OS	-	-	-	-	-	-
Intermediate, 3/4" Offset, Large Inrush, (2) 18 AWG Wire Power Transfer	E019U	EM019U	-	-	-	-	-	-
Intermediate 3/4" Offset, Use for Lead-Lined Doors, (8) 30 AWG Wire Power Transfer	EL019	EML19	-	-	-	-	-	-
Intermediate, 3/4" Offset, (2) 18 AWG Wire Power Transfer	EL019U	-	-	-	-	-	-	-
Center Hung Pivots								
	0117.75	117-3/4	-	-	-	-	-	-
	0127	127-3/4	7255J SET	-	C07042	-	-	-
	0128	128-3/4	-	-	C07032	-	-	-
	0320	320	-	-	-	-	-	-
	0321	-	-	-	-	-	-	-
	0327	-	-	-	-	GP-SJ	DAP-3	-
	0340	340	7253 TOP 7255 TOP 7255J TOP 7256 TOP	-	-	-	-	-
	0345	345	-	-	-	-	-	-
	0370	370	7255 SET	CP440 CPA440	C07032	-	-	-
Center Hung, Electrified Pivots								
Center Hung, Bottom Pivot, Up to 600 lbs.	E0117.75	-	-	-	-	-	-	-
Center Hung, Bottom Pivot, Up to 500 lbs.	E0128	-	-	-	-	-	-	-
Center Hung, Top Pivot, Medium Duty, (8) 30 AWG Wire Power Transfer	E0320	-	-	-	-	-	-	-
Center Hung, Top Pivot, Heavy Duty, (8) 30 AWG Wire Power Transfer	E0340	EH340	-	-	E8062	-	-	-
Center Hung, Bottom Pivot, Heavy Duty, up to 500 lbs	E0370	-	-	-	-	-	-	-
Center Hung - Top Pivot Only, Monitoring Switch, (8) 30 AWG Wire Power Transfer	CME0340	-	-	-	-	-	-	-
Center Hung Top Pivot, Extra Heavy Duty, Monitoring Switch (8) 30 AWG Wire Power Transfer	CME0345	EH345	-	-	-	-	-	-
Pocket Pivots								
	0519	F519	-	-	-	-	-	-
Pocket Pivot, Electrified - (8) 30 AWG Wires	E0519	EF519	91105FPT	-	-	-	-	-
Reinforcing Pivot - Non-Handed								
	0923	-	-	-	-	-	-	B1923

* Brand names are trademarks or registered trademarks of their respective companies.

Pivot Types, Options & Parts

Offset Pivots

- Offset equals the dimension from the face of door to the pivot point
- Pivot point is $\frac{3}{4}$ " from heel edge of door
- For single-acting doors only

Center Hung Pivots

- Pivot point is centered in thickness of the door
- **Does not return to center (not spring loaded)**
- For use on double-acting doors, unless the door is stopped by a door stop mounted to the frame (cased opening frames)

Pocket Pivots

- Pivot point is located inside the frame
- Maximum door swing is 90°
- Door is completely clear of the door opening and flush with adjacent wall when open in the pocket

Reinforcing Pivots

- Used with other hinges to alleviate door sag in existing openings
- Surface mounts to the face of the frame header and the face of the door
- For use on $\frac{1}{8}$ " inset doors with $\frac{3}{4}$ " offset
- Non-handed

Parts – Screw Packs - Specify the following when ordering:

- "Screw Pack" followed by Pivot Model
- Finish
- Door material & frame material
- Example: Screw Pack - 019S-US32D x MDMF
- Use suffix "SEC" if security fasteners are required

Options

- **EZ Connect (Suffix "EZ")** – Eliminate the hassle of matching wires by adding Molex® Plug-in Connectors to electrified pivots.
- **Bottom Pivot Only (Suffix "B")** – For instances when only the pivot bottom is needed in the set.
- **Security Fasteners (Suffix "SEC")** – Pin-in Torx fasteners are supplied in lieu of standard for all exposed fasteners. **Specify frame and door material.**
- **Extended Spindle (Suffix "EXT-SPIN")** – Extended spindle for the bottom pivot is provided when additional clearance is required between the finished floor and the bottom of the door.

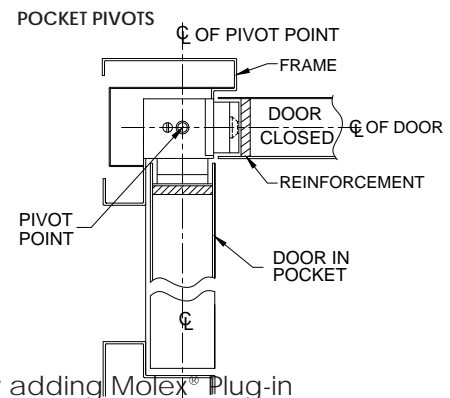
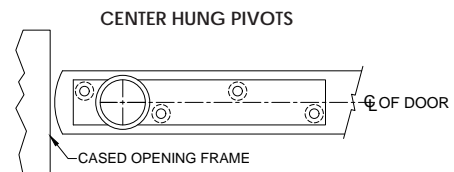
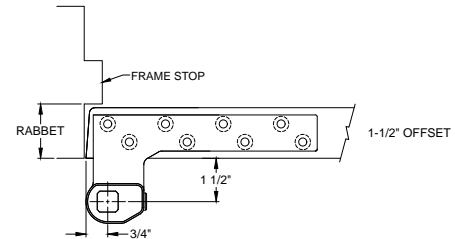
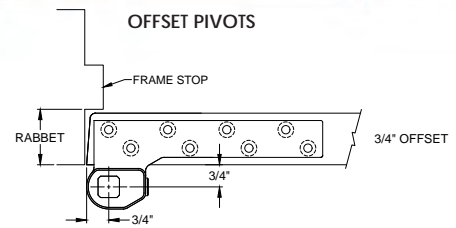
*Available in $\frac{1}{8}$ " increments up to 2" longer than standard – specify additional clearance required

- **Extended Pin (Suffix "EXT-PIN")** – Extended pin for top pivot is provided when additional clearance is required between the soffit and the top of the door.

*Available in $\frac{1}{8}$ " increments up to $\frac{3}{4}$ " longer than standard - specify additional clearance required

- **12 WIRE** - (12) 30 AWG Wires provided instead of (8) on Electrified Pivots

3



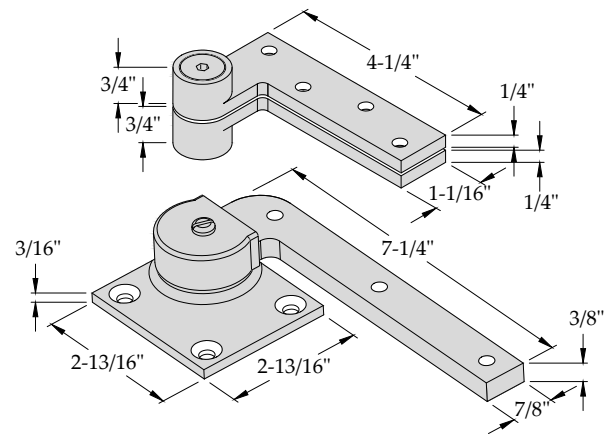
Pivots & Pivot Sets

0117 Pivot Set - 3/4" Offset

Meets or Exceeds ANSI C07162 & C07202

Standard Features

- **0180 Top Pivot**
 - Frame leaf mortises into header
 - Door leaf mortises into top of door
- **0117B Bottom Pivot**
 - Base leaf mortises into floor
 - Door leaf mortises into bottom of door
- Handed – Specify LH or RH
- **Maximum door load – 300 lbs**
- Maximum door width – 42"
- UL listed for use on 3-hour fire rated doors – **Standard**
- Heavy duty bearings
- Stainless steel base material



Options

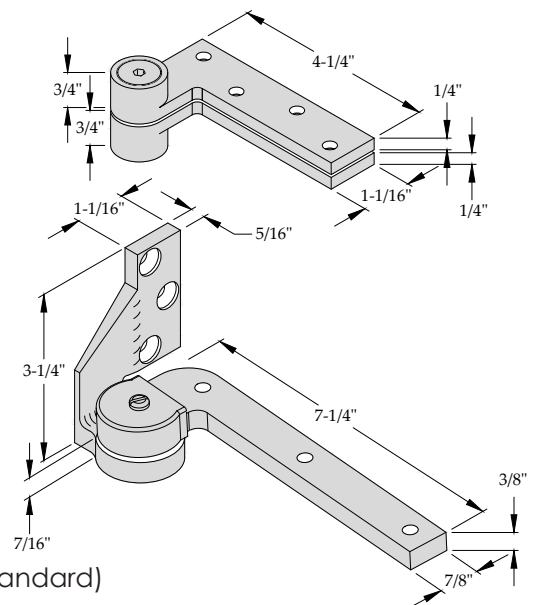
- **EXTS** – Extended Spindle on bottom pivot (up to 2" longer than standard)
- **EXTP** – Extended Pin on top pivot (up to 3/4" longer than standard)
- **SEC** – Security fasteners
- **B** – Bottom pivot only (no top pivot)

0117.25 Pivot Set - 3/4" Offset

Meets or Exceeds ANSI C07172

Standard Features

- **0180 Top Pivot**
 - Frame leaf mortises into header
 - Door leaf mortises into top of door
- **0117.25B Bottom Pivot**
 - Base leaf mortises into side jamb and rest on floor
 - Door leaf mortises into bottom of door
- Handed – Specify LH or RH
- **Maximum door load – 250 pounds**
- Maximum door width – 42"
- UL listed for use on 3-hour fire rated doors -**Standard**
- Heavy duty bearings
- Stainless steel base material



Options

- **EXTS** – Extended Spindle on bottom pivot (up to 2" longer than standard)
- **EXTP** – Extended Pin on top pivot (up to 3/4" longer than standard)
- **SEC** – Security fasteners
- **B** – Bottom pivot only (no top pivot)

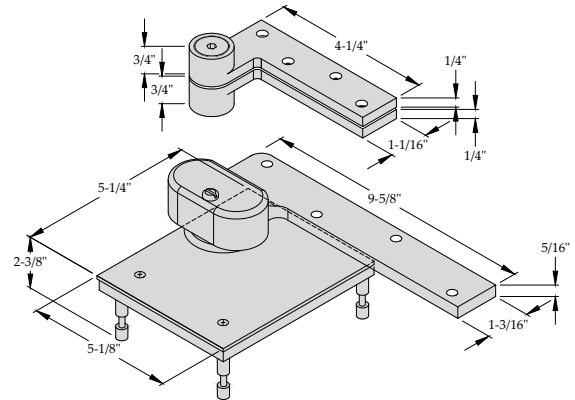
Offset Pivots & Pivot Sets

0117.50 Pivot Set - 3/4" Offset

Meets or Exceeds ANSI C07121 & C07202

Standard Features

- **0180 Top Pivot**
 - Frame leaf mortises into header
 - Door leaf mortises into top of door
- **0117.50B Bottom Pivot**
 - Base leaf mortises into floor
 - Door leaf mortises into bottom of door
- Handed – Specify LH or RH
- **Maximum door load – 650 lbs**
- Maximum door width – 48"
- UL listed for use on 3-hour fire rated doors -**Standard**
- Heavy duty bearings
- Stainless steel base material



Options

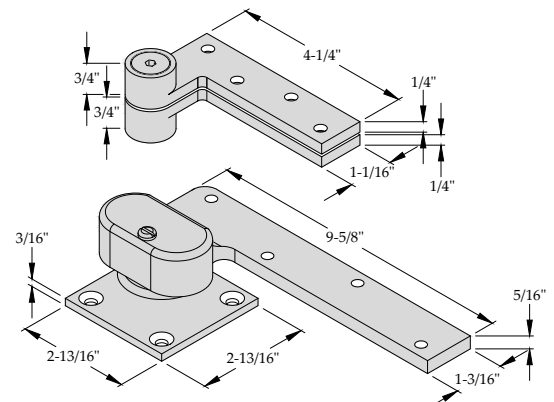
- **EXTS** – Extended Spindle on bottom pivot (up to 2" longer than standard)
- **EXTP** – Extended Pin on top pivot (up to 3/4" longer than standard)
- **SEC** – Security fasteners
- **B** – Bottom pivot only (no top pivot)

0147 Pivot Set - 3/4" Offset

Meets or Exceeds ANSI C07162 & C07202

Standard Features

- **0180 Top Pivot**
 - Frame leaf mortises into header
 - Door leaf mortises into top of door
- **0147B Bottom Pivot**
 - Base mounts to top of finished floor
 - Door leaf mortises into bottom of door
- Handed – Specify LH or RH
- **Maximum door load - 600 lbs**
- Maximum door width – 48"
- UL listed for use on 3-hour fire rated doors -**Standard**
- Heavy duty bearings
- Stainless steel base material



Options

- **EXTS** _ Extended Spindle on bottom pivot (up to 2" longer than standard)
- **EXTP** _ Extended Pin on top pivot (up to 3/4" longer than standard)
- **SEC** – Security fasteners
- **B** – Bottom pivot only (no top pivot)

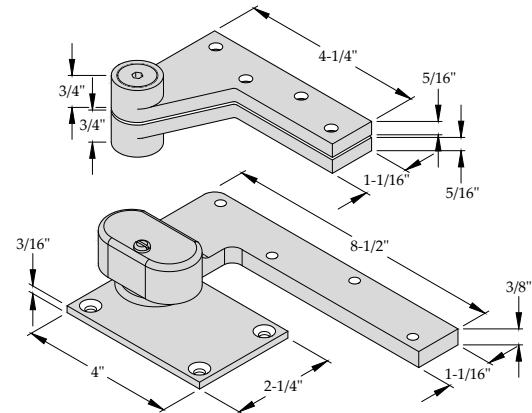
Offset Pivots & Pivot Sets

0147-1.5 Pivot Set - 1 1/2" Offset

Meets or Exceeds ANSI C07162 (modified)

Standard Features

- **0180-1.5 Top Pivot**
 - Frame leaf mortises into header
 - Door leaf mortises into top of door
- **(2) 0147-1.5B Intermediate Pivots**
 - Base mounts to top of finished floor
 - Door leaves mortise into side of door
- Handed – Specify LH or RH
For doors without bottom pivot or using floor closer
- **Maximum door load – 350 lbs**
- Maximum door width – 42"
- Heavy duty stainless steel needle bearings
- Stainless steel base material
- UL Listed



Options

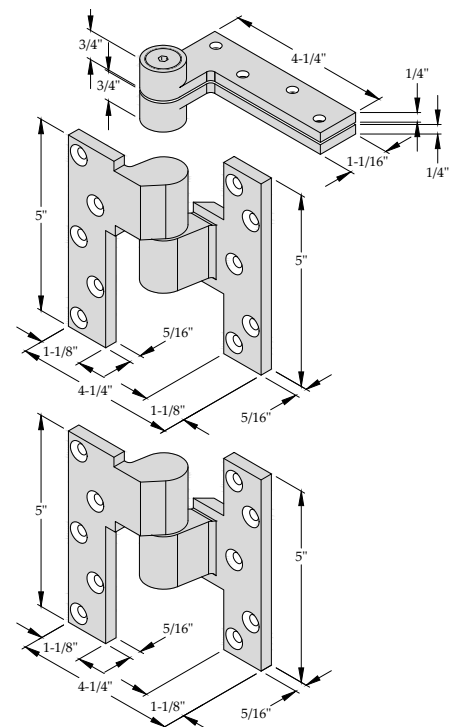
- **EXTS** – Extended Spindle on bottom pivot (up to 2" longer than standard)
- **EXTP** – Extended Pin on top pivot (up to 3/4" longer than standard)
- **SEC** – Security fasteners
- **B** – Bottom pivot only (no top pivot)

0165 Pivot Set - 3/4" Offset

Meets or Exceeds ANSI C07162 (modified)

Standard Features

- **0180 Top Pivot**
 - Frame leaf mortises into header
 - Door leaf mortises into top of door
- **(2) 019 Intermediate Pivots**
 - Frame leaves mortise into side jamb
 - Door leaves mortise into side of door
- Handed – Specify LH or RH
For doors without bottom pivot or using floor closer
- **Maximum door load – 300 lbs**
- Maximum door width – 42"
- Heavy duty stainless steel needle bearings
- Stainless steel base material



Options

- **EXTP** – Extended Pin on top pivot (up to 3/4" longer than standard)
- **SEC** – Security fasteners

Offset Pivots & Pivot Sets

0173 Pivot Set - 3/4" Offset

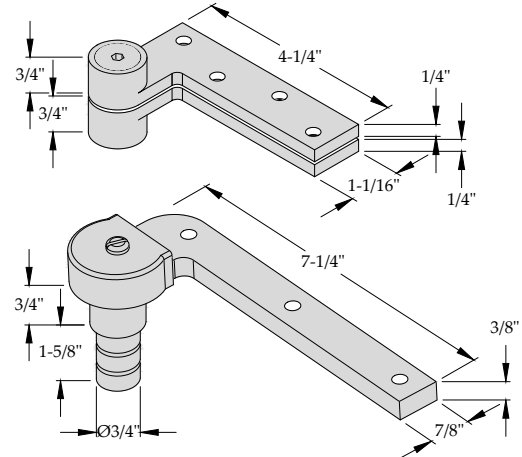
Meets or Exceeds ANSI C07162 (modified)

Standard Features

- (2) 019 Intermediate Pivots
 - Frame leaves mortise into side jamb
 - Door leaves mortise into hinge edge of door
- 0173B Bottom Pivot
 - Pivot Stud mortises into floor
 - Door leaf mortises into bottom of door
- Handed – Specify LH or RH
- For doors using Overhead Concealed Closers
- **Maximum door load – 150 lbs**
- Maximum door width – 42"
- Heavy duty bearings
- Stainless steel base material

Options

- EXTP – Extended Spindle on top pivot (up to 2" longer than standard)
- SEC – Security fasteners
- B – Bottom pivot only (no top pivot)



0195 Pivot Set - 3/4" Offset

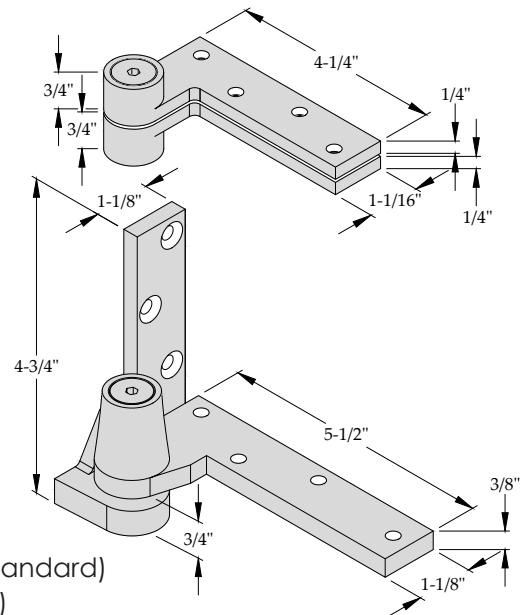
Meets or Exceeds ANSI C07131

Standard Features

- 0180 Top Pivot
 - Frame leaf mortises into header
 - Door leaf mortises into top of door
- 0195B Bottom Pivot
 - Bottom leaf mortise into side jamb and rest on floor
 - Door leaf mortises into bottom of door
- Handed – Specify LH or RH
- **Maximum door load - 450 lbs**
- Maximum door width – 48"
- UL listed for use on 3-hour fire rated doors -**Standard**
- Heavy duty stainless steel needle bearings
- Stainless steel base material

Options

- EXTS – Extended Spindle on bottom pivot (up to 2" longer than standard)
- EXTP – Extended Pin on top pivot (up to 3/4" longer than standard)
- SEC – Security fasteners
- B – Bottom pivot only (no top pivot)



Offset Pivots & Pivot Sets

0547 Pivot Set - 3/4" Offset

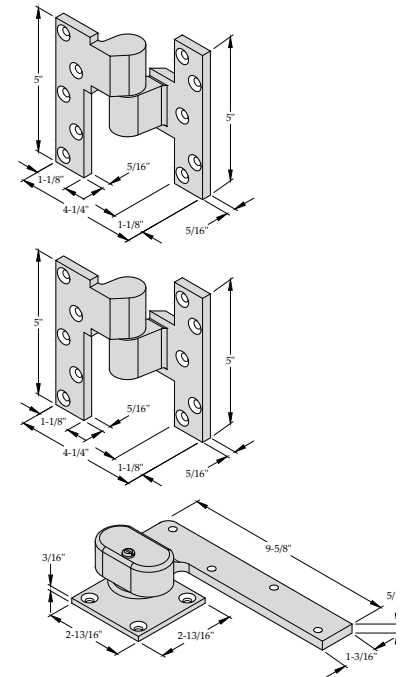
Meets or Exceeds ANSI C07162 (modified)

Standard Features

- (2) 019 Intermediate Pivots
 - Frame leaves mortise into side jamb
 - Door leaves mortise into hinge edge of door
- 0147 Bottom Pivot
 - Base leaf mounts to top of finished floor
 - Door leaf mortises into bottom of door
- Handed – Specify LH or RH
- For doors using Overhead Concealed Closers
- **Maximum door load – 500 lbs**
- Maximum door width – 42"
- Heavy duty bearings
- Stainless steel base material

Options

- EXTS – Extended Spindle on bottom pivot (up to 2" longer than standard)
- SEC – Security fasteners



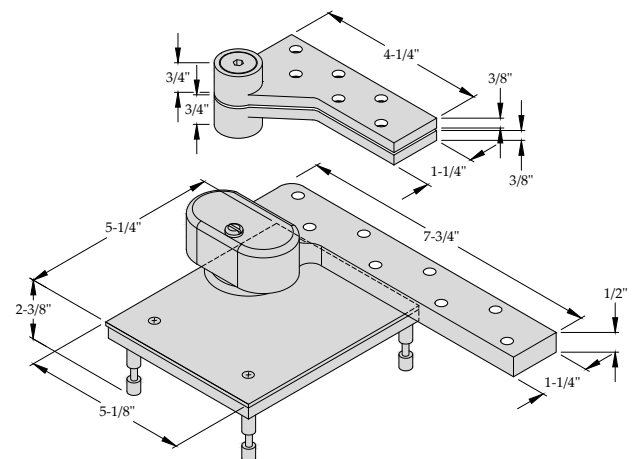
L0117 Pivot Set - 3/4" Offset

Standard Features

- 0180 Top Pivot
 - Frame leaf mortises into header
 - Door leaf mortises into top of door
- 0117B Bottom Pivot
 - Base leaf mortises to floor
 - Door leaf mortises into bottom of door
- For use on 1-3/4" lead-lined doors
- Handed – Specify LH or RH
- **Maximum door load – 1,750 lbs**
- Maximum door width – 48"
- UL listed for use on 3-hour fire rated doors -**Standard**
- Heavy duty bearings
- Stainless steel base material

Options

- EXTS – Extended Spindle on bottom pivot (up to 2" longer than standard)
- EXTP – Extended Pin on top pivot (up to 3/4" longer than standard)
- SEC – Security fasteners
- B – Bottom pivot only (no top pivot)



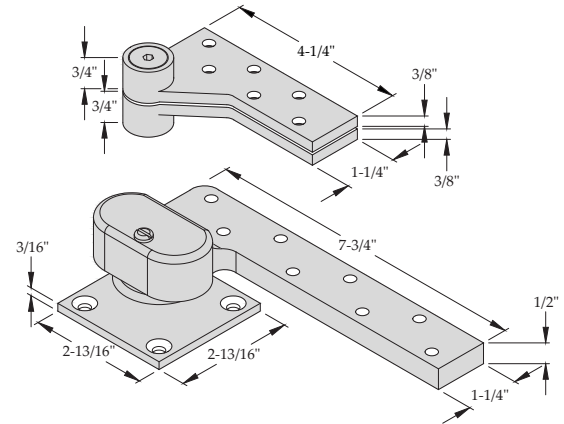
Offset Pivots & Pivot Sets

L0147 Pivot Set - 3/4" Offset

Meets or Exceeds ANSI C07121 & C07202

Standard Features

- L0180 Top Pivot
 - Frame leaf mortises into header
 - Door leaf mortises into top of door
- L0147B Bottom Pivot
 - Base leaf mounts to top of finished floor
 - Door leaf mortises into bottom of door
- Handed – Specify LH or RH
- For use on 1 3/4" lead-lined doors
- **Maximum door load - 1,000 lbs**
- Maximum door width – 48"
- UL listed for use on 3-hour fire rated doors -**Standard**
- Heavy duty bearings
- Stainless steel base material



Options

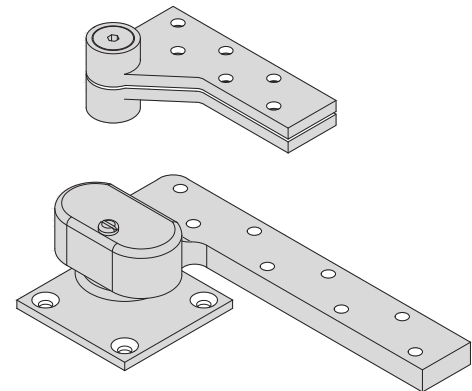
- EXTS – Extended Spindle on bottom pivot (up to 2" longer than standard)
- EXTP – Extended Pin on top pivot (up to 3/4" longer than standard)
- SEC – Security fasteners
- B – Bottom pivot only (no top pivot)

CL0147 Pivot Set - For Custom Applications

Meets or Exceeds ANSI C07121 & C07202

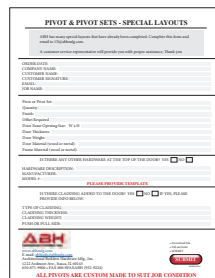
Standard Features

- CL0180 Top Pivot
 - **Custom Size**
 - Frame leaf mortises into header
 - Door leaf mortises into top of door
- CL0147B Bottom Pivot
 - **Custom Size**
 - Bottom leaf mortise into side jamb and rest on floor
 - Door leaf mortises into bottom of door
- Handed – Specify LH or RH
- Maximum door load – Will vary on application
- Maximum door width – Will vary on application
- UL listed for use on 3-hour fire rated doors -**Standard**
- Heavy duty bearings
- Stainless steel base material



Options

- EXTS – Extended Spindle on bottom pivot (up to 2" longer than standard)
- EXTP – Extended Pin on top pivot (up to 3/4" longer than standard)
- SEC – Security fasteners
- B – Bottom pivot only (no top pivot)



"SPECIAL" PDF FORM TO BE FILLED OUT WHEN ORDERING CUSTOM APPLICATIONS

Pivot & Pivot Sets

Form located in the Downloads of Pivots at www.abhmfg.com

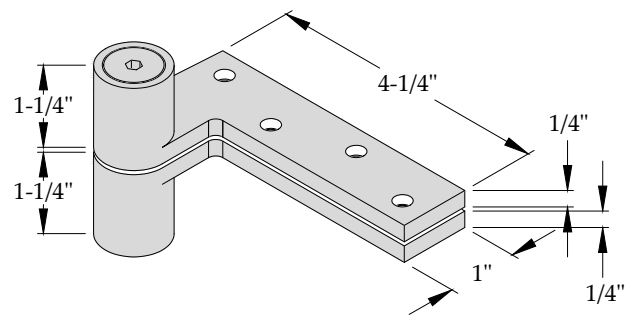


Offset Pivots & Pivot Sets

EX0180 Pivot Set - 3/4" Offset

Standard Features

- EX0180 Top Pivot
 - 3/4" Offset Top Pivot with extended pin
 - For use with heavy-duty applications
 - Must be used with compatible 3/4" offset bottom pivot or floor closer
 - Mortises into header and top of door
 - Non-Handed
 - Stainless Steel base material



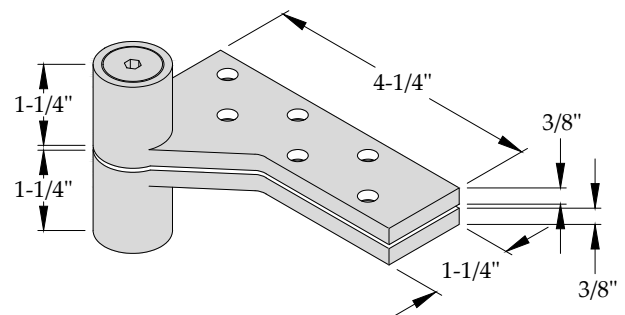
Options

- SEC – Security fasteners

EXL0180 Pivot Set - 3/4" Offset

Standard Features

- EXL0180 Top Pivot
 - 3/4" Offset Top Pivot with extended pin
 - For use on lead-lined doors, or extra heavy duty application
 - Must be used with compatible 3/4" offset bottom pivot or floor closer
 - Mortises into header and top of door
 - Non-Handed
 - Stainless Steel base material



Options

- SEC – Security fasteners

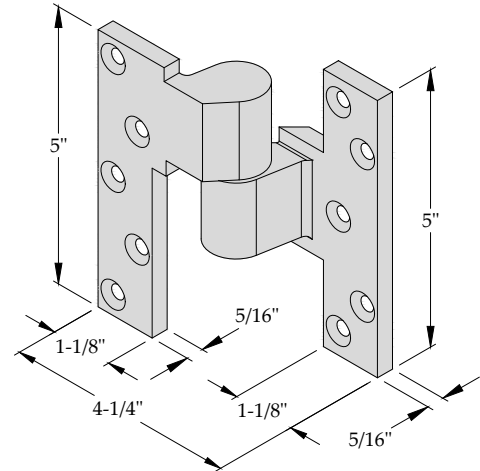
Offset Intermediate Pivots

019 Intermediate Pivot - 3/4" Offset

Meets or Exceeds ANSI C07321 & C07371

Standard Features

- Doors ranging from 60"- 90" tall should use one intermediate pivot. An additional intermediate pivot should be used for each additional 30" in door height.
- Mortises into side jamb and hinge edge of door
- Handed – Specify LH or RH
- For use with 3/4" offset pivot sets
- Helps maintain door alignment
- UL listed for use on 3-hour fire rated doors – **Standard**
- Heavy duty stainless steel needle bearings
- Stainless steel base material

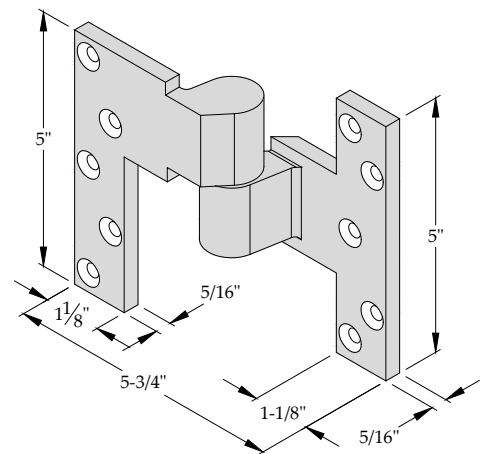


019-1.5 Intermediate Pivot - 1 1/2" Offset

Meets or Exceeds ANSI C07321 & C07371

Standard Features

- Doors ranging from 60"- 90" tall should use one intermediate pivot. An additional intermediate pivot should be used for each additional 30" in door height.
- Mortises into side jamb and hinge edge of door
- Handed – Specify LH or RH
- For use with 1 1/2" offset pivot sets
- Helps maintain door alignment
- UL listed for use on 3-hour fire rated doors – **Standard**
- Heavy duty stainless steel needle bearings
- Stainless steel base material



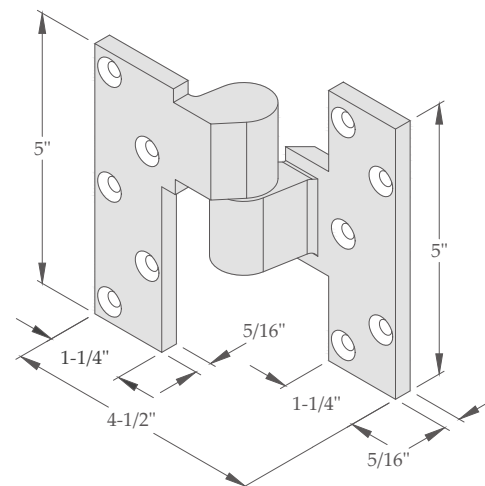
Offset Intermediate Pivots

L019 Intermediate Pivot - 3/4" Offset

Meets or Exceeds ANSI C07311

Standard Features

- Doors ranging from 60"- 90" tall should use one intermediate pivot
An additional intermediate pivot should be used for each additional 30" in door height.
- Mortises into side jamb and hinge edge of door
- Handed – Specify LH or RH
- For use with 3/4" offset lead-lined pivot sets
- For use with a 1-3/4" lead-lined doors
- Helps maintain door alignment
- UL listed for use on 3-hour fire rated doors – **Standard**
- Heavy duty stainless steel needle bearings
- Stainless steel base material

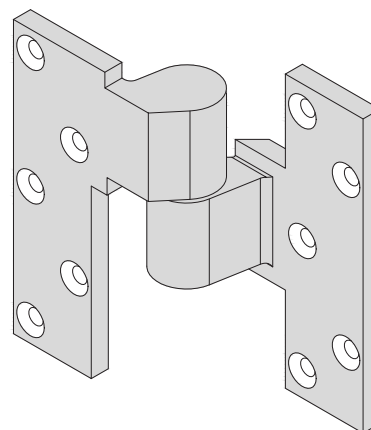


CL019 Intermediate Pivot For Custom Applications

Meets or Exceeds ANSI C07311

Standard Features

- **Custom size**
- Number of intermediate pivots will be determined by custom application
- Mortises into side jamb and hinge edge of door
- Handed – Specify LH or RH
- Helps maintain door alignment
- UL listed for use on 3-hour fire rated doors – **Standard**
- Heavy duty stainless steel needle bearings
- Stainless steel base material



PIVOT & PIVOT SETS - SPECIAL LAYOUTS	
<p>ABH has many special layouts that have already been completed & complete the base and special in 24-48 hours. A customer service representative will provide you with program assistance. Thank you.</p>	
<p>ORDER NUMBER CUSTOMER NAME CUSTOMER ADDRESS CITY STATE ZIP CODE</p>	<p>Model or Item No. Quantity Material Other Request Order Date (Shipping Day: W = 4) Ship Method Order Weight Order Height (inches) From Material (inches) From Material (inches)</p>
<p>IF THERE ARE ANY OTHER HARDWARE AT THE TOP OF THE DOOR THE <input type="checkbox"/> IF YES PLEASE PROVIDE DETAILS</p>	
<p>IF THERE ARE ANY OTHER HARDWARE AT THE TOP OF THE DOOR THE <input type="checkbox"/> IF YES PLEASE PROVIDE DETAILS</p>	
<p>TYPE OF GLASSING: GLASSING LOCATION: GLASSING WEIGHT: GLASSING TYPE:</p>	
<p>ABH Architectural Builders Hardware Manufacturing, Inc. 1222 Ardmore Avenue, Itasca, IL 60143 (630) 875-9900 • Fax (800) 932-9224 • www.ABHmfg.com • quotes@abhmfg.com ALL PIVOTS ARE CUSTOM MADE TO SUIT JOB CONDITIONS</p>	

"SPECIAL" PDF FORM TO BE FILLED OUT WHEN ORDERING CUSTOM APPLICATIONS

Pivot & Pivot Sets

Form located in the Downloads of Pivots at www.abhmfg.com

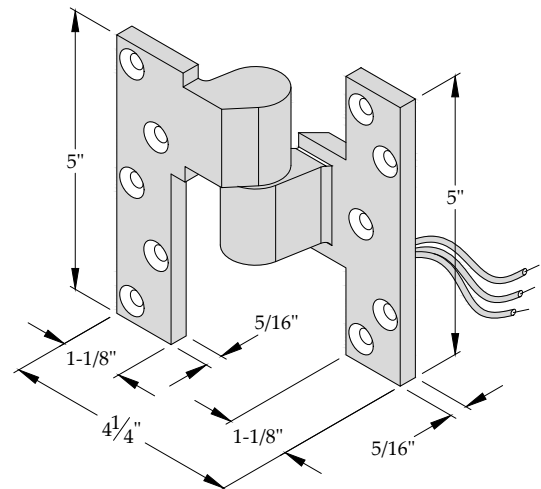


Offset Intermediate, Electrified Pivots

CM019 Intermediate Pivot - Concealed Monitoring Switch

Standard Features

- Concealed door position monitor switch included
 - Monitor with Switch (3) 22 AWG Wire leads on frame leaf
- Mortises into side jamb and hinge edge of door
- Handed – Specify LH or RH
- For use with 3/4" offset pivot sets
- UL listed for use on 3-hour fire rated doors – **Standard**
- Heavy duty stainless steel needle bearings
- Stainless steel base material



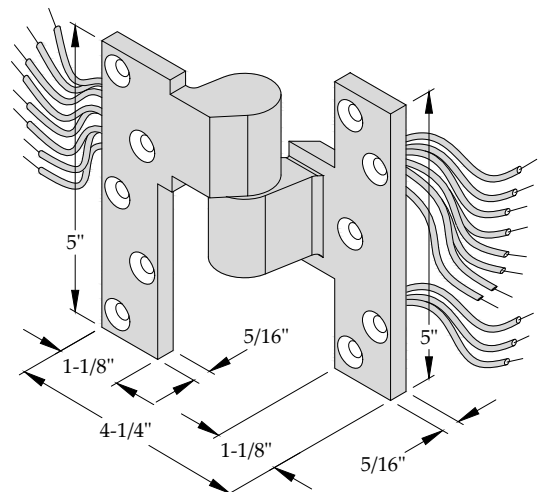
Options

- SEC – Security fasteners

CME019 Intermediate Pivot - Electrified - 3/4" Offset

Standard Features

- Provides electrical power transfer from the frame to the door
 - (8) 30 AWG Wires
- Concealed door position monitor switch included
 - Monitor with Switch (3) 22 AWG Wire leads on frame leaf
- Mortises into side jamb and hinge edge of door
- Handed – Specify LH or RH
- For use with 3/4" offset pivot sets
- UL listed for use on 3-hour fire rated doors – **Standard**
- Heavy duty stainless steel needle bearings
- Stainless steel base material



Options

- EZ – EZ Connect Molex® Connectors for installation ease
- SEC – Security fasteners

Offset Intermediate, Electrified Pivots

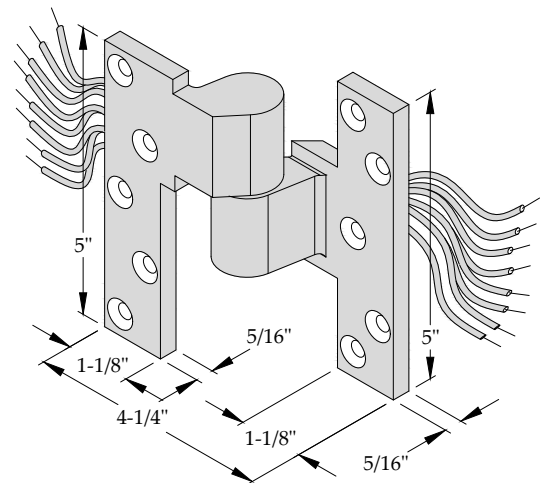
E019 Intermediate Pivot - Electrified - 3/4" Offset

Standard Features

- Provides electrical power transfer from the frame to the door
 - (8) 30 AWG Wires
- Mortises into side jamb and hinge edge of door
- Handed – Specify LH or RH
- For use with 3/4" offset pivot sets
- UL listed for use on 3-hour fire rated doors - **Standard**
- Heavy duty stainless steel needle bearings
- Stainless steel base material

Options

- **EZ** – EZ Connect Molex® Connectors for installation ease
- **SEC** – Security fasteners



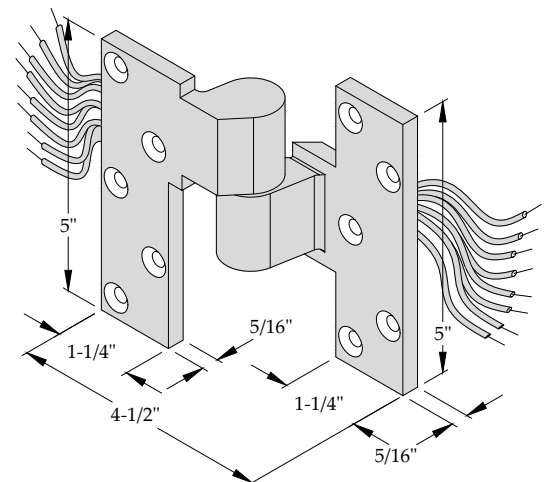
EL019-1.5 Intermediate Pivot - Electrified 1-1/2" Offset

Standard Features

- Provides electrical power transfer from the frame to the door
 - (8) 30 AWG Wires
- Mortises into side jamb and hinge edge of door
- Handed – Specify LH or RH
- For use with 1-1/2" offset lead-lined pivot sets
- UL listed for use on 3-hour fire rated doors - **Standard**
- Heavy duty stainless steel needle bearings
- Stainless steel base material

Options

- **EZ** – EZ Connect Molex® Connectors for installation ease
- **SEC** – Security fasteners



Offset Intermediate, Electrified Pivots

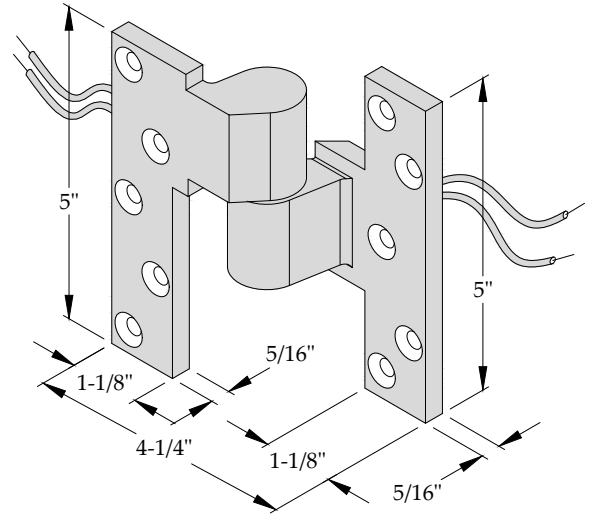
E019U Intermediate Pivot - Electrified - 3/4" Offset

Standard Features

- Provides electrical power transfer from the frame to the door
 - Large inrush current
 - (2) 18 AWG Wires
 - Each wire is rated at 2 amps continuously
- Mortises into side jamb and hinge edge of door
- Handed – Specify LH or RH
- For use with 3/4" offset pivot sets
- UL listed for use on 3-hour fire rated doors – **Standard**
- Heavy duty stainless steel needle bearings
- Stainless steel base material

Options

- SEC – Security fasteners



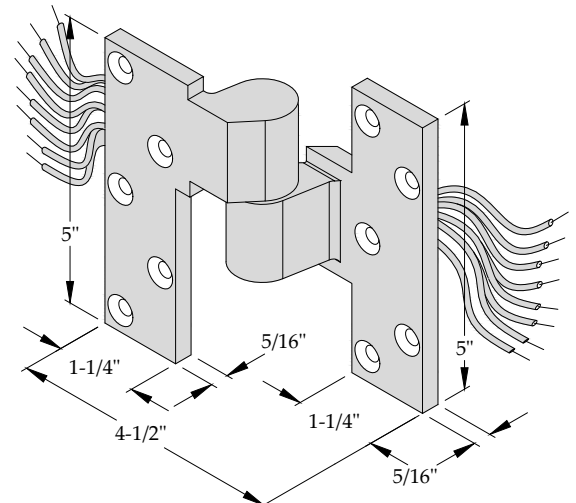
EL019 Intermediate Pivot - Electrified 3/4" Offset

Standard Features

- Provides electrical power transfer from the frame to the door
 - (8) 30 AWG Wires
- Mortises into side jamb and hinge edge of door
- Handed – Specify LH or RH
- For use with 3/4" offset lead-lined pivot sets
- UL listed for use on 3-hour fire rated doors – **Standard**
- Heavy duty stainless steel needle bearings
- Stainless steel base material

Options

- SEC – Security fasteners



Offset Intermediate, Electrified Pivots

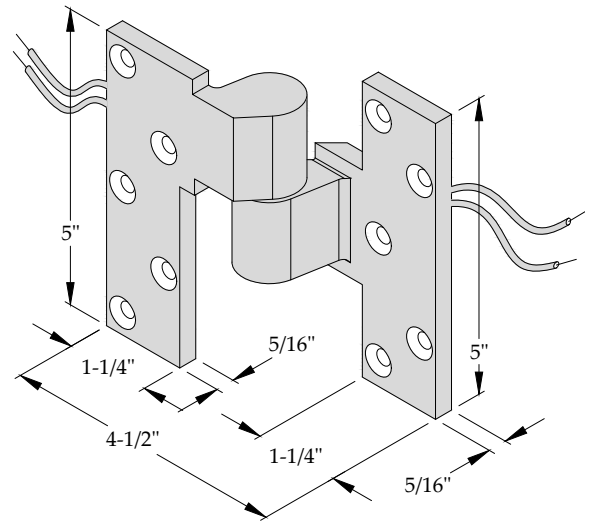
EL019U Intermediate Pivot – Electrified $\frac{3}{4}$ " Offset

Standard Features

- Provides electrical power transfer from the frame to the door
 - Large inrush current
 - (2) 18 AWG Wires
 - Each wire is rated at 2 amps continuously
- Mortises into side jamb and hinge edge of door
- Handed – Specify LH or RH
- For use with $\frac{3}{4}$ " offset lead-lined pivot sets
- UL listed for use on 3-hour fire rated doors – **Standard**
- Heavy duty stainless steel needle bearings
- Stainless steel base material

Options

- **SEC** – Security fasteners



Center Hung Pivot Sets

0117.75 Pivot Set - Center Hung

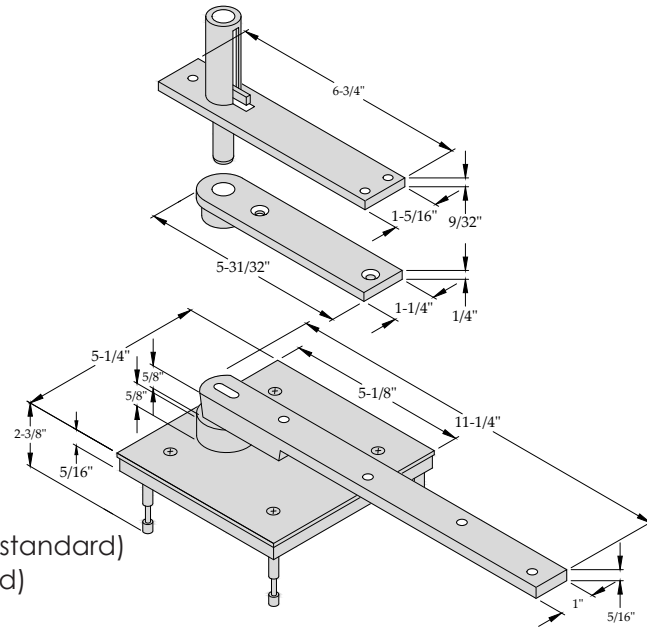
Meets or Exceeds ANSI C07162 & C07202

Standard Features

- **0345 Top Pivot**
 - Frame leaf mortises into header
 - Door leaf mortises into top of door
- **0117.75B Bottom Pivot**
 - Base leaf mortised into floor and rest on floor
 - Door leaf mortises into bottom of door
- Non-Handed
- **Maximum door load – 600 lbs**
- Maximum door width – 48"
- Heavy duty bearings
- Stainless steel base material

Options

- **EXTS** – Extended Spindle on bottom pivot (up to 2" longer than standard)
- **EXTP** – Extended Pin on top pivot (up to $\frac{3}{4}$ " longer than standard)
- **SEC** – Security fasteners
- **B** – Bottom pivot only (no top pivot)



0127 Pivot Set – Center Hung

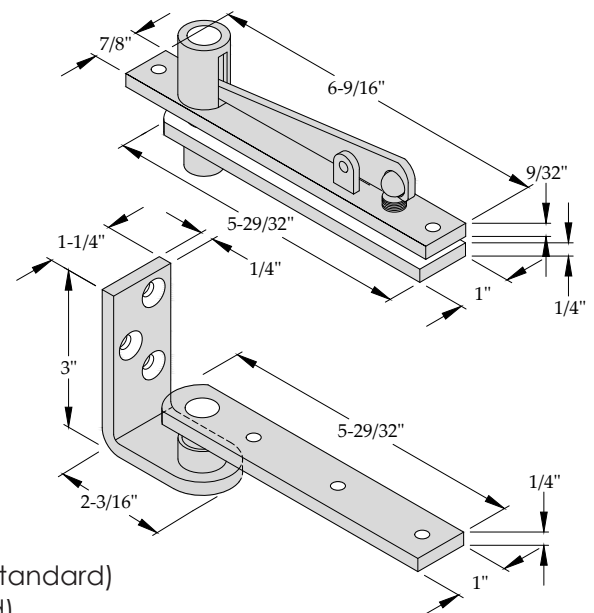
Meets or Exceeds ANSI C07042

Standard Features

- **0320 Top Pivot**
 - Frame leaf mortises into header
 - Door leaf mortises into top of door
- **0127B Bottom Pivot**
 - Base leaf mortises into side jamb and rest on floor
 - Door leaf mortises into bottom of door
- Non-handed
- Pivot set is centered into the door thickness
- **Maximum door load – 200 lbs**
- Maximum door size – 42"x 102"

Options

- Can be used with **ABH[®] Rescue Hardware**
- **EXTS** – Extended Spindle on bottom pivot (up to 2" longer than standard)
- **EXTP** – Extended Pin on top pivot (up to $\frac{3}{4}$ " longer than standard)
- **SEC** – Security fasteners
- **B** – Bottom pivot only (no top pivot)



Center Hung Pivot Sets

0128 Pivot Set – Center Hung

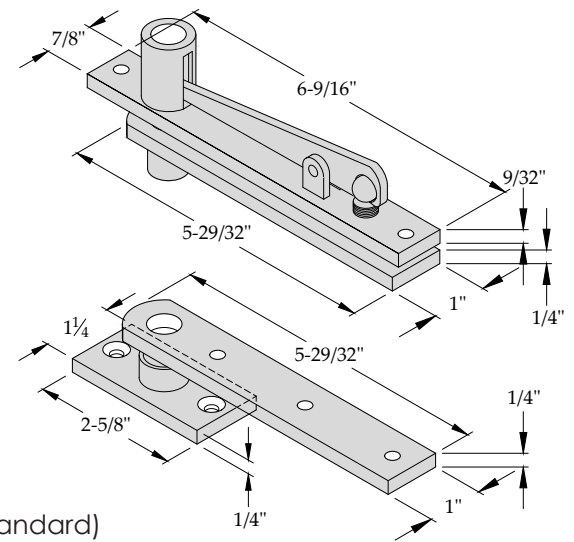
Meets or Exceeds ANSI C07032

Standard Features

- **0320 Top Pivot**
 - Frame leaf mortises into header
 - Door leaf mortises into top of door
- **0128B Bottom Pivot**
 - Base mounts to the top of finished floor
 - Door leaf mortises into bottom of door
- Non-handed
- Pivot set is centered into the door thickness
- **Maximum door load – 250 lbs**
- **Maximum door size – 42" x 102"**

Options

- Can be used with **ABH® Rescue Hardware**
- **EXTS** – Extended Spindle on bottom pivot (up to 2" longer than standard)
- **EXTP** – Extended Pin on top pivot (up to 3/4" longer than standard)
- **SEC** – Security fasteners
- **B** – Bottom pivot only (no top pivot)



0327 Pivot Set – Center Hung

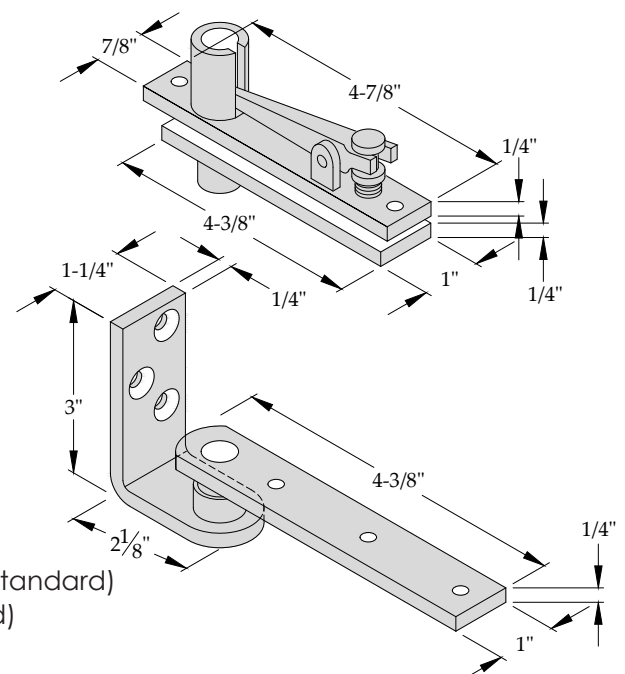
Meets or Exceeds ANSI C07042

Standard Features

- **0321 Top Pivot**
 - Frame leaf mortises into header
 - Door leaf mortises into top of door
- **0327B Bottom Pivot**
 - Base mortises into side jamb and rest on floor
 - Door leaf mortises into bottom of door
- Non-handed
- Pivot set is centered into the door thickness
- **Maximum door load – 135 lbs**

Options

- Can be used with **ABH® Rescue Hardware**
- **EXTS** – Extended Spindle on bottom pivot (up to 2" longer than standard)
- **EXTP** – Extended Pin on top pivot (up to 3/4" longer than standard)
- **SEC** – Security fasteners
- **B** – Bottom pivot only (no top pivot)



Center Hung Pivots Sets/Electrified Pivot Set

0370 Pivot Set – Center Hung

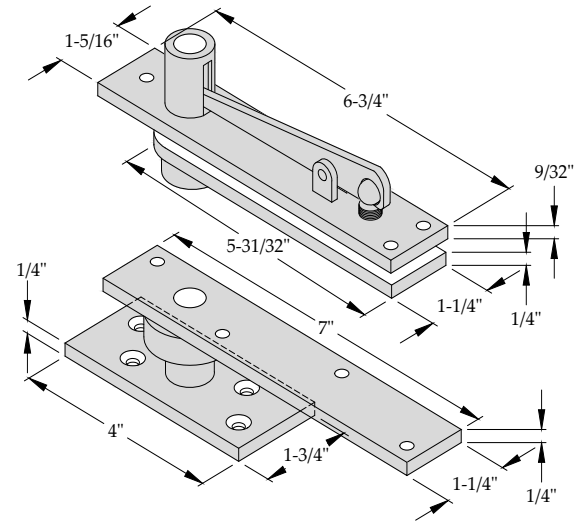
Meets or Exceeds ANSI C07032

Standard Features

- **0340 Top Pivot**
 - Frame leaf mortises into header
 - Door leaf mortises into top of door
- **0370B Bottom Pivot**
 - Base mounts to the top of finished door
 - Door leaf mortises into bottom of door
- Non-handed
- Pivot set is centered into the door thickness
- **Maximum door load – 500 lbs**
- **Maximum door size – 42"x 102"**

Options

- Can be used with **ABH® Rescue Hardware**
- **EXTS** – Extended Spindle on bottom pivot (up to 2" longer than standard)
- **EXTP** – Extended Pin on top pivot (up to 3/4" longer than standard)
- **SEC** – Security fasteners
- **B** – Bottom pivot only (no top pivot)



E0117.75 Pivot Set - Center Hung

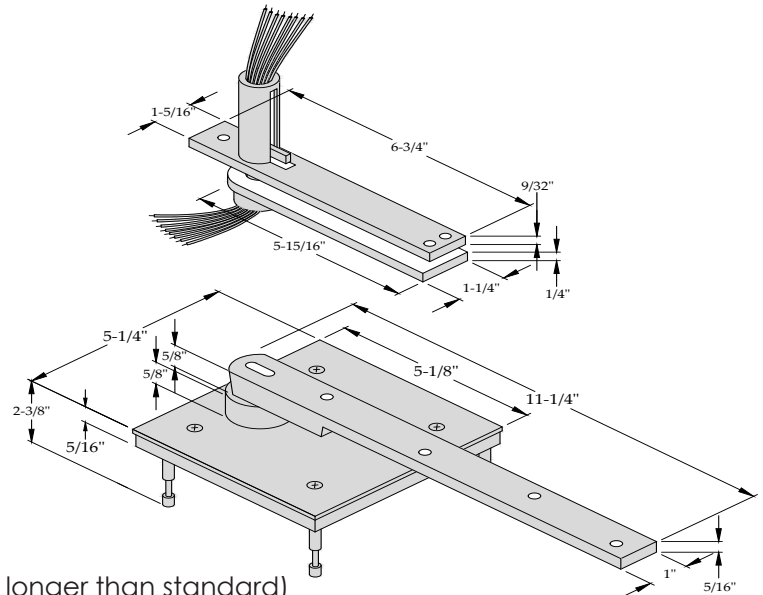
Meets or Exceeds ANSI C07162 & C07202

Standard Features

- **E0345 Top Pivot**
 - Frame leaf mortises into header
 - Door leaf mortises into top of door
- **E0117.75B Bottom Pivot**
 - All rest on floor
 - Door leaf mortises into bottom of door
- Non-Handed
- **Maximum door load – 600 lbs**
- **Maximum door width – 48"**
- Heavy duty bearings
- **Stainless steel base material**

Options

- **EXTS** – Extended Spindle on bottom pivot (up to 2" longer than standard)
- **EXTP** – Extended Pin on top pivot (up to 3/4" longer than standard)
- **SEC** – Security fasteners
- **B** – Bottom pivot only (no top pivot)



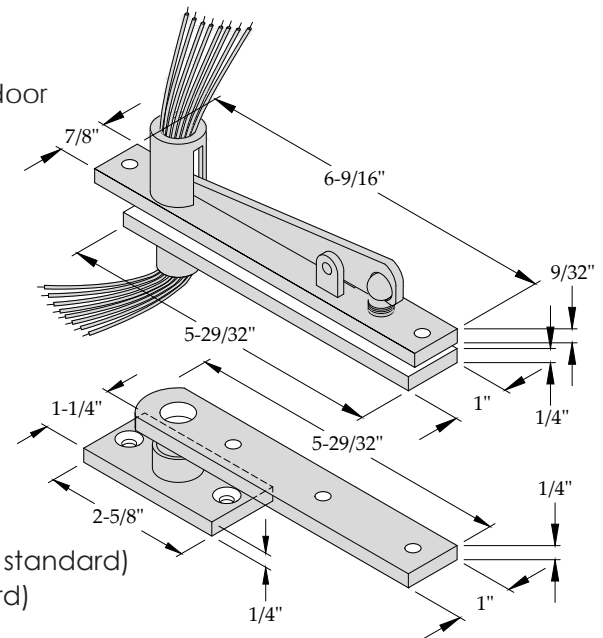
Center Hung Pivots Sets/Electrified Pivot Set

E0128 Pivot Set – Center Hung – Electrified

Meets or Exceeds ANSI C07032

Standard Features

- **E0320 Top Pivot**
 - Provides electrical power transfer from the frame to the door
 - (8) 30 AWG wires
 - Frame leaf mortises into header
 - Door leaf mortises into top of door
- **0128B Bottom Pivot**
 - Base mounts to the top of finished floor
 - Door leaf mortises into bottom of door
- Non-handed
- Pivot set is centered into the door thickness
- **Maximum door load – 250 lbs**
- Maximum door size – 42"x 102"



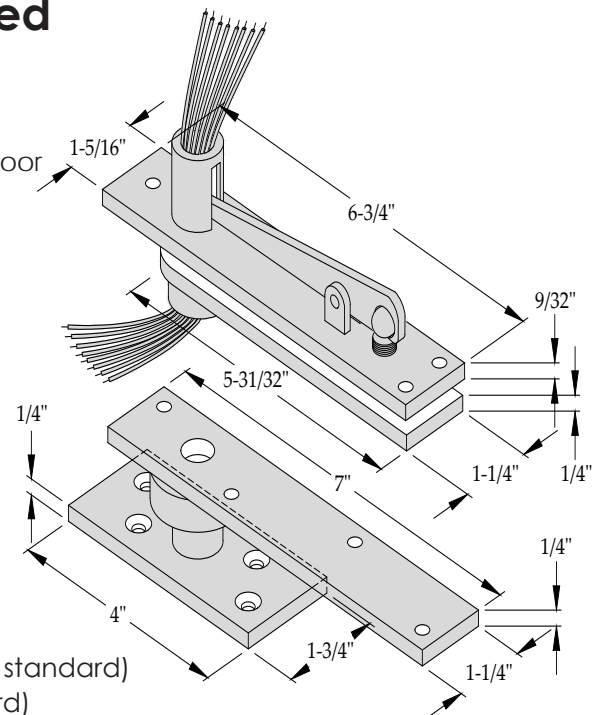
Options

- Can be used with **ABH® Rescue Hardware**
- **EXTS** – Extended Spindle on bottom pivot (up to 2" longer than standard)
- **EXTP** – Extended Pin on top pivot (up to 3/4" longer than standard)
- **SEC** – Security fasteners
- **B** – Bottom pivot only (no top pivot)

E0370 Pivot Set – Center Hung – Electrified

Standard Features

- **E0340 Top Pivot**
 - Provides electrical power transfer from the frame to the door
 - (8) 30 AWG wires
 - Frame leaf mortises into header
 - Door leaf mortises into top of door
- **0370B Bottom Pivot**
 - Bottom leaf mounts on top of finished door
 - Door leaf mortises into bottom of door
- Non-handed
- Pivot set is centered into the door thickness
- **Maximum door load – 500 lbs**
- Maximum door size – 42"x 102"



Options

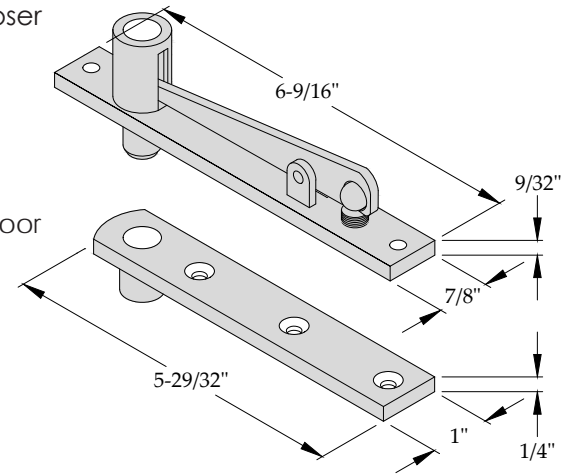
- Can be used with **ABH® Rescue Hardware**
- **EXTS** – Extended Spindle on bottom pivot (up to 2" longer than standard)
- **EXTP** – Extended Pin on top pivot (up to 3/4" longer than standard)
- **SEC** – Security fasteners
- **B** – Bottom pivot only (no top pivot)

Center Hung Top Pivots

0320 Top Pivot - Center Hung, Medium Duty

Standard Features

- Walking beam top pivot for center hung bottom pivot for floor closer
- **Medium Duty**
- Jamb leaf mortise in header
- Door leaf mortise into top of the door
- Dress plate provided for jamb portion
- Non-handed
- Pivot point must be plumb with pivot point at the bottom of the door



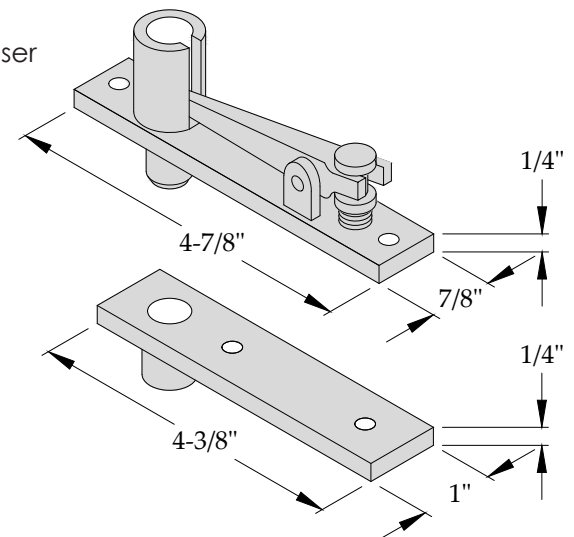
Options

- **EXTP** – Extended Pin on top pivot (up to 3/4" longer than standard)
- **SEC** – Security fasteners

0321 Top Pivot – Center Hung, Light Duty

Standard Features

- Walking beam top pivot for center hung bottom pivot for floor closer
- **Light Duty**
- Jamb leaf mortise in header
- Door leaf mortise into top of the door
- Dress plate provided for jamb portion
- Non-handed
- Pivot point must be plumb with pivot point at the bottom of the door



Options

- **EXTP** – Extended Pin on top pivot (up to 3/4" longer than standard)
- **SEC** – Security fasteners

Center Hung Top Pivots

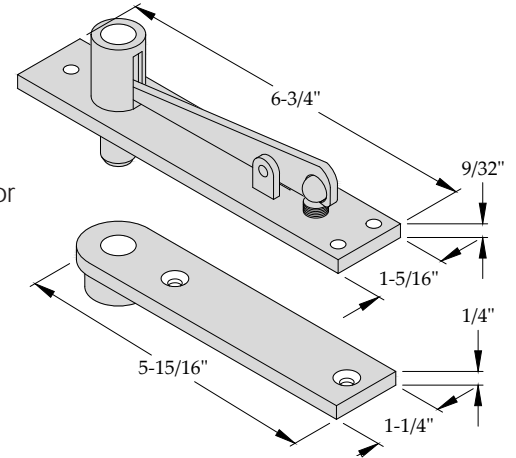
0340 Top Pivot - Center Hung, Heavy Duty

Standard Features

- Walking beam top pivot for center hung bottom pivot for floor closer
- **Heavy Duty**
- Jamb leaf mortise in header
- Door leaf mortise into top of the door
- Dress plate provided for jamb portion
- Non-handed
- Pivot point must be plumb with pivot point at the bottom of the door

Options

- **EXTP** – Extended Pin on top pivot (up to $\frac{3}{4}$ " longer than standard)
- **SEC** – Security fasteners



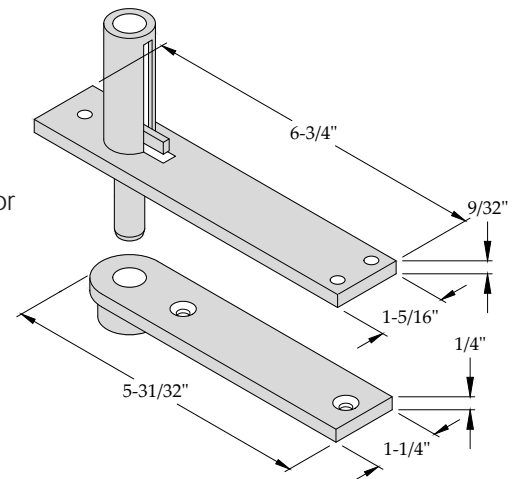
0345 Top Pivot - Center Hung, Extra Heavy Duty

Standard Features

- For use with 0370 bottom pivot when door height is in excess of 104"
- **Extra Heavy Duty**
- Jamb leaf mortise in header
- Door leaf mortise into top of the door
- Dress plate provided for jamb portion
- Non-handed
- Pivot point must be plumb with pivot point at the bottom of the door

Options

- **EXTP** – Extended Pin on top pivot (up to $\frac{3}{4}$ " longer than standard)
- **SEC** – Security fasteners

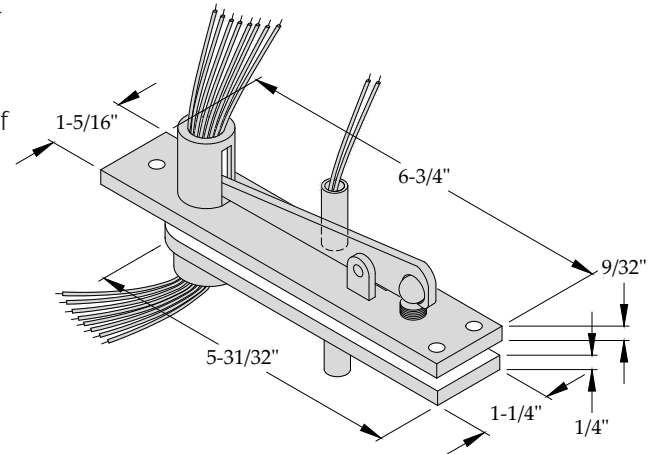


Center Hung Top Pivots - Electrified

CME0340 Top Pivot – Electrified - Center Hung, Heavy Duty

Standard Features

- Provides electrical power transfer from the frame to the door
 - (8) 30 AWG Wires
- Concealed door position monitor switch included
 - Monitor switch with (2) 22 AWG wire leads on frame leaf
- **Heavy Duty**
- Mortises into header and top of the door
- Dress plate provided for jamb portion
- Non-handed



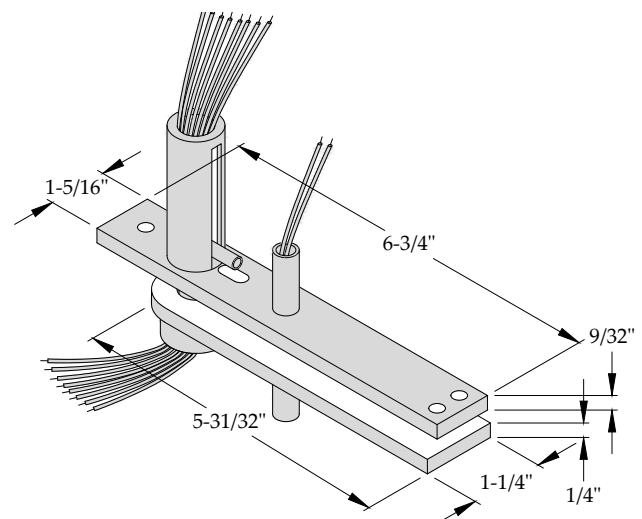
Options

- **EZ**- EZ Connect Molex® Connectors for installation ease
- **SEC** – Security fasteners

CME0345 Top Pivot – Electrified - Center Hung, Extra Heavy Duty

Standard Features

- Provides electrical power transfer from the frame to the door
 - (8) 30 AWG Wires
- Concealed door position monitor switch included
 - Monitor switch with (2) 22 AWG wire leads on frame leaf
- **Extra Heavy Duty**
- Mortises into header and top of the door
- Dress plate provided for jamb portion
- Non-handed



Options

- **EZ**- EZ Connect Molex® Connectors for installation ease
- **SEC** – Security fasteners

Center Hung Top Pivot - Electrified

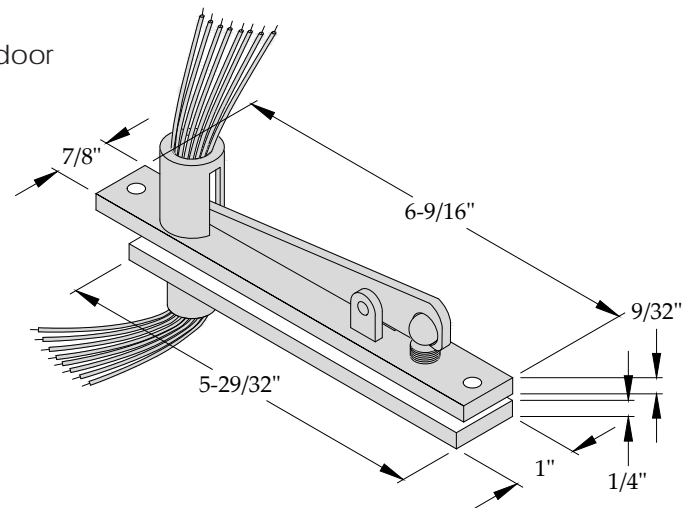
E0320 Top Pivot – Electrified - Center Hung, Medium Duty

Standard Features

- Provides electrical power transfer from the frame to the door
- (8) 30 AWG Wires
- **Medium Duty**
- Mortises into header and top of the door
- Dress plate provided for jamb portion
- Non-handed

Options

- **EZ** – EZ Connect Molex® Connectors for installation ease
- **SEC** – Security fasteners



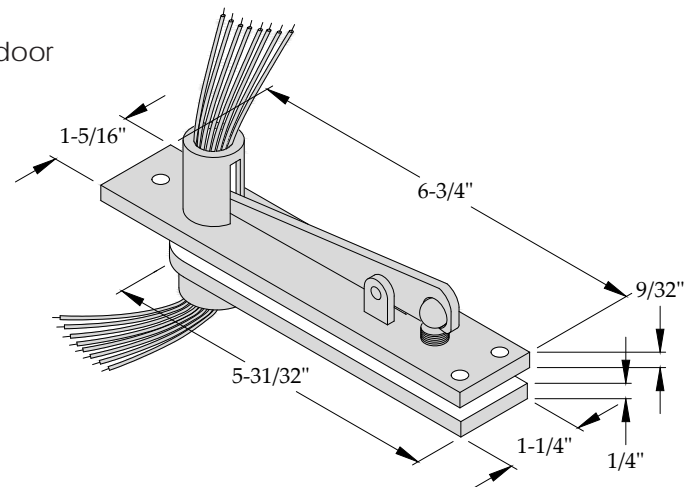
E0340 Top Pivot – Electrified - Center Hung, Heavy Duty

Standard Features

- Provides electrical power transfer from the frame to the door
- (8) 30 AWG Wires
- **Heavy Duty**
- Mortises into header and top of the door
- Dress plate provided for jamb portion
- Non-handed

Options

- **EZ** – EZ Connect Molex® Connectors for installation ease
- **SEC** – Security fasteners



Center Hung Top Pivot - Electrified

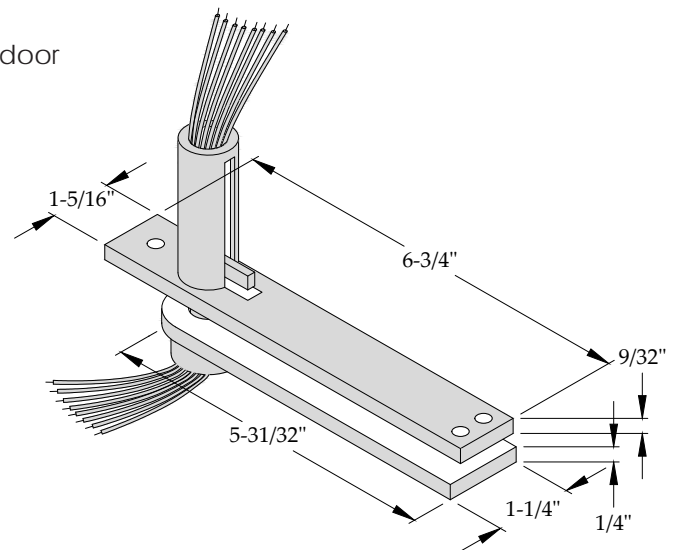
E0345 Top Pivot – Electrified - Center Hung, Extra Heavy Duty

Standard Features

- Provides electrical power transfer from the frame to the door
 - (8) 30 AWG Wires
- **Extra Heavy Duty**
- Mortises into header and top of the door
- Dress plate provided for jamb portion
- Non-handed

Options

- **EZ** – EZ Connect Molex® Connectors for installation ease
- **SEC** – Security fasteners



Pocket Pivots

0519 Pocket Door Pivot

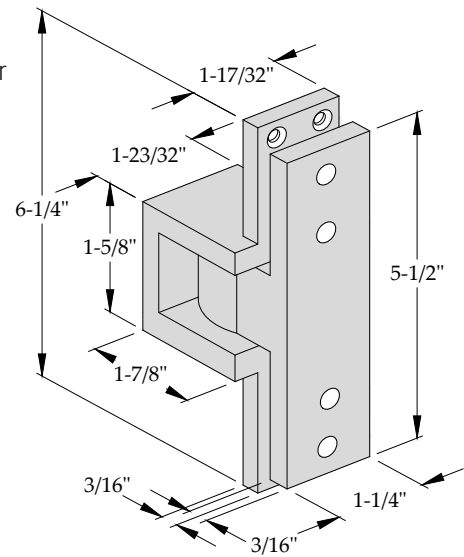
Standard Features

- Pivot point is located inside the frame
- Allows door to swing into a pocket in the frame at a right angle
When the door is in the pocket, it is completely clear of the door opening and flush with the adjacent wall
- Maximum door swing is 90°
- Minimum three pocket pivots per door 60" – 90" tall
- Add one pocket pivot for each additional 30" door height
- **Maximum door load per pivot – 90 lbs**
- Non-handed
- UL listed for use on 3-hour fire rated doors – **Standard**
- Heavy duty stainless steel needle bearings
- Stainless steel base material

Options

- **SEC** – Security fasteners

Meets or Exceeds ANSI C07611



E0519 - Electrified - Pocket Door Pivot

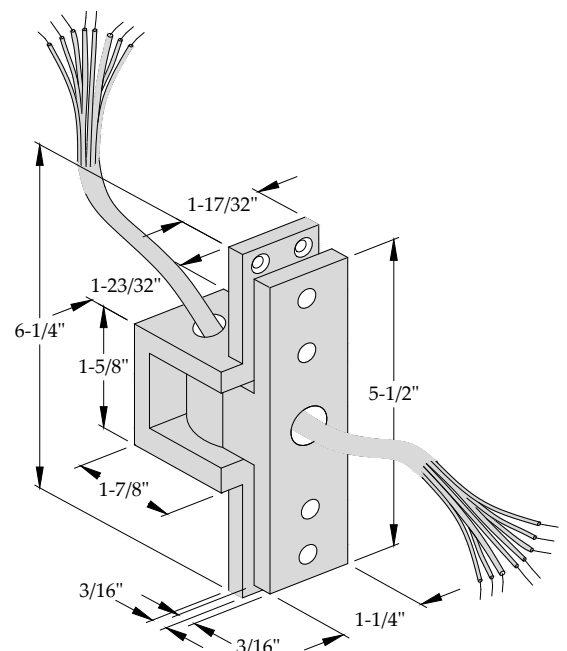
Standard Features

- Provides electrical power transfer from the frame to the door
(8) 30 AWG wires
- Pivot point is located inside the frame
- Allows door to swing into a pocket in the frame at a right angle
When the door is in the pocket, it is completely clear of the door opening and flush with the adjacent wall
- Maximum door swing is 90°
- **Maximum door load per pivot – 90 lbs**
- Non-handed
- UL listed for use on 3-hour fire rated doors – **Standard**
- Heavy duty stainless steel needle bearings
- Stainless steel base material

Options

- **EZ**– EZ Connect Molex® Connectors for installation ease
- **SEC** – Security fasteners

Meets or Exceeds ANSI C07162 & C07202



Reinforcing Pivot

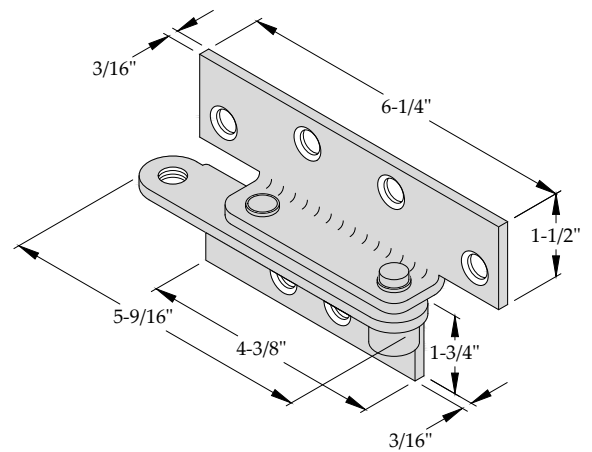
0923 Reinforcing Pivot

Standard Features

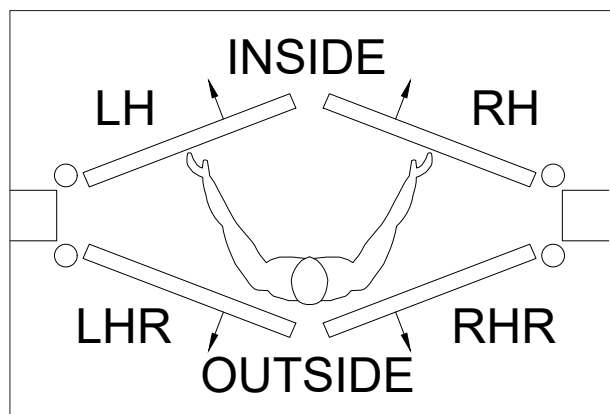
- Helps take load off failing top hinge and eliminate door sag
- Surface mounts to the face of the frame header and face of the door
- Matches pivot point of a standard 4½" butt hinge
- Non-handed
- **Maximum door load – 300 lbs**
- Cold-rolled steel, zinc plated – US2G
- For ⅛" inset door with ¼" offset

Options

- SEC – Security fasteners



HANDING DIAGRAM



CONTACT US

ORDERS

orders@abhmfg.com

Send all Purchase Orders or questions regarding existing orders.

QUOTES

quotes@abhmfg.com

Send all Quote Request or questions regarding existing quotes.

ACCOUNTS RECEIVABLES

ar@abhmfg.com

Send all questions regarding invoices, statements, credit issues or RMA requests.

CUSTOMER SERVICE

cs@abhmfg.com

Send all customer service related requests.

If you have any other questions regarding ABH products, please call 630-875-9900.

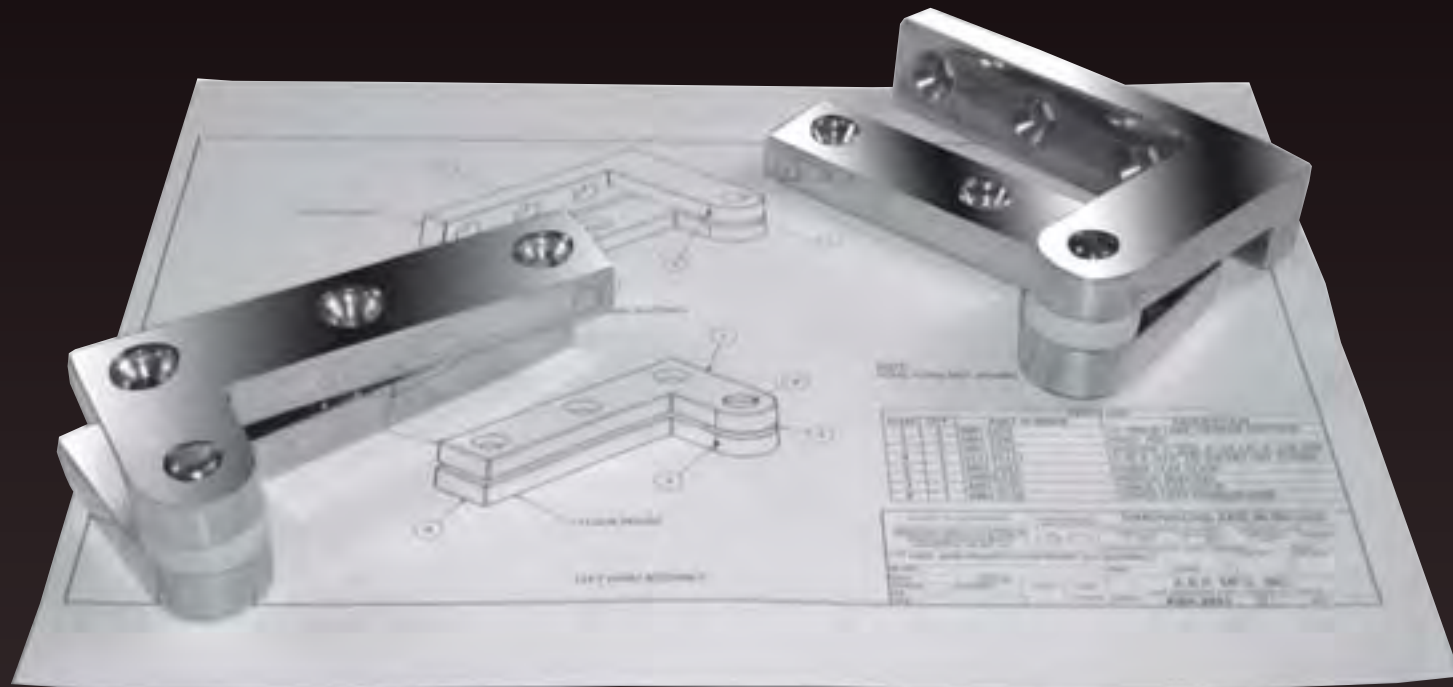


Architectural Builders Hardware Manufacturing, Inc.
1222 Ardmore Avenue, Itasca, IL 60143
630-875-9900 • (800) 932-9224
www.abhmfg.com





ABH offers a variety of custom hardware options and finishes for many different applications. Contact our factory for additional information.



From concept to creation, we support you every step of the way with our talented designers, custom fabricators and unparalleled customer service.

ARCHITECTURAL BUILDERS HARDWARE MFG., INC.

1222 Ardmore Ave.
Itasca, IL 60143

P: (630) 875-9900
F: (800) 932-9224
E: abhinfo@abhmfg.com



WWW.ABHMFG.COM



ABH
Manufacturing Inc.



- Overhead Holders & Stops
- Hospital Push/Pull Latches
- Electromagnetic Door Holders
- Pivots & Pivot Sets
- Aluminum Continuous Hinges
- Stainless Steel Pin & Barrel Hinges
- Stainless Steel Edge Guards
- Power Transfer/Electrified Hardware
- Rescue Hardware
- Flush Bolts & Coordinators
- Auxillary Locking Hardware
- Custom Strikes

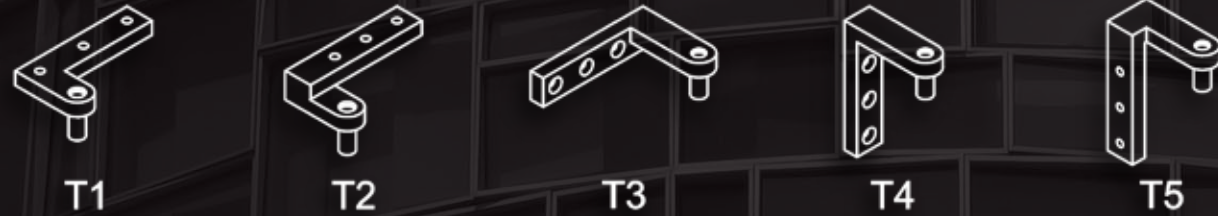


Custom Pivots

ABH CUSTOM PIVOTS

STAINLESS STEEL BASE MATERIAL

TOP JAMB PORTION



DOOR PORTION



CENTER HUNG PIVOT



BOTTOM JAMB OR FLOOR PORTION



Requirements:

- Configuration
- Offset
- Finish
- Door Thickness
- Clearances

Pivot Sets



Overhead Stops



Custom Pivots



ABH CUSTOM PIVOT SETS

- ABH custom pivot sets can be ordered in any combination of top jamb portion, door top portion, door bottom portion and bottom jamb or floor portion.
- Pivots in certain configurations can also be used as intermediate offset pivots. Intermediate Pivots are used for extra support in situations which require tall or heavy doors. They can also be configured for use with Dutch Doors.
- All pivot portions are made of (1/2") thick x (1") wide stainless steel material.
- All fasteners are stainless steel.
- Needle bearings provided standard.
- Standard BHMA color matches available in US3, US4, US10, US10B, US32, US32D.
- Contact factory for custom finishes.



MAKES LIFE SIMPLE



Manufacturing, Inc.



- Overhead Holders & Stops
- Hospital Push/Pull Latches
- Electro-Magnetic Door Holders
- Electrical Power Transfer Products
- Aluminum Continuous Geared Hinges
- Stainless Steel Continuous Pin & Barrel Hinges
- Stainless Steel Edge Guards
- Pivots & Pivot Sets
- Coordinators, Flush Bolts & Roller Latches
- Slide Bolts, Surface Bolts & Miscellaneous Products

Rescue Hardware

Rescue Hardware & Double-Lipped Strikes

Cross Reference Chart

Type	Description	ABH*	McKinney*	Stanley*	Hager*
Double-Lipped Strikes	5-3/4" Frame - Center Hung	DS4510	DLS-8	DLS-2	451
	6-3/4" Frame - Center Hung	DS4520	DLS-8	DLS-2	452
	5-3/4" Frame - 1/8" Inset	DS4530	DLS-8	DLS-1	453
	6-3/4" Frame - 1/8" Inset	DS4540	DLS-8	DLS-1	454
	Special Size - Cylindrical Latch	SDS4500	-	-	-
	Special Size - Mortise Lock	SDSM4500	-	-	-
Rescue Stop & Double-Lipped Strike Combo	5-3/4" Frame - Center Hung	CR4550	-	-	455
	6-3/4" Frame - Center Hung	CR4560	-	-	456
	5-3/4" Frame - 1/8" Inset	CR4570	-	-	457
	6-3/4" Frame - 1/8" Inset	CR4580	-	-	458
	Special Size - Cylindrical Latch	SCR4550	-	-	-
	Special Size - Mortise Lock	SCRM4550	-	-	-
	5-3/4" Frame - Center Hung	CR4591	CSS-9	-	-
	6-3/4" Frame - Center Hung	CR4592	CSS-9	-	-
	6-3/4" Frame - 1/8" Inset	CR4593	CSS-9	-	-
	5-3/4" Frame - 1/8" Inset	CR4594	CSS-9	-	-
	Special Size - Cylindrical Latch	SCR4590	-	-	-
	Special Size - Mortise Lock	SCRM4590	-	-	-
Rescue Stop	Stand Alone	4590	DS-6	ES-1	610

*Brand names are trademarks or registered trademarks of their respective companies.

Table of Contents

Stand Alone Rescue Stop

4590 J-2

Double-Lipped Strikes for Cylindrical Latches

DS4510 J-3
 DS4520 J-3
 DS4530 J-3
 DS4540 J-3

Special Frame Size - Center Hung Door

SDS4500 - Cylindrical J-4
 SDSM4500 - Mortise Lock (No Dead Bolt) J-5
 SDSM4500 - Mortise Lock (With Dead Bolt) J-6

Special Frame Size - 1/8" Inset Door

SDS4500 - Cylindrical J-7
 SDSM4500 - Mortise Lock (No Dead Bolt) J-8
 SDSM4500 - Mortise Lock (With Dead Bolt) J-9

Double-Lipped Rescue Stops for Cylindrical Latches - 4550 Half-Moon Style

CR4550 J-10
 CR4560 J-10
 CR4570 J-10
 CR4580 J-10

Special Frame Size - Center Hung Door

SCR4550 - Cylindrical J-11
 SCR4550 - Mortise Lock (No Dead Bolt) J-12
 SCR4550 - Mortise Lock (With Dead Bolt) J-13

Special Frame Size - 1/8" Inset Door

SCR4550 - Cylindrical J-14
 SCR4550 - Mortise Lock (No Dead Bolt) J-15
 SCR4550 - Mortise Lock (With Dead Bolt) J-16

Double-Lipped Rescue Stops for Cylindrical Latches - 4590 Flipper Style

CR4591 J-17
 CR4592 J-17
 CR4593 J-17
 CR4594 J-17

Special Frame Size - Center Hung Door

SCR4590 - Cylindrical J-18
 SCR4590 - Mortise Lock (No Dead Bolt) J-19
 SCR4590 - Mortise Lock (With Dead Bolt) J-20

Special Frame Size - 1/8" Inset Door

SCR4590 - Cylindrical J-21
 SCR4590 - Mortise Lock (No Dead Bolt) J-22
 SCR4590 - Mortise Lock (With Dead Bolt) J-23

Rescue Stop & Center Hung Pivot Set Combos

012750 J-24
 012760 J-24
 012770 J-24
 012780 J-24

 012850 J-24
 012860 J-24
 012870 J-24
 012880 J-24

 012791 J-24
 012792 J-24
 012793 J-24
 012794 J-24

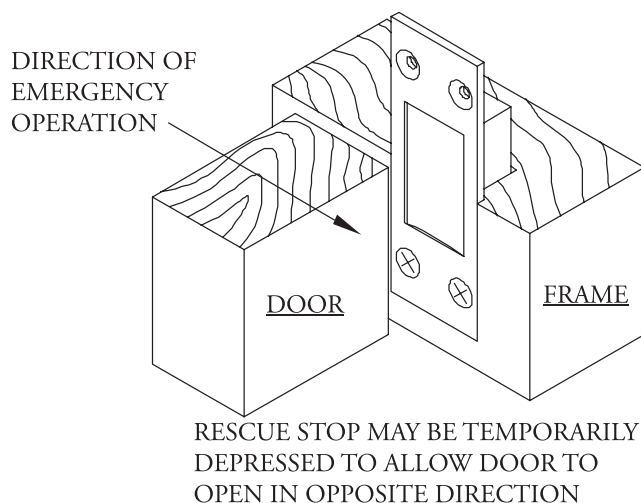
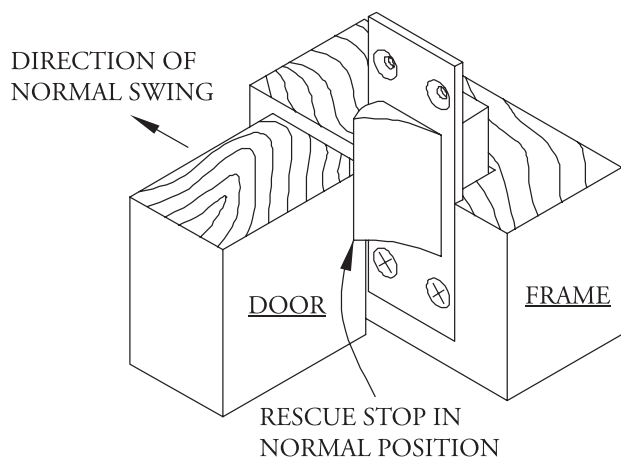
 012891 J-24
 012892 J-24
 012893 J-24
 012894 J-24



4590 - Rescue Stop

Standard Features

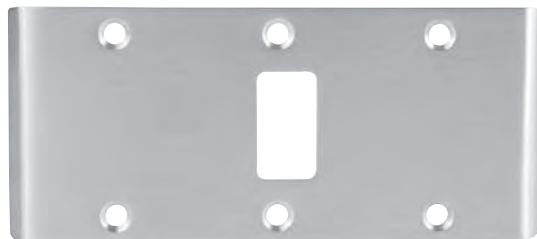
- Intended for use in hospital or nursing home patient bathroom doors
- Converts double-acting door to single-acting door
- Allows door to swing open in opposite direction if something or someone obstructs the normal swing of the door
- Pushing in on the spring loaded stop allows emergency operation of the door
- Stop automatically returns to normal position when released (spring-loaded)
- Standard fasteners provided:
 - 10-32 flat head machine screws
 - #10 flat head wood screws
- Available in US32D, US32, US10B, US10, US3 and US4 finishes - Contact factory for custom finish
- Meets ANSI Spec A1882



Double-Lipped Strikes

Standard Features

- Allows door to open in both directions without damaging the frame
- Door to be mounted on center hung pivot set – ABH 0327, 0127, 0128 or 0370 (see pivot section for details)
- For use on 1-3/4" thick doors - center hung or 1/8" inset
- Can be used in conjunction with ABH 4590 Rescue Stop (see page J-2 for details)
- Cut-out is standard for cylindrical latches. Custom units available for mortise locks (see pages J-5 to J-9)
- Standard models are for 5-3/4" and 6-3/4" frame size. Custom frame sizes available (see pages J-4 to J-9)
- Supplied with 8-32 x 3/8" undercut machine screws
- .074" thick stainless steel material
- Available in US32D, US32, US10B, US10, US3 and US4 finishes – Contact factory for custom finish
- Meets and/or exceeds ANSI Standard A1882



Center Hung Door - Cylindrical Latch
DS4510 - 5-3/4" Frame
DS4520 - 6-3/4" Frame



1/8" Inset Door - Cylindrical Latch
DS4530 - 5-3/4" Frame
DS4540 - 6-3/4" Frame

Options

- SEC - Pin-in socket security fasteners

Model Number	Frame Size	Strike Height	Latch Type	Door Inset
DS4510	5-3/4"	2-3/4"	Cylindrical	Center Hung
DS4520	6-3/4"	2-3/4"	Cylindrical	Center Hung
DS4530	5-3/4"	2-3/4"	Cylindrical	1/8" Inset
DS4540	6-3/4"	2-3/4"	Cylindrical	1/8" Inset



SDS4500 - Special Double-Lipped Strikes Center Hung for Cylindrical Latch

Innovation, Quality,
Customer Service...

The sizing chart on the right lists custom layout numbers for all frame sizes from 5- $\frac{1}{4}$ " to 9" for:

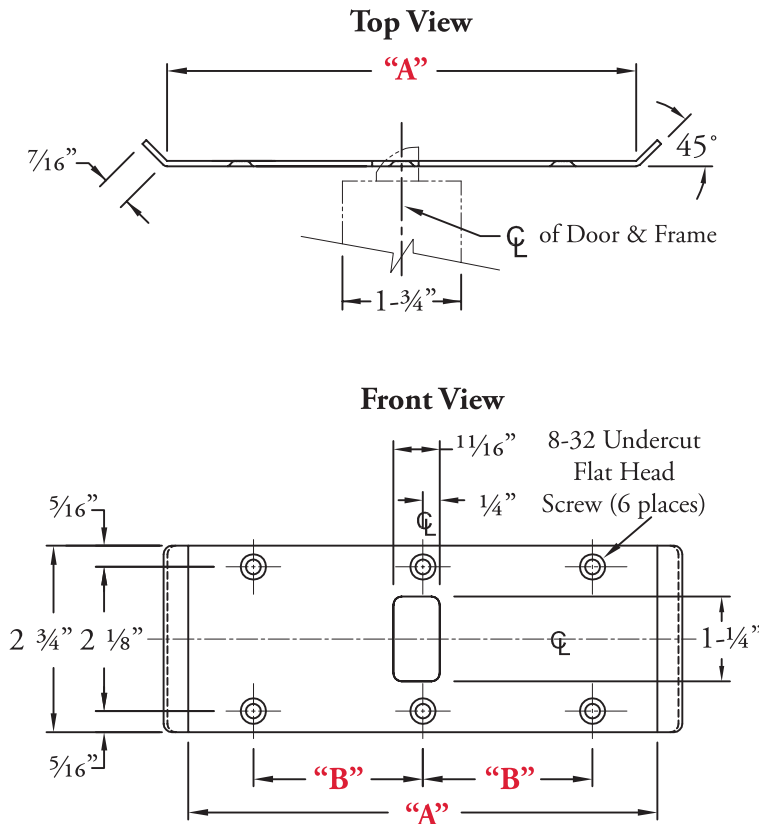
- Center hung door
- Cylindrical latch application

ABH has the capability to custom manufacture thousands of different custom double-lipped strikes to fit nearly every application.

Please contact us if you need to match existing preps or if additional customizations are required and we will gladly assist.

How to Order			
Example SDS4500 x US32D x SP-DS5006			
Part Number	Finish	Custom Layout Number	Quantity
SDS4500			
SDS4500			

Custom Layout Number	Frame Size	Center to Center Mounting Holes
	"A"	"B"
SP-DS5006	5- $\frac{1}{4}$ "	1- $\frac{7}{8}$ "
SP-DS5007	5- $\frac{3}{8}$ "	1- $\frac{7}{8}$ "
SP-DS5008	5- $\frac{1}{2}$ "	1- $\frac{7}{8}$ "
SP-DS5009	5- $\frac{5}{8}$ "	1- $\frac{7}{8}$ "
DS4510	5- $\frac{3}{4}$ "	1- $\frac{7}{8}$ "
SP-DS5010	5- $\frac{7}{8}$ "	2- $\frac{3}{8}$ "
SP-DS5011	6"	2- $\frac{3}{8}$ "
SP-DS5012	6- $\frac{1}{8}$ "	2- $\frac{3}{8}$ "
SP-DS5013	6- $\frac{1}{4}$ "	2- $\frac{3}{8}$ "
SP-DS5014	6- $\frac{3}{8}$ "	2- $\frac{3}{8}$ "
SP-DS5015	6- $\frac{1}{2}$ "	2- $\frac{3}{8}$ "
SP-DS5016	6- $\frac{5}{8}$ "	2- $\frac{3}{8}$ "
DS4520	6- $\frac{3}{4}$ "	2- $\frac{3}{8}$ "
SP-DS5017	6- $\frac{7}{8}$ "	2- $\frac{3}{8}$ "
SP-DS5018	7"	2- $\frac{3}{8}$ "
SP-DS5019	7- $\frac{1}{8}$ "	2- $\frac{3}{8}$ "
SP-DS5020	7- $\frac{1}{4}$ "	2- $\frac{3}{8}$ "
SP-DS5021	7- $\frac{3}{8}$ "	2- $\frac{3}{8}$ "
SP-DS5022	7- $\frac{1}{2}$ "	2- $\frac{3}{8}$ "
SP-DS5023	7- $\frac{5}{8}$ "	2- $\frac{3}{8}$ "
SP-DS5024	7- $\frac{3}{4}$ "	2- $\frac{3}{8}$ "
SP-DS5025	7- $\frac{7}{8}$ "	2- $\frac{7}{8}$ "
SP-DS5026	8"	2- $\frac{7}{8}$ "
SP-DS5027	8- $\frac{1}{8}$ "	2- $\frac{7}{8}$ "
SP-DS5028	8- $\frac{1}{4}$ "	2- $\frac{7}{8}$ "
SP-DS5029	8- $\frac{3}{8}$ "	2- $\frac{7}{8}$ "
SP-DS5030	8- $\frac{1}{2}$ "	2- $\frac{7}{8}$ "
SP-DS5031	8- $\frac{5}{8}$ "	2- $\frac{7}{8}$ "
SP-DS5032	8- $\frac{3}{4}$ "	2- $\frac{7}{8}$ "
SP-DS5033	8- $\frac{7}{8}$ "	2- $\frac{7}{8}$ "
SP-DS5034	9"	2- $\frac{7}{8}$ "



SDSM4500 - Special Double-Lipped Strikes Center Hung for Mortise Lock (No Dead Bolt)

Innovation, Quality,
Customer Service...

The sizing chart on the right lists custom layout numbers for all frame sizes from 5- $\frac{1}{4}$ " to 9" for:

- Center hung door
- Mortise lock application (no dead bolt)

ABH has the capability to custom manufacture thousands of different custom double-lipped strikes to fit nearly every application.

Please contact us if you need to match existing preps or if additional customizations are required and we will gladly assist.

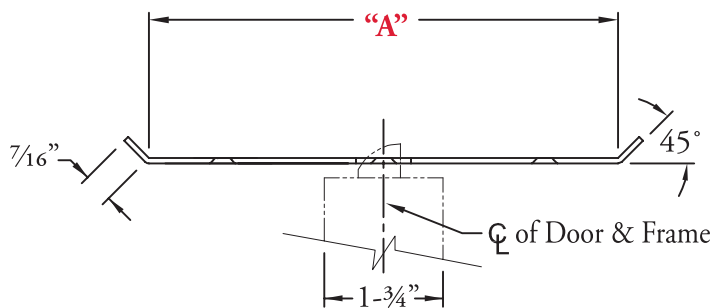
How to Order

Example SDSM4500 x US32D x SP-DS5066

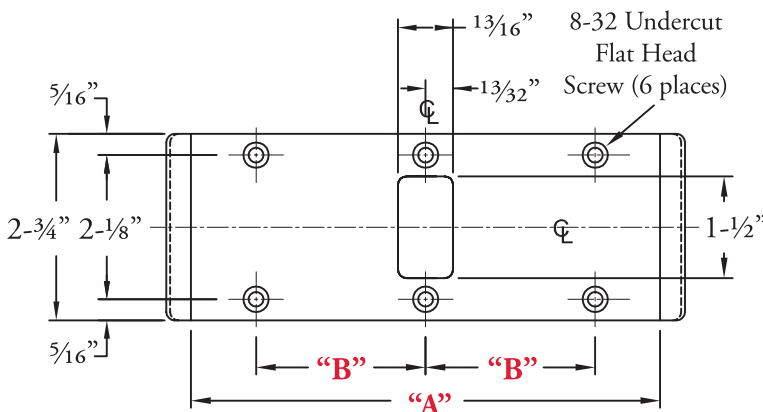
Part Number	Finish	Custom Layout Number	Quantity
SDSM4500			
SDSM4500			

Custom Layout Number	Frame Size	Center to Center Mounting Holes
	"A"	"B"
SP-DS5066	5- $\frac{1}{4}$ "	1- $\frac{7}{8}$ "
SP-DS5067	5- $\frac{3}{8}$ "	1- $\frac{7}{8}$ "
SP-DS5068	5- $\frac{1}{2}$ "	1- $\frac{7}{8}$ "
SP-DS5069	5- $\frac{5}{8}$ "	1- $\frac{7}{8}$ "
SP-DS5070	5- $\frac{3}{4}$ "	1- $\frac{7}{8}$ "
SP-DS5071	5- $\frac{7}{8}$ "	2- $\frac{3}{8}$ "
SP-DS5072	6"	2- $\frac{3}{8}$ "
SP-DS5073	6- $\frac{1}{8}$ "	2- $\frac{3}{8}$ "
SP-DS5074	6- $\frac{1}{4}$ "	2- $\frac{3}{8}$ "
SP-DS5075	6- $\frac{3}{8}$ "	2- $\frac{3}{8}$ "
SP-DS5076	6- $\frac{1}{2}$ "	2- $\frac{3}{8}$ "
SP-DS5077	6- $\frac{5}{8}$ "	2- $\frac{3}{8}$ "
SP-DS5078	6- $\frac{3}{4}$ "	2- $\frac{3}{8}$ "
SP-DS5079	6- $\frac{7}{8}$ "	2- $\frac{3}{8}$ "
SP-DS5080	7"	2- $\frac{3}{8}$ "
SP-DS5081	7- $\frac{1}{8}$ "	2- $\frac{3}{8}$ "
SP-DS5082	7- $\frac{1}{4}$ "	2- $\frac{3}{8}$ "
SP-DS5083	7- $\frac{3}{8}$ "	2- $\frac{3}{8}$ "
SP-DS5084	7- $\frac{1}{2}$ "	2- $\frac{3}{8}$ "
SP-DS5085	7- $\frac{5}{8}$ "	2- $\frac{3}{8}$ "
SP-DS5086	7- $\frac{3}{4}$ "	2- $\frac{3}{8}$ "
SP-DS5087	7- $\frac{7}{8}$ "	2- $\frac{7}{8}$ "
SP-DS5088	8"	2- $\frac{7}{8}$ "
SP-DS5089	8- $\frac{1}{8}$ "	2- $\frac{7}{8}$ "
SP-DS5090	8- $\frac{1}{4}$ "	2- $\frac{7}{8}$ "
SP-DS5091	8- $\frac{3}{8}$ "	2- $\frac{7}{8}$ "
SP-DS5092	8- $\frac{1}{2}$ "	2- $\frac{7}{8}$ "
SP-DS5093	8- $\frac{5}{8}$ "	2- $\frac{7}{8}$ "
SP-DS5094	8- $\frac{3}{4}$ "	2- $\frac{7}{8}$ "
SP-DS5095	8- $\frac{7}{8}$ "	2- $\frac{7}{8}$ "
SP-DS5096	9"	2- $\frac{7}{8}$ "

Top View



Front View



SDSM4500 - Special Double-Lipped Strikes Center Hung for Mortise Lock (With Dead Bolt)

Innovation, Quality,
Customer Service...

The sizing chart on the right lists custom layout numbers for all frame sizes from 5- $\frac{1}{4}$ " to 9" for:

- Center hung door
- Mortise lock application (with dead bolt)

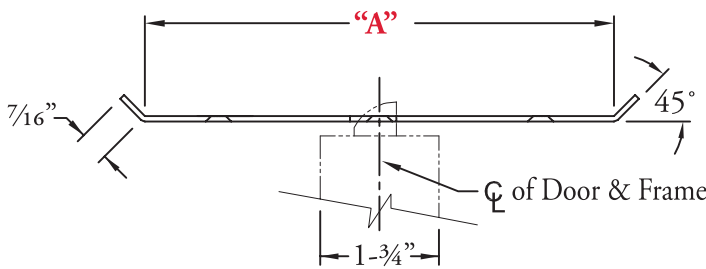
ABH has the capability to custom manufacture thousands of different custom double-lipped strikes to fit nearly every application.

Please contact us if you need to match existing preps or if additional customizations are required and we will gladly assist.

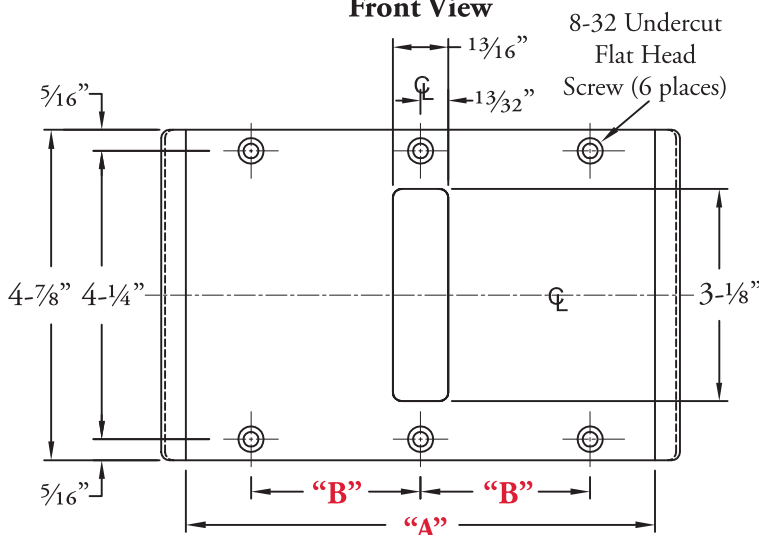
How to Order			
Example SDSM4500 x US32D x SP-DS5250			
Part Number	Finish	Custom Layout Number	Quantity
SDSM4500			
SDSM4500			

Custom Layout Number	Frame Size	Center to Center Mounting Holes
	"A"	"B"
SP-DS5128	5- $\frac{1}{4}$ "	1- $\frac{7}{8}$ "
SP-DS5129	5- $\frac{3}{8}$ "	1- $\frac{7}{8}$ "
SP-DS5130	5- $\frac{1}{2}$ "	1- $\frac{7}{8}$ "
SP-DS5131	5- $\frac{5}{8}$ "	1- $\frac{7}{8}$ "
SP-DS5132	5- $\frac{3}{4}$ "	1- $\frac{7}{8}$ "
SP-DS5133	5- $\frac{7}{8}$ "	2- $\frac{3}{8}$ "
SP-DS5134	6"	2- $\frac{3}{8}$ "
SP-DS5135	6- $\frac{1}{8}$ "	2- $\frac{3}{8}$ "
SP-DS5136	6- $\frac{1}{4}$ "	2- $\frac{3}{8}$ "
SP-DS5137	6- $\frac{3}{8}$ "	2- $\frac{3}{8}$ "
SP-DS5138	6- $\frac{1}{2}$ "	2- $\frac{3}{8}$ "
SP-DS5139	6- $\frac{5}{8}$ "	2- $\frac{3}{8}$ "
SP-DS5140	6- $\frac{3}{4}$ "	2- $\frac{3}{8}$ "
SP-DS5141	6- $\frac{7}{8}$ "	2- $\frac{3}{8}$ "
SP-DS5142	7"	2- $\frac{3}{8}$ "
SP-DS5143	7- $\frac{1}{8}$ "	2- $\frac{3}{8}$ "
SP-DS5144	7- $\frac{1}{4}$ "	2- $\frac{3}{8}$ "
SP-DS5145	7- $\frac{3}{8}$ "	2- $\frac{3}{8}$ "
SP-DS5146	7- $\frac{1}{2}$ "	2- $\frac{3}{8}$ "
SP-DS5147	7- $\frac{5}{8}$ "	2- $\frac{3}{8}$ "
SP-DS5148	7- $\frac{3}{4}$ "	2- $\frac{3}{8}$ "
SP-DS5149	7- $\frac{7}{8}$ "	2- $\frac{7}{8}$ "
SP-DS5150	8"	2- $\frac{7}{8}$ "
SP-DS5151	8- $\frac{1}{8}$ "	2- $\frac{7}{8}$ "
SP-DS5152	8- $\frac{1}{4}$ "	2- $\frac{7}{8}$ "
SP-DS5153	8- $\frac{3}{8}$ "	2- $\frac{7}{8}$ "
SP-DS5154	8- $\frac{1}{2}$ "	2- $\frac{7}{8}$ "
SP-DS5155	8- $\frac{5}{8}$ "	2- $\frac{7}{8}$ "
SP-DS5156	8- $\frac{3}{4}$ "	2- $\frac{7}{8}$ "
SP-DS5157	8- $\frac{7}{8}$ "	2- $\frac{7}{8}$ "
SP-DS5158	9"	2- $\frac{7}{8}$ "

Top View



Front View



SDS4500 - Special Double-Lipped Strikes 1/8" Inset for Cylindrical Latch

Innovation, Quality,
Customer Service...

The sizing chart on the right lists custom layout numbers for all frame sizes from 5-1/4" to 9" for:

- 1/8" inset door
- Cylindrical latch application

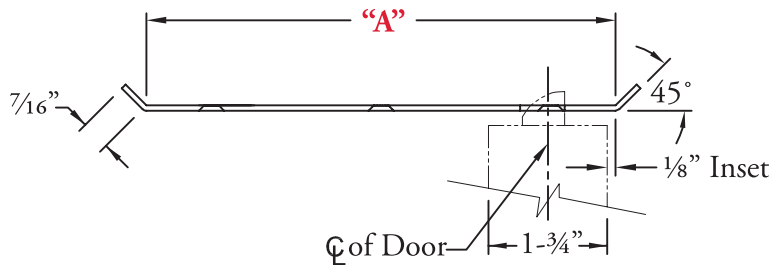
ABH has the capability to custom manufacture thousands of different custom double-lipped strikes to fit nearly every application.

Please contact us if you need to match existing preps or if additional customizations are required and we will gladly assist.

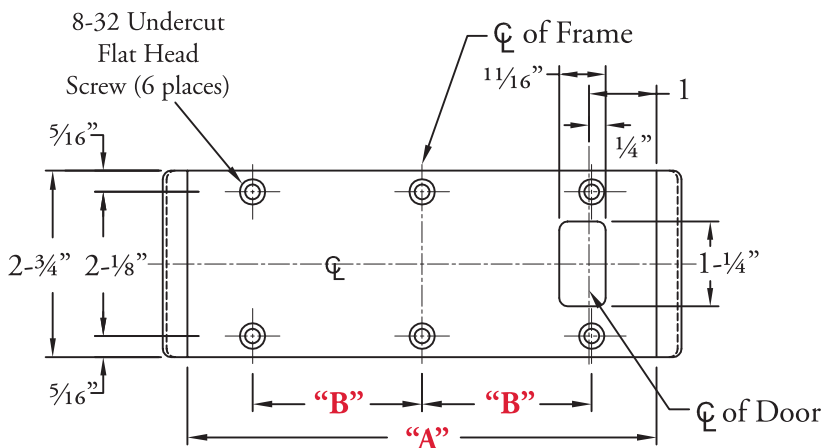
How to Order			
Example SDS4500 x US32D x SP-DS5190			
Part Number	Finish	Custom Layout Number	Quantity
SDS4500			
SDS4500			

Custom Layout Number	Frame Size	Center to Center Mounting Holes
	"A"	"B"
SP-DS5190	5-1/4"	1-7/8"
SP-DS5191	5-3/8"	1-7/8"
SP-DS5192	5-1/2"	1-7/8"
SP-DS5193	5-5/8"	1-7/8"
DS4530	5-3/4"	1-7/8"
SP-DS5194	5-7/8"	2-3/8"
SP-DS5195	6"	2-3/8"
SP-DS5196	6-1/8"	2-3/8"
SP-DS5197	6-1/4"	2-3/8"
SP-DS5198	6-3/8"	2-3/8"
SP-DS5199	6-1/2"	2-3/8"
SP-DS5200	6-5/8"	2-3/8"
DS4540	6-3/4"	2-3/8"
SP-DS5201	6-7/8"	2-3/8"
SP-DS5202	7"	2-3/8"
SP-DS5203	7-1/8"	2-3/8"
SP-DS5204	7-1/4"	2-3/8"
SP-DS5205	7-3/8"	2-3/8"
SP-DS5206	7-1/2"	2-3/8"
SP-DS5207	7-5/8"	2-3/8"
SP-DS5208	7-3/4"	2-3/8"
SP-DS5209	7-7/8"	2-7/8"
SP-DS5210	8"	2-7/8"
SP-DS5211	8-1/8"	2-7/8"
SP-DS5212	8-1/4"	2-7/8"
SP-DS5213	8-3/8"	2-7/8"
SP-DS5214	8-1/2"	2-7/8"
SP-DS5215	8-5/8"	2-7/8"
SP-DS5216	8-3/4"	2-7/8"
SP-DS5217	8-7/8"	2-7/8"
SP-DS5218	9"	2-7/8"

Top View



Front View



SDSM4500 - Special Double-Lipped Strikes 1/8" Inset for Mortise Lock (No Dead Bolt)

Innovation, Quality,
Customer Service...

The sizing chart on the right lists custom layout numbers for all frame sizes from 5-1/4" to 9" for:

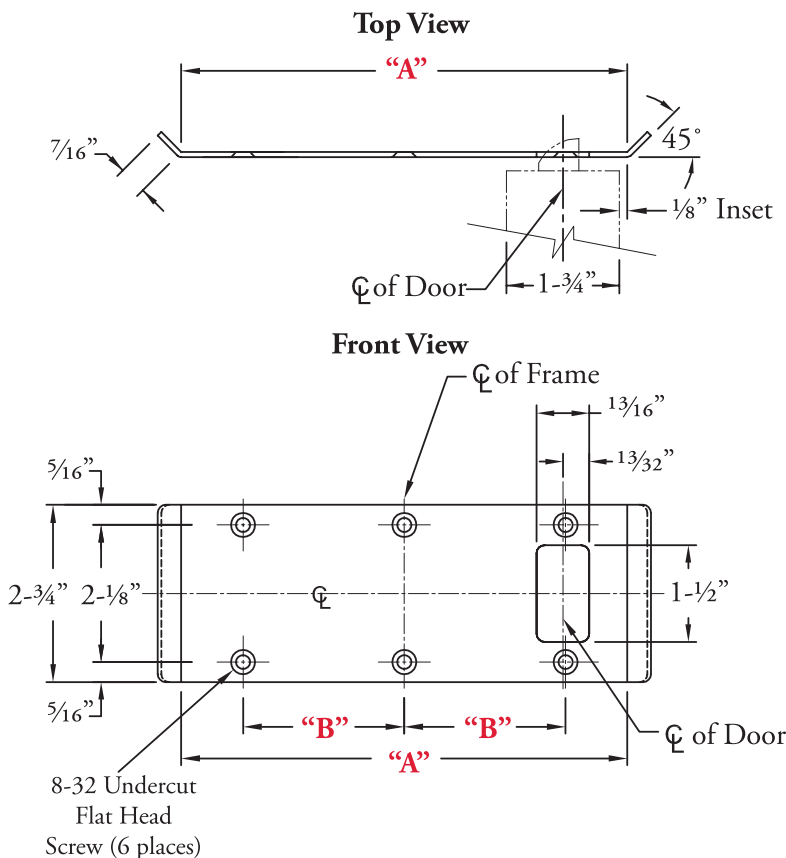
- 1/8" inset door
- Mortise lock application (no dead bolt)

ABH has the capability to custom manufacture thousands of different custom double-lipped strikes to fit nearly every application.

Please contact us if you need to match existing preps or if additional customizations are required and we will gladly assist.

How to Order			
Example SDSM4500 x US32D x SP-DS5250			
Part Number	Finish	Custom Layout Number	Quantity
SDSM4500			
SDSM4500			

Custom Layout Number	Frame Size	Center to Center Mounting Holes
	"A"	"B"
SP-DS5250	5-1/4"	1-7/8"
SP-DS5251	5-3/8"	1-7/8"
SP-DS5252	5-1/2"	1-7/8"
SP-DS5253	5-5/8"	1-7/8"
SP-DS5254	5-3/4"	1-7/8"
SP-DS5255	5-7/8"	2-3/8"
SP-DS5256	6"	2-3/8"
SP-DS5257	6-1/8"	2-3/8"
SP-DS5258	6-1/4"	2-3/8"
SP-DS5259	6-3/8"	2-3/8"
SP-DS5260	6-1/2"	2-3/8"
SP-DS5261	6-5/8"	2-3/8"
SP-DS5262	6-3/4"	2-3/8"
SP-DS5263	6-7/8"	2-3/8"
SP-DS5264	7"	2-3/8"
SP-DS5265	7-1/8"	2-3/8"
SP-DS5266	7-1/4"	2-3/8"
SP-DS5267	7-3/8"	2-3/8"
SP-DS5268	7-1/2"	2-3/8"
SP-DS5269	7-5/8"	2-3/8"
SP-DS5270	7-3/4"	2-3/8"
SP-DS5271	7-7/8"	2-7/8"
SP-DS5272	8"	2-7/8"
SP-DS5273	8-1/8"	2-7/8"
SP-DS5274	8-1/4"	2-7/8"
SP-DS5275	8-3/8"	2-7/8"
SP-DS5276	8-1/2"	2-7/8"
SP-DS5277	8-5/8"	2-7/8"
SP-DS5278	8-3/4"	2-7/8"
SP-DS5279	8-7/8"	2-7/8"
SP-DS5280	9"	2-7/8"



SDSM4500 - Special Double-Lipped Strikes 1/8" Inset for Mortise Lock (With Dead Bolt)

Innovation, Quality,
Customer Service...

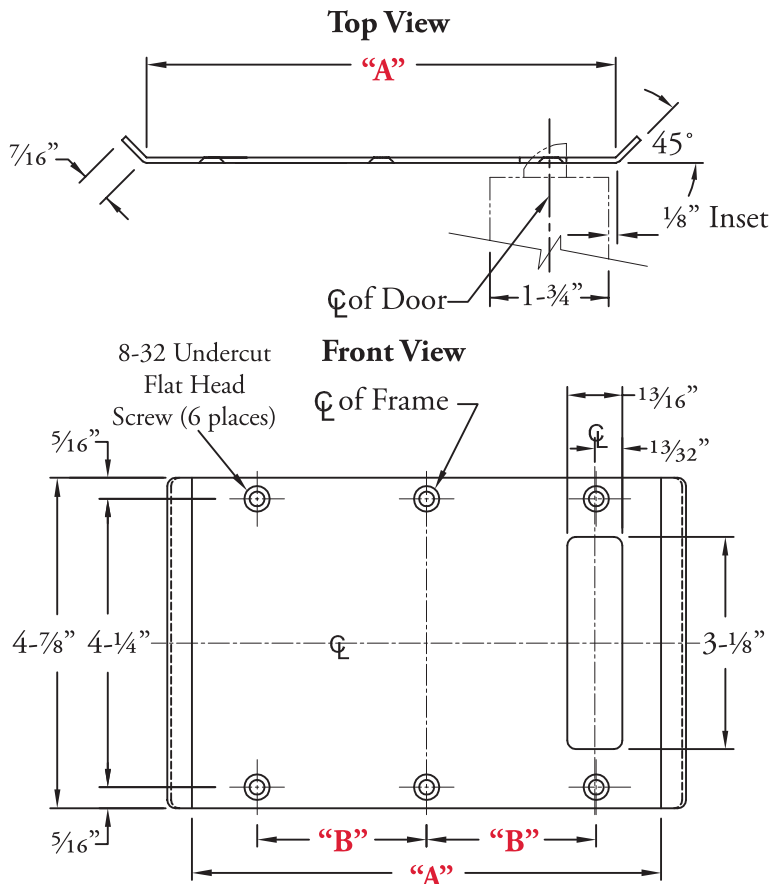
The sizing chart on the right lists custom layout numbers for all frame sizes from 5-1/4" to 9" for:

- 1/8" inset door
- Mortise lock application (with dead bolt)

ABH has the capability to custom manufacture thousands of different custom double-lipped strikes to fit nearly every application.

Please contact us if you need to match existing preps or if additional customizations are required and we will gladly assist.

How to Order			
Example SDSM4500 x US32D x SP-CR5312			
Part Number	Finish	Custom Layout Number	Quantity
SDSM4500			
SDSM4500			



Custom Layout Number	Frame Size	Center to Center Mounting Holes
	"A"	"B"
SP-DS5312	5-1/4"	1-7/8"
SP-DS5313	5-3/8"	1-7/8"
SP-DS5314	5-1/2"	1-7/8"
SP-DS5315	5-5/8"	1-7/8"
SP-DS5316	5-3/4"	1-7/8"
SP-DS5317	5-7/8"	2-3/8"
SP-DS5318	6"	2-3/8"
SP-DS5319	6-1/8"	2-3/8"
SP-DS5320	6-1/4"	2-3/8"
SP-DS5321	6-3/8"	2-3/8"
SP-DS5322	6-1/2"	2-3/8"
SP-DS5323	6-5/8"	2-3/8"
SP-DS5324	6-3/4"	2-3/8"
SP-DS5325	6-7/8"	2-3/8"
SP-DS5326	7"	2-3/8"
SP-DS5327	7-1/8"	2-3/8"
SP-DS5328	7-1/4"	2-3/8"
SP-DS5329	7-3/8"	2-3/8"
SP-DS5330	7-1/2"	2-3/8"
SP-DS5331	7-5/8"	2-3/8"
SP-DS5332	7-3/4"	2-3/8"
SP-DS5333	7-7/8"	2-7/8"
SP-DS5334	8"	2-7/8"
SP-DS5335	8-1/8"	2-7/8"
SP-DS5336	8-1/4"	2-7/8"
SP-DS5337	8-3/8"	2-7/8"
SP-DS5338	8-1/2"	2-7/8"
SP-DS5339	8-5/8"	2-7/8"
SP-DS5340	8-3/4"	2-7/8"
SP-DS5341	8-7/8"	2-7/8"
SP-DS5342	9"	2-7/8"

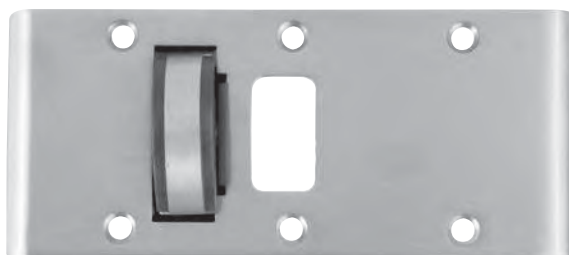


Double-Lipped Strike & Rescue Stop Combos Half-Moon Style

Innovation, Quality,
Customer Service...

Standard Features

- Intended for use in hospital or nursing home patient bathroom doors
- Allows door to open in both directions without damaging the frame after manually rotating the rescue stop into the frame
- Stop automatically returns to projected position when released
- Built-in hold back option
- Door to be mounted on center hung pivot set - ABH 0327, 0127, 0128 or 0370 (see pivot section for details)
- For use on 1-3/4" thick doors - center hung or 1/8" inset
- Cut-out is standard for cylindrical latches. Custom units available for mortise locks (see pages J-11 to J-16)
- Standard frame sizes are 5-3/4" and 6-3/4". Custom frame sizes available (see pages J-11 to J-16)
- Supplied with 8-32 x 3/8" undercut machine screws
- .074" thick stainless steel material
- Available in US32D, US32, US10B, US10, US3 and US4 finishes - Contact factory for custom finish
- Meets and/or exceeds ANSI Standard A1882



Center Hung Door - Cylindrical Latch
CR4550 - 5-3/4" Frame
CR4560 - 6-3/4" Frame



1/8" Inset Door - Cylindrical
CR4570 - 5-3/4" Frame
CR4580 - 6-3/4" Frame

Model Number	Frame Size	Strike Height	Latch Type	Door Inset
CR4550	5-3/4"	2-3/4"	Cylindrical	Center Hung
CR4560	6-3/4"	2-3/4"	Cylindrical	Center Hung
CR4570	5-3/4"	2-3/4"	Cylindrical	1/8" Inset
CR4580	6-3/4"	2-3/4"	Cylindrical	1/8" Inset

Architectural Builders Hardware Manufacturing, Inc.
1222 Ardmore Avenue, Itasca, IL 60143
Tel: 630-875-9900 • Fax: 630-875-9918 / 800-932-9224
Web: www.abhmfg.com • Email: abhinfo@abhmfg.com



SCR4550 Special Double-Lipped Strike & Rescue Stop Combo Center Hung for Cylindrical Latch

Innovation, Quality,
Customer Service...

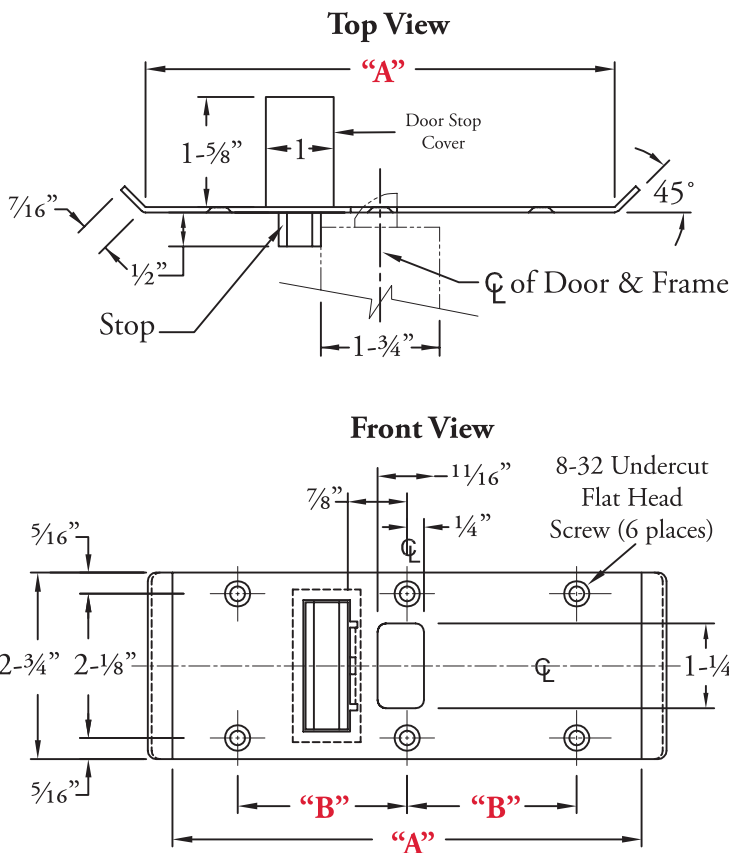
The sizing chart on the right lists custom layout numbers for all frame sizes from 5-1/4" to 9" for:

- Center hung door
- Cylindrical latch application

ABH has the capability to custom manufacture thousands of different custom double-lipped strike and rescue stop combos to fit nearly every application.

Please contact us if you need to match existing preps or if additional customizations are required and we will gladly assist.

How to Order			
Example SCR4550 x US32D x SP-CR506			
Part Number	Finish	Custom Layout Number	Quantity
SCR4550			
SCR4550			



Custom Layout Number	Frame Size	Center to Center Mounting Holes
	"A"	"B"
SP-CR506	5-1/4"	1-7/8"
SP-CR507	5-3/8"	1-7/8"
SP-CR508	5-1/2"	1-7/8"
SP-CR509	5-5/8"	1-7/8"
CR4550	5-3/4"	1-7/8"
SP-CR510	5-7/8"	2-3/8"
SP-CR511	6"	2-3/8"
SP-CR512	6-1/8"	2-3/8"
SP-CR513	6-1/4"	2-3/8"
SP-CR514	6-3/8"	2-3/8"
SP-CR515	6-1/2"	2-3/8"
SP-CR516	6-5/8"	2-3/8"
CR4560	6-3/4"	2-3/8"
SP-CR517	6-7/8"	2-3/8"
SP-CR518	7"	2-3/8"
SP-CR519	7-1/8"	2-3/8"
SP-CR520	7-1/4"	2-3/8"
SP-CR521	7-3/8"	2-3/8"
SP-CR522	7-1/2"	2-3/8"
SP-CR523	7-5/8"	2-3/8"
SP-CR524	7-3/4"	2-3/8"
SP-CR525	7-7/8"	2-7/8"
SP-CR526	8"	2-7/8"
SP-CR527	8-1/8"	2-7/8"
SP-CR528	8-1/4"	2-7/8"
SP-CR529	8-3/8"	2-7/8"
SP-CR530	8-1/2"	2-7/8"
SP-CR531	8-5/8"	2-7/8"
SP-CR532	8-3/4"	2-7/8"
SP-CR533	8-7/8"	2-7/8"
SP-CR534	9"	2-7/8"



SCRM4550

Special Double-Lipped Strike & Rescue Stop Combo Center Hung for Mortise Lock (No Dead Bolt)

The sizing chart on the right lists custom layout numbers for all frame sizes from 5-1/4" to 9" for:

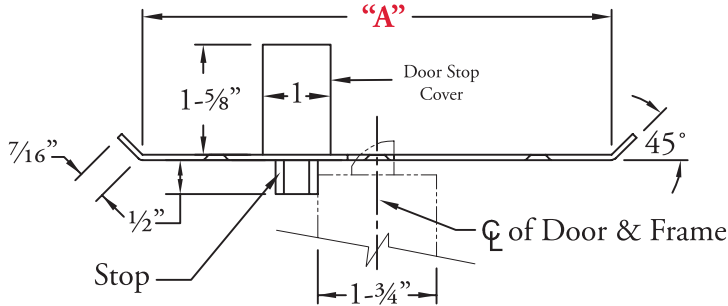
- Center hung door
- Mortise lock application (no dead bolt)

ABH has the capability to custom manufacture thousands of different custom double-lipped strike and rescue stop combos to fit nearly every application.

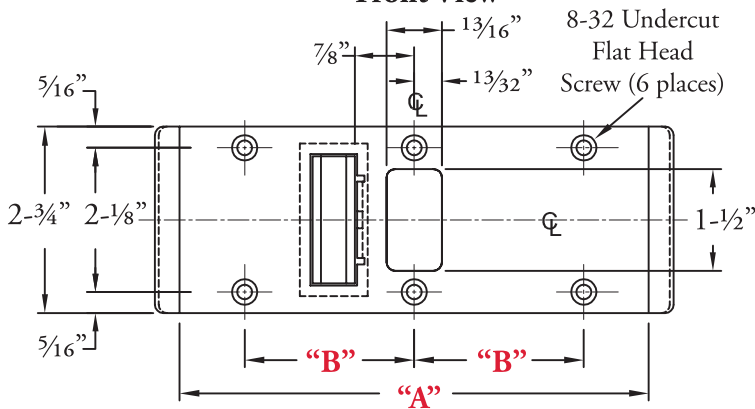
Please contact us if you need to match existing preps or if additional customizations are required and we will gladly assist.

How to Order			
Example SCRM4550 x US32D x SP-CR566			
Part Number	Finish	Custom Layout Number	Quantity
SCRM4550			
SCRM4550			

Top View



Front View



Custom Layout Number	Frame Size	Center to Center Mounting Holes
	"A"	"B"
SP-CR566	5-1/4"	1-7/8"
SP-CR567	5-3/8"	1-7/8"
SP-CR568	5-1/2"	1-7/8"
SP-CR569	5-5/8"	1-7/8"
SP-CR570	5-3/4"	1-7/8"
SP-CR571	5-7/8"	2-3/8"
SP-CR572	6"	2-3/8"
SP-CR573	6-1/8"	2-3/8"
SP-CR574	6-1/4"	2-3/8"
SP-CR575	6-3/8"	2-3/8"
SP-CR576	6-1/2"	2-3/8"
SP-CR577	6-5/8"	2-3/8"
SP-CR578	6-3/4"	2-3/8"
SP-CR579	6-7/8"	2-3/8"
SP-CR580	7"	2-3/8"
SP-CR581	7-1/8"	2-3/8"
SP-CR582	7-1/4"	2-3/8"
SP-CR583	7-3/8"	2-3/8"
SP-CR584	7-1/2"	2-3/8"
SP-CR585	7-5/8"	2-3/8"
SP-CR586	7-3/4"	2-3/8"
SP-CR587	7-7/8"	2-7/8"
SP-CR588	8"	2-7/8"
SP-CR589	8-1/8"	2-7/8"
SP-CR590	8-1/4"	2-7/8"
SP-CR591	8-3/8"	2-7/8"
SP-CR592	8-1/2"	2-7/8"
SP-CR593	8-5/8"	2-7/8"
SP-CR594	8-3/4"	2-7/8"
SP-CR595	8-7/8"	2-7/8"
SP-CR596	9"	2-7/8"



SCRM4550 Special Double-Lipped Strike & Rescue Stop Combo Center Hung for Mortise Lock (With Dead Bolt)

Innovation, Quality,
Customer Service...

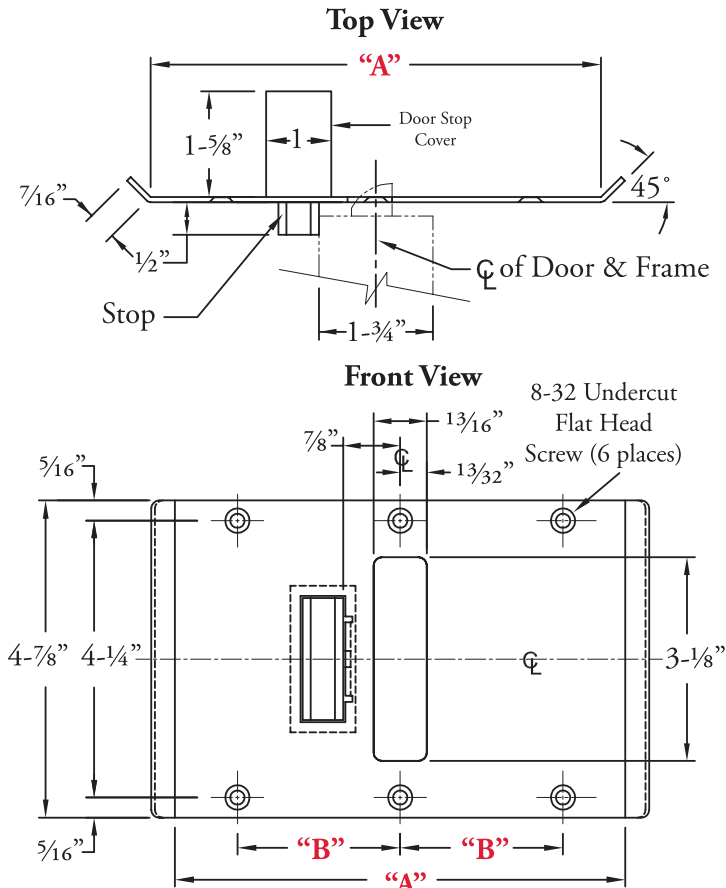
The sizing chart on the right lists custom layout numbers for all frame sizes from 5-1/4" to 9" for:

- Center hung door
- Mortise lock application (with dead bolt)

ABH has the capability to custom manufacture thousands of different custom double-lipped strike and rescue stop combos to fit nearly every application.

Please contact us if you need to match existing preps or if additional customizations are required and we will gladly assist.

How to Order			
Example SCRM4550 x US32D x SP-CR628			
Part Number	Finish	Custom Layout Number	Quantity
SCRM4550			
SCRM4550			



Custom Layout Number	Frame Size	Center to Center Mounting Holes
	"A"	"B"
SP-CR628	5-1/4"	1-7/8"
SP-CR629	5-3/8"	1-7/8"
SP-CR630	5-1/2"	1-7/8"
SP-CR631	5-5/8"	1-7/8"
SP-CR632	5-3/4"	1-7/8"
SP-CR633	5-7/8"	2-3/8"
SP-CR634	6"	2-3/8"
SP-CR635	6-1/8"	2-3/8"
SP-CR636	6-1/4"	2-3/8"
SP-CR637	6-3/8"	2-3/8"
SP-CR638	6-1/2"	2-3/8"
SP-CR639	6-5/8"	2-3/8"
SP-CR640	6-3/4"	2-3/8"
SP-CR641	6-7/8"	2-3/8"
SP-CR642	7"	2-3/8"
SP-CR643	7-1/8"	2-3/8"
SP-CR644	7-1/4"	2-3/8"
SP-CR645	7-3/8"	2-3/8"
SP-CR646	7-1/2"	2-3/8"
SP-CR647	7-5/8"	2-3/8"
SP-CR648	7-3/4"	2-3/8"
SP-CR649	7-7/8"	2-7/8"
SP-CR650	8"	2-7/8"
SP-CR651	8-1/8"	2-7/8"
SP-CR652	8-1/4"	2-7/8"
SP-CR653	8-3/8"	2-7/8"
SP-CR654	8-1/2"	2-7/8"
SP-CR655	8-5/8"	2-7/8"
SP-CR656	8-3/4"	2-7/8"
SP-CR657	8-7/8"	2-7/8"
SP-CR658	9"	2-7/8"



SCR4550 Special Double-Lipped Strike & Rescue Stop Combo 1/8" Inset for Cylindrical Latch

Innovation, Quality,
Customer Service...

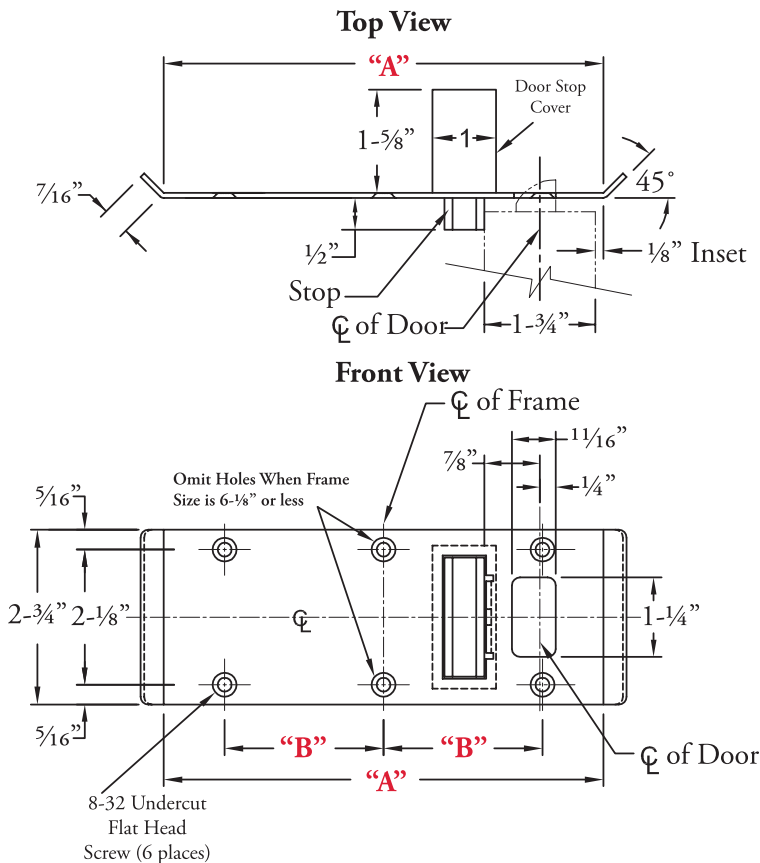
The sizing chart on the right lists custom layout numbers for all frame sizes from 5-1/4" to 9" for:

- 1/8" inset door
- Cylindrical latch application

ABH has the capability to custom manufacture thousands of different custom double-lipped strike and rescue stop combos to fit nearly every application.

Please contact us if you need to match existing preps or if additional customizations are required and we will gladly assist.

How to Order			
Example SCR4550 x US32D x SP-CR690			
Part Number	Finish	Custom Layout Number	Quantity
SCR4550			
SCR4550			



Custom Layout Number	Frame Size	Center to Center Mounting Holes
	"A"	"B"
SP-CR690	5-1/4"	1-7/8"
SP-CR691	5-3/8"	1-7/8"
SP-CR692	5-1/2"	1-7/8"
SP-CR693	5-5/8"	1-7/8"
CR4570	5-3/4"	1-7/8"
SP-CR694	5-7/8"	2-3/8"
SP-CR695	6"	2-3/8"
SP-CR696	6-1/8"	2-3/8"
SP-CR697	6-1/4"	2-3/8"
SP-CR698	6-3/8"	2-3/8"
SP-CR699	6-1/2"	2-3/8"
SP-CR700	6-5/8"	2-3/8"
CR4580	6-3/4"	2-3/8"
SP-CR701	6-7/8"	2-3/8"
SP-CR702	7"	2-3/8"
SP-CR703	7-1/8"	2-3/8"
SP-CR704	7-1/4"	2-3/8"
SP-CR705	7-3/8"	2-3/8"
SP-CR706	7-1/2"	2-3/8"
SP-CR707	7-5/8"	2-3/8"
SP-CR708	7-3/4"	2-3/8"
SP-CR709	7-7/8"	2-7/8"
SP-CR710	8"	2-7/8"
SP-CR711	8-1/8"	2-7/8"
SP-CR712	8-1/4"	2-7/8"
SP-CR713	8-3/8"	2-7/8"
SP-CR714	8-1/2"	2-7/8"
SP-CR715	8-5/8"	3-3/8"
SP-CR716	8-3/4"	3-3/8"
SP-CR717	8-7/8"	3-3/8"
SP-CR718	9"	3-3/8"



SCRM4550

Special Double-Lipped Strike & Rescue Stop Combo 1/8" Inset for Mortise Lock (No Dead Bolt)

The sizing chart on the right lists custom layout numbers for all frame sizes from 5-1/4" to 9" for:

- 1/8" inset door
- Mortise lock application (no dead bolt)

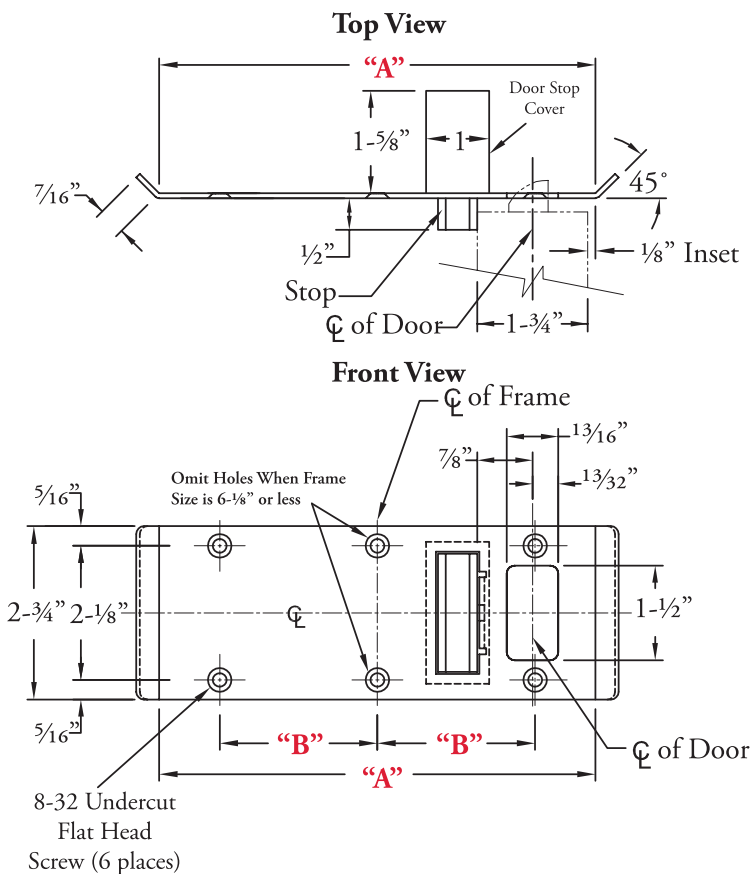
ABH has the capability to custom manufacture thousands of different custom double-lipped strike and rescue stop combos to fit nearly every application.

Please contact us if you need to match existing preps or if additional customizations are required and we will gladly assist.

How to Order

Example SCRM4550 x US32D x SP-CR750

Part Number	Finish	Custom Layout Number	Quantity
SCRM4550			
SCRM4550			



Custom Layout Number	Frame Size	Center to Center Mounting Holes
	"A"	"B"
SP-CR750	5-1/4"	1-7/8"
SP-CR751	5-3/8"	1-7/8"
SP-CR752	5-1/2"	1-7/8"
SP-CR753	5-5/8"	1-7/8"
SP-CR754	5-3/4"	1-7/8"
SP-CR755	5-7/8"	2-3/8"
SP-CR756	6"	2-3/8"
SP-CR757	6-1/8"	2-3/8"
SP-CR758	6-1/4"	2-3/8"
SP-CR759	6-3/8"	2-3/8"
SP-CR760	6-1/2"	2-3/8"
SP-CR761	6-5/8"	2-3/8"
SP-CR762	6-3/4"	2-3/8"
SP-CR763	6-7/8"	2-3/8"
SP-CR764	7"	2-3/8"
SP-CR765	7-1/8"	2-3/8"
SP-CR766	7-1/4"	2-3/8"
SP-CR767	7-3/8"	2-3/8"
SP-CR768	7-1/2"	2-3/8"
SP-CR769	7-5/8"	2-3/8"
SP-CR770	7-3/4"	2-3/8"
SP-CR771	7-7/8"	2-7/8"
SP-CR772	8"	2-7/8"
SP-CR773	8-1/8"	2-7/8"
SP-CR774	8-1/4"	2-7/8"
SP-CR775	8-3/8"	2-7/8"
SP-CR776	8-1/2"	2-7/8"
SP-CR777	8-5/8"	3-3/8"
SP-CR778	8-3/4"	3-3/8"
SP-CR779	8-7/8"	3-3/8"
SP-CR780	9"	3-3/8"



SCRM4550

Special Double-Lipped Strike & Rescue Stop Combo 1/8" Inset for Mortise Lock (With Dead Bolt)

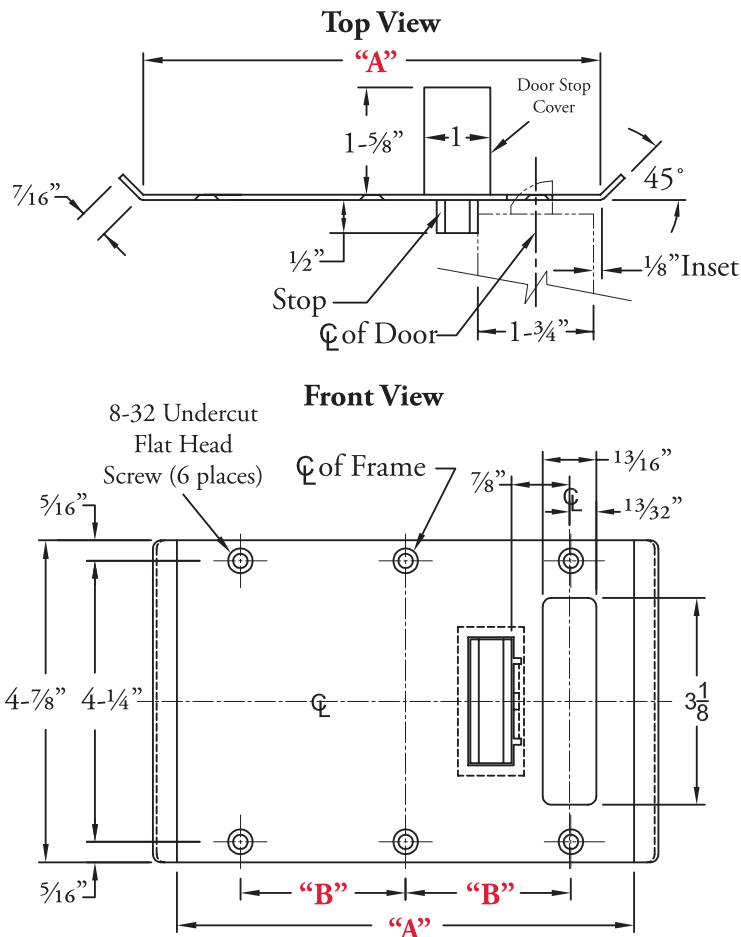
The sizing chart on the right lists custom layout numbers for all frame sizes from 5-1/4" to 9" for:

- 1/8" inset door
- Mortise lock application (with dead bolt)

ABH has the capability to custom manufacture thousands of different custom double-lipped strike and rescue stop combos to fit nearly every application.

Please contact us if you need to match existing preps or if additional customizations are required and we will gladly assist.

How to Order			
Example SCRM4550 x US32D x SP-CR812			
Part Number	Finish	Custom Layout Number	Quantity
SCRM4550			
SCRM4550			



Custom Layout Number	Frame Size	Center to Center Mounting Holes
	"A"	"B"
SP-CR812	5-1/4"	1-7/8"
SP-CR813	5-3/8"	1-7/8"
SP-CR814	5-1/2"	1-7/8"
SP-CR815	5-5/8"	1-7/8"
SP-CR816	5-3/4"	1-7/8"
SP-CR817	5-7/8"	2-3/8"
SP-CR818	6"	2-3/8"
SP-CR819	6-1/8"	2-3/8"
SP-CR820	6-1/4"	2-3/8"
SP-CR821	6-3/8"	2-3/8"
SP-CR822	6-1/2"	2-3/8"
SP-CR823	6-5/8"	2-3/8"
SP-CR824	6-3/4"	2-3/8"
SP-CR825	6-7/8"	2-3/8"
SP-CR826	7"	2-3/8"
SP-CR827	7-1/8"	2-3/8"
SP-CR828	7-1/4"	2-3/8"
SP-CR829	7-3/8"	2-3/8"
SP-CR830	7-1/2"	2-3/8"
SP-CR831	7-5/8"	2-3/8"
SP-CR832	7-1/4"	2-3/8"
SP-CR833	7-7/8"	2-7/8"
SP-CR834	8"	2-7/8"
SP-CR835	8-1/8"	2-7/8"
SP-CR836	8-1/4"	2-7/8"
SP-CR837	8-3/8"	2-7/8"
SP-CR838	8-1/2"	2-7/8"
SP-CR839	8-5/8"	2-7/8"
SP-CR840	8-3/4"	2-7/8"
SP-CR841	8-7/8"	2-7/8"
SP-CR842	9"	2-7/8"



Double-Lipped Strike & Rescue Stop Combos Flipper Style

Innovation, Quality,
Customer Service...

Standard Features

- Intended for use in hospital or nursing home patient bathroom doors
- Allows door to open in both directions without damaging the frame after manually pushing the rescue stop into the frame
- Stop automatically returns to projected position when released
- Door to be mounted on center hung pivot set – ABH 0327, 0127, 0128 or 0370 (see pivot section for details)
- For use on 1-3/4" thick doors - center hung or 1/8" inset
- Cut-out is standard for cylindrical latches. Custom units available for mortise locks (see pages J-19 to J-23)
- Standard frame sizes are 5-3/4" and 6-3/4". Custom frame sizes available (see pages J-18 to J-23)
- Supplied with 8-32 x 3/8" undercut machine screws
- .074" thick stainless steel material
- Available in US32D, US32, US10B, US10, US3 and US4 finishes – Contact factory for custom finish
- Meets and/or exceeds ANSI Standard A1882



Center Hung Door - Cylindrical Latch
CR4591 - 5-3/4" Frame
CR4592 - 6-3/4" Frame



1/8" Inset Door - Cylindrical Latch
CR4594 - 5-3/4" Frame
CR4593 - 6-3/4" Frame

Model Number	Frame Size	Strike Height	Latch Type	Door Inset
CR4591	5-3/4"	2-3/4"	Cylindrical	Center Hung
CR4592	6-3/4"	2-3/4"	Cylindrical	Center Hung
CR4594	5-3/4"	2-3/4"	Cylindrical	1/8" Inset
CR4593	6-3/4"	2-3/4"	Cylindrical	1/8" Inset



SCR4590 Special Double-Lipped Strike & Rescue Stop Combo Center Hung for Cylindrical Latch

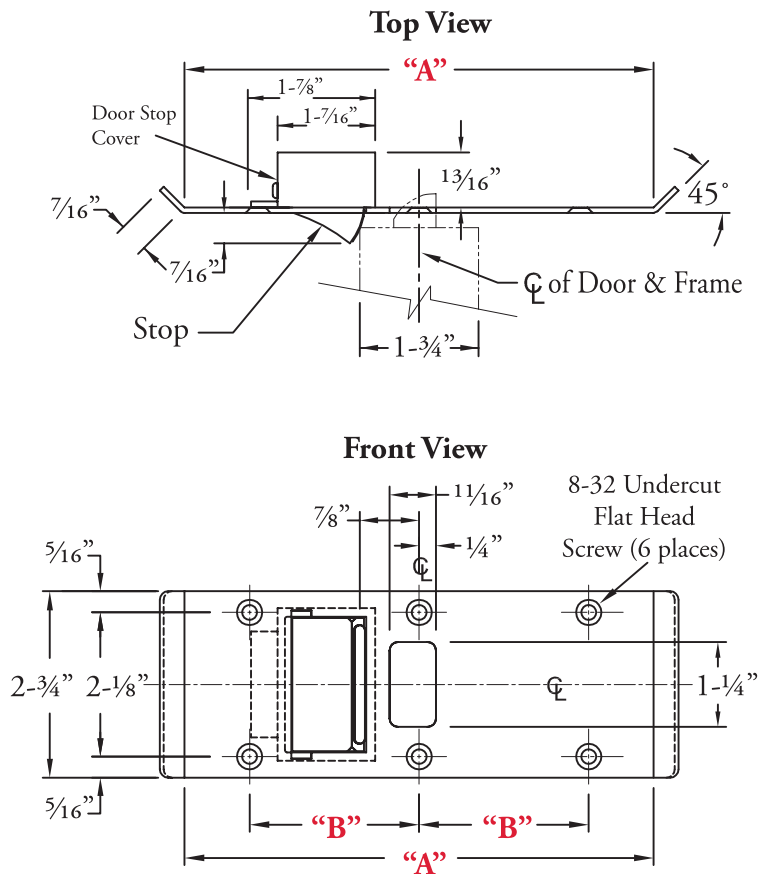
The sizing chart on the right lists custom layout numbers for all frame sizes from 5-1/4" to 9" for:

- Center hung door
- Cylindrical latch application

ABH has the capability to custom manufacture thousands of different custom double-lipped strike and rescue stop combos to fit nearly every application.

Please contact us if you need to match existing preps or if additional customizations are required and we will gladly assist.

How to Order			
Example SCR4590 x US32D x SP-CR868			
Part Number	Finish	Custom Layout Number	Quantity
SCR4590			
SCR4590			



Custom Layout Number	Frame Size	Center to Center Mounting Holes
	"A"	"B"
SP-CR868	5-1/4"	2-3/8"
SP-CR869	5-3/8"	2-3/8"
SP-CR870	5-1/2"	2-3/8"
SP-CR871	5-5/8"	2-3/8"
CR4591	5-3/4"	2-3/8"
SP-CR872	5-7/8"	2-3/8"
SP-CR873	6"	2-3/8"
SP-CR874	6-1/8"	2-3/8"
SP-CR875	6-1/4"	2-3/8"
SP-CR876	6-3/8"	2-3/8"
SP-CR877	6-1/2"	2-3/8"
SP-CR878	6-5/8"	2-3/8"
CR4592	6-3/4"	2-3/8"
SP-CR879	6-7/8"	2-3/8"
SP-CR880	7"	2-3/8"
SP-CR881	7-1/8"	2-3/8"
SP-CR882	7-1/4"	2-3/8"
SP-CR883	7-3/8"	2-3/8"
SP-CR884	7-1/2"	2-3/8"
SP-CR885	7-5/8"	3-3/8"
SP-CR886	7-3/4"	3-3/8"
SP-CR887	7-7/8"	3-3/8"
SP-CR888	8"	3-3/8"
SP-CR889	8-1/8"	3-3/8"
SP-CR890	8-1/4"	3-3/8"
SP-CR891	8-3/8"	3-3/8"
SP-CR892	8-1/2"	3-3/8"
SP-CR893	8-5/8"	3-3/8"
SP-CR894	8-3/4"	3-3/8"
SP-CR895	8-7/8"	3-3/8"
SP-CR896	9"	3-3/8"



SCRM4590 Special Double-Lipped Strike & Rescue Stop Combo Center Hung for Mortise Lock (No Dead Bolt)

Innovation, Quality,
Customer Service...

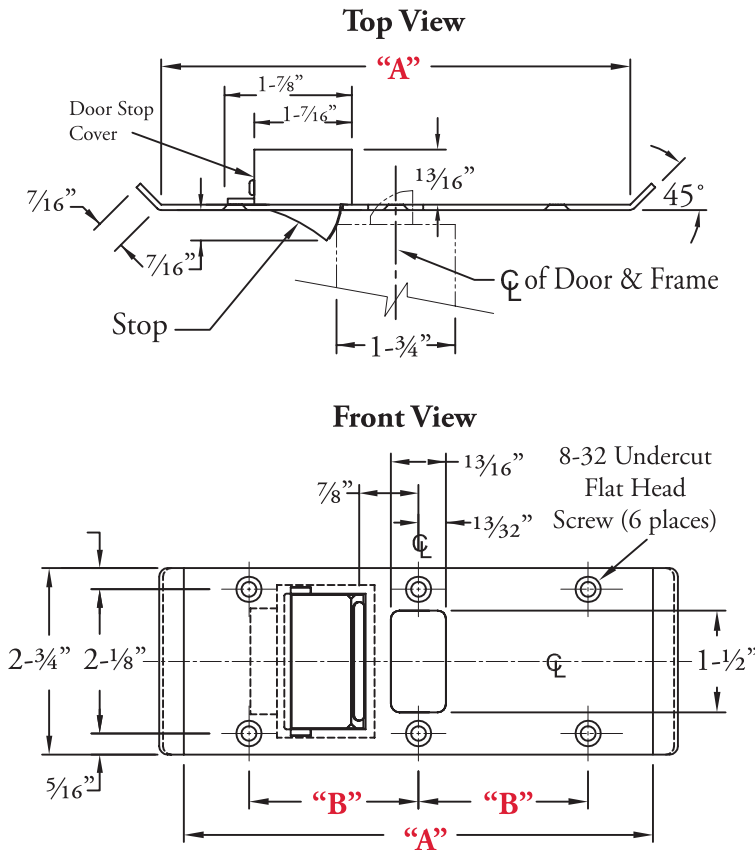
The sizing chart on the right lists custom layout numbers for all frame sizes from 5-1/4" to 9" for:

- Center hung door
- Mortise lock application (no dead bolt)

ABH has the capability to custom manufacture thousands of different custom double-lipped strike and rescue stop combos to fit nearly every application.

Please contact us if you need to match existing preps or if additional customizations are required and we will gladly assist.

How to Order			
Example SCRM4590 x US32D x SP-CR922			
Part Number	Finish	Custom Layout Number	Quantity
SCRM4590			
SCRM4590			



Custom Layout Number	Frame Size	Center to Center Mounting Holes
	"A"	"B"
SP-CR922	5-1/4"	2-3/8"
SP-CR923	5-3/8"	2-3/8"
SP-CR924	5-1/2"	2-3/8"
SP-CR925	5-5/8"	2-3/8"
SP-CR926	5-3/4"	2-3/8"
SP-CR927	5-7/8"	2-3/8"
SP-CR928	6"	2-3/8"
SP-CR929	6-1/8"	2-3/8"
SP-CR930	6-1/4"	2-3/8"
SP-CR931	6-3/8"	2-3/8"
SP-CR932	6-1/2"	2-3/8"
SP-CR933	6-5/8"	2-3/8"
SP-CR934	6-3/4"	2-3/8"
SP-CR935	6-7/8"	2-3/8"
SP-CR936	7"	2-3/8"
SP-CR937	7-1/8"	2-3/8"
SP-CR938	7-1/4"	2-3/8"
SP-CR939	7-3/8"	2-3/8"
SP-CR940	7-1/2"	2-3/8"
SP-CR941	7-5/8"	3-3/8"
SP-CR942	7-3/4"	3-3/8"
SP-CR943	7-7/8"	3-3/8"
SP-CR944	8"	3-3/8"
SP-CR945	8-1/8"	3-3/8"
SP-CR946	8-1/4"	3-3/8"
SP-CR947	8-3/8"	3-3/8"
SP-CR948	8-1/2"	3-3/8"
SP-CR949	8-5/8"	3-3/8"
SP-CR950	8-3/4"	3-3/8"
SP-CR951	8-7/8"	3-3/8"
SP-CR952	9"	3-3/8"



SCRM4590 Special Double-Lipped Strike & Rescue Stop Combo Center Hung for Mortise Lock (With Dead Bolt)

Innovation, Quality,
Customer Service...

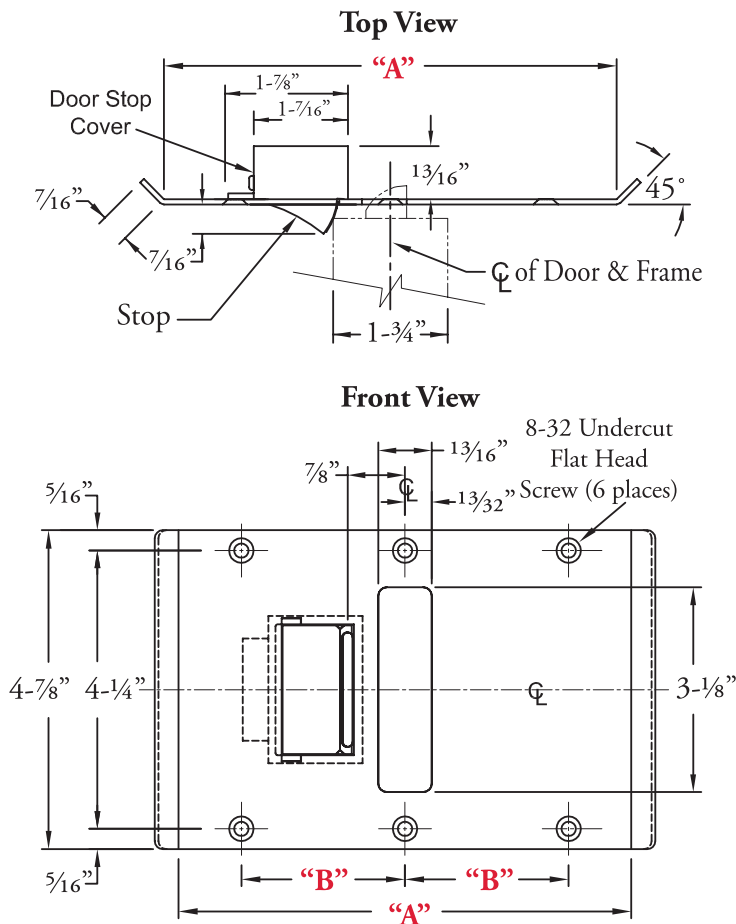
The sizing chart on the right lists custom layout numbers for all frame sizes from 5-1/4" to 9" for:

- Center hung door
- Mortise lock application (with dead bolt)

ABH has the capability to custom manufacture thousands of different custom double-lipped strike and rescue stop combos to fit nearly every application.

Please contact us if you need to match existing preps or if additional customizations are required and we will gladly assist.

How to Order			
Example SCRM4590 x US32D x SP-CR978			
Part Number	Finish	Custom Layout Number	Quantity
SCRM4590			
SCRM4590			



Custom Layout Number	Frame Size	Center to Center Mounting Holes
	"A"	"B"
SP-CR978	5-1/4"	2-3/8"
SP-CR979	5-3/8"	2-3/8"
SP-CR980	5-1/2"	2-3/8"
SP-CR981	5-5/8"	2-3/8"
SP-CR982	5-3/4"	2-3/8"
SP-CR983	5-7/8"	2-3/8"
SP-CR984	6"	2-3/8"
SP-CR985	6-1/8"	2-3/8"
SP-CR986	6-1/4"	2-3/8"
SP-CR987	6-3/8"	2-3/8"
SP-CR988	6-1/2"	2-3/8"
SP-CR989	6-5/8"	2-3/8"
SP-CR990	6-3/4"	2-3/8"
SP-CR991	6-7/8"	2-3/8"
SP-CR992	7"	2-3/8"
SP-CR993	7-1/8"	2-3/8"
SP-CR994	7-1/4"	2-3/8"
SP-CR995	7-3/8"	2-3/8"
SP-CR996	7-1/2"	2-3/8"
SP-CR997	7-5/8"	3-3/8"
SP-CR998	7-3/4"	3-3/8"
SP-CR999	7-7/8"	3-3/8"
SP-CR1000	8"	3-3/8"
SP-CR1001	8-1/8"	3-3/8"
SP-CR1002	8-1/4"	3-3/8"
SP-CR1003	8-3/8"	3-3/8"
SP-CR1004	8-1/2"	3-3/8"
SP-CR1005	8-5/8"	3-3/8"
SP-CR1006	8-3/4"	3-3/8"
SP-CR1007	8-7/8"	3-3/8"
SP-CR1008	9"	3-3/8"



SCR4590 Special Double-Lipped Strike & Rescue Stop Combo 1/8" Inset for Cylindrical Latch

The sizing chart on the right lists custom layout numbers for all frame sizes from 5-1/4" to 9" for:

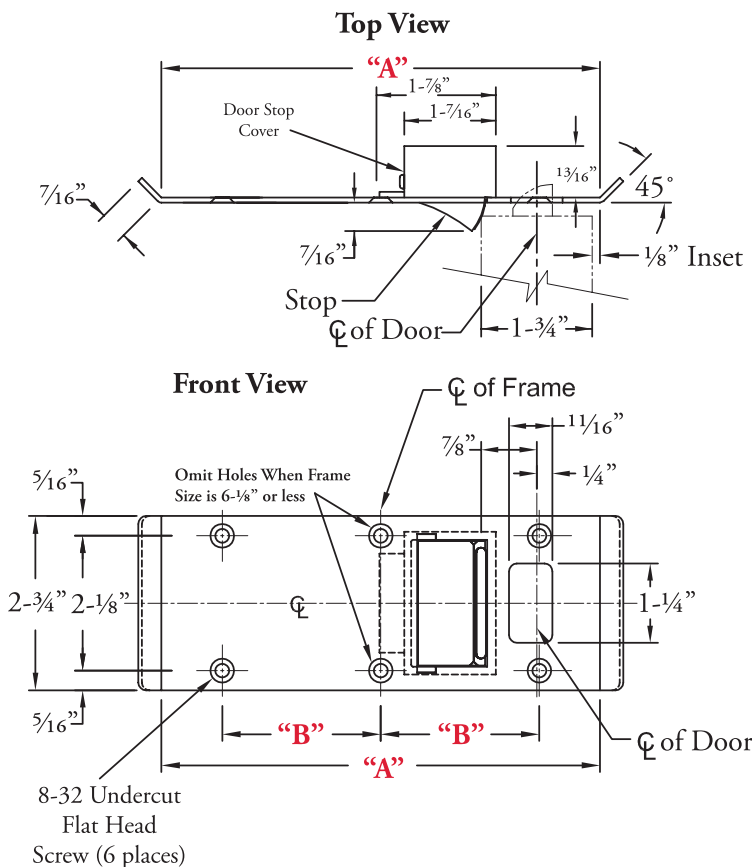
- 1/8" inset door
- Cylindrical latch application

ABH has the capability to custom manufacture thousands of different custom double-lipped strike and rescue stop combos to fit nearly every application.

Please contact us if you need to match existing preps or if additional customizations are required and we will gladly assist.

How to Order			
Example SCR4590 x US32D x SP-CR1040			
Part Number	Finish	Custom Layout Number	Quantity
SCR4590			
SCR4590			

Custom Layout Number	Frame Size	Center to Center Mounting Holes
	"A"	"B"
SP-CR1040	5-1/4"	2-3/8"
SP-CR1041	5-3/8"	2-3/8"
SP-CR1042	5-1/2"	2-3/8"
SP-CR1043	5-5/8"	2-3/8"
CR4594	5-3/4"	2-3/8"
SP-CR1044	5-7/8"	2-3/8"
SP-CR1045	6"	2-3/8"
SP-CR1046	6-1/8"	2-3/8"
SP-CR1047	6-1/4"	2-3/8"
SP-CR1048	6-3/8"	2-3/8"
SP-CR1049	6-1/2"	2-3/8"
SP-CR1050	6-5/8"	2-3/8"
CR4593	6-3/4"	2-3/8"
SP-CR1051	6-7/8"	2-3/8"
SP-CR1052	7"	2-3/8"
SP-CR1053	7-1/8"	2-3/8"
SP-CR1054	7-1/4"	2-3/8"
SP-CR1055	7-3/8"	2-3/8"
SP-CR1056	7-1/2"	2-3/8"
SP-CR1057	7-5/8"	3-3/8"
SP-CR1058	7-3/4"	3-3/8"
SP-CR1059	7-7/8"	3-3/8"
SP-CR1060	8"	3-3/8"
SP-CR1061	8-1/8"	3-3/8"
SP-CR1062	8-1/4"	3-3/8"
SP-CR1063	8-3/8"	3-3/8"
SP-CR1064	8-1/2"	3-3/8"
SP-CR1065	8-5/8"	3-3/8"
SP-CR1066	8-3/4"	3-3/8"
SP-CR1067	8-7/8"	3-3/8"
SP-CR1068	9"	3-3/8"



SCRM4590

Special Double-Lipped Strike & Rescue Stop Combo 1/8" Inset for Mortise Lock (No Dead Bolt)

The sizing chart on the right lists custom layout numbers for all frame sizes from 5-1/4" to 9" for:

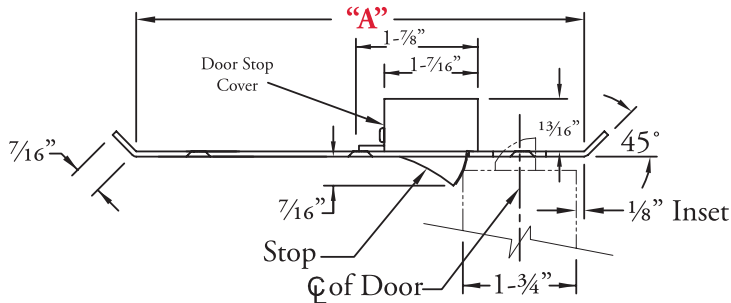
- 1/8" inset door
- Mortise lock application (no dead bolt)

ABH has the capability to custom manufacture thousands of different custom double-lipped strike and rescue stop combos to fit nearly every application.

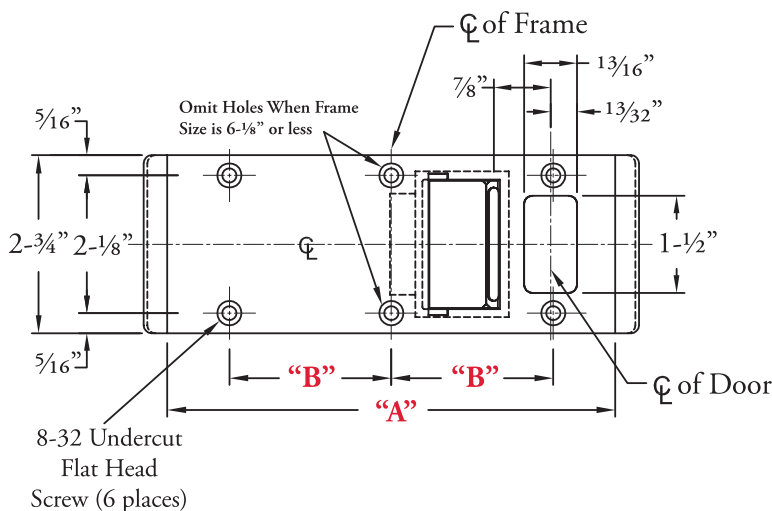
Please contact us if you need to match existing preps or if additional customizations are required and we will gladly assist.

How to Order			
Example SCRM4590 x US32D x SP-CR1100			
Part Number	Finish	Custom Layout Number	Quantity
SCRM4590			
SCRM4590			

Top View



Front View



Custom Layout Number	Frame Size	Center to Center Mounting Holes
	"A"	"B"
SP-CR1100	5-1/4"	2-3/8"
SP-CR1101	5-3/8"	2-3/8"
SP-CR1102	5-1/2"	2-3/8"
SP-CR1103	5-5/8"	2-3/8"
SP-CR1104	5-3/4"	2-3/8"
SP-CR1105	5-7/8"	2-3/8"
SP-CR1106	6"	2-3/8"
SP-CR1107	6-1/8"	2-3/8"
SP-CR1108	6-1/4"	2-3/8"
SP-CR1109	6-3/8"	2-3/8"
SP-CR1110	6-1/2"	2-3/8"
SP-CR1111	6-5/8"	2-3/8"
SP-CR1112	6-3/4"	2-3/8"
SP-CR1113	6-7/8"	2-3/8"
SP-CR1114	7"	2-3/8"
SP-CR1115	7-1/8"	2-3/8"
SP-CR1116	7-1/4"	2-3/8"
SP-CR1117	7-3/8"	2-3/8"
SP-CR1118	7-1/2"	2-3/8"
SP-CR1119	7-5/8"	3-3/8"
SP-CR1120	7-3/4"	3-3/8"
SP-CR1121	7-7/8"	3-3/8"
SP-CR1122	8"	3-3/8"
SP-CR1123	8-1/8"	3-3/8"
SP-CR1124	8-1/4"	3-3/8"
SP-CR1125	8-3/8"	3-3/8"
SP-CR1126	8-1/2"	3-3/8"
SP-CR1127	8-5/8"	3-3/8"
SP-CR1128	8-3/4"	3-3/8"
SP-CR1129	8-7/8"	3-3/8"
SP-CR1130	9"	3-3/8"



SCRM4590

Special Double-Lipped Strike & Rescue Stop Combo 1/8" Inset for Mortise Lock (With Dead Bolt)

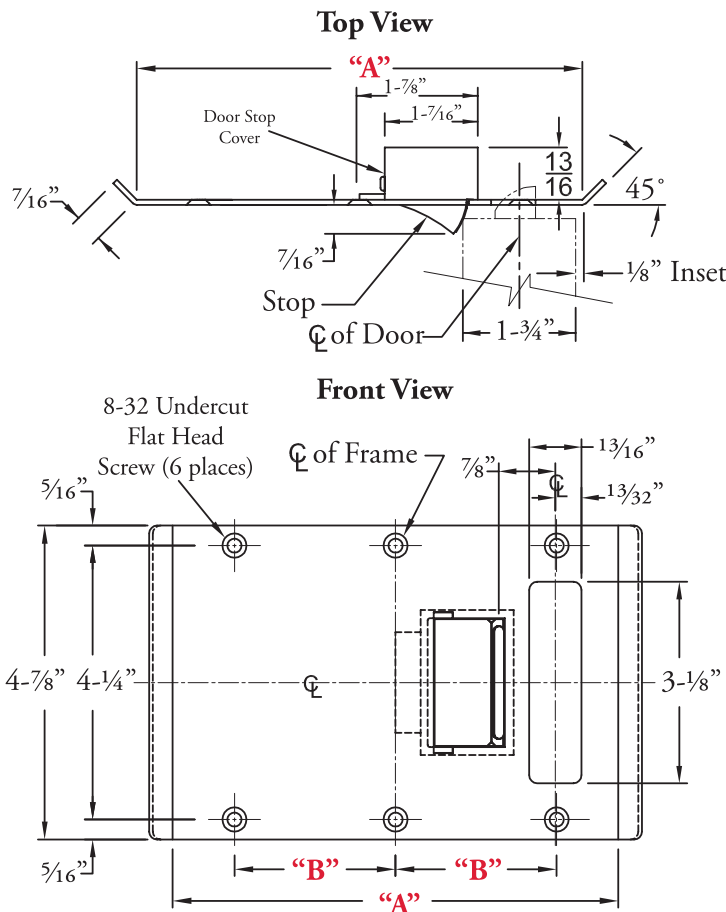
The sizing chart on the right lists custom layout numbers for all frame sizes from 5-1/4" to 9" for:

- 1/8" inset
- Mortise lock application (no dead bolt)

ABH has the capability to custom manufacture thousands of different custom double-lipped strike, and rescue stop combos to fit nearly every application.

Please contact us if you need to match existing preps or if additional customizations are required and we will gladly assist.

How to Order			
Example SCRM4590 x US32D x SP-CR1162			
Part Number	Finish	Custom Layout Number	Quantity
SCRM4590			
SCRM4590			



Custom Layout Number	Frame Size	Center to Center Mounting Holes
	"A"	"B"
SP-CR1162	5-1/4"	2-3/8"
SP-CR1163	5-3/8"	2-3/8"
SP-CR1164	5-1/2"	2-3/8"
SP-CR1165	5-5/8"	2-3/8"
SP-CR1166	5-3/4"	2-3/8"
SP-CR1167	5-7/8"	2-3/8"
SP-CR1168	6"	2-3/8"
SP-CR1169	6-1/8"	2-3/8"
SP-CR1170	6-1/4"	2-3/8"
SP-CR1171	6-3/8"	2-3/8"
SP-CR1172	6-1/2"	2-3/8"
SP-CR1173	6-5/8"	2-3/8"
SP-CR1174	6-3/4"	2-3/8"
SP-CR1175	6-7/8"	2-3/8"
SP-CR1176	7"	2-3/8"
SP-CR1177	7-1/8"	2-3/8"
SP-CR1178	7-1/4"	2-3/8"
SP-CR1179	7-3/8"	2-3/8"
SP-CR1180	7-1/2"	2-3/8"
SP-CR1181	7-5/8"	3-3/8"
SP-CR1182	7-3/4"	3-3/8"
SP-CR1183	7-7/8"	3-3/8"
SP-CR1184	8"	3-3/8"
SP-CR1185	8-1/8"	3-3/8"
SP-CR1186	8-1/4"	3-3/8"
SP-CR1187	8-3/8"	3-3/8"
SP-CR1188	8-1/2"	3-3/8"
SP-CR1189	8-5/8"	3-3/8"
SP-CR1190	8-3/4"	3-3/8"
SP-CR1191	8-7/8"	3-3/8"
SP-CR1192	9"	3-3/8"



Rescue Stop & Center Hung Pivot Set Combos

Combine an ABH center hung pivot set with a double-lipped strike and rescue stop combo as a complete package.

Available in US32D, US32, US10B, US10, US3 and US4 finishes – Contact factory for custom finish.

1. Choose from one of the following pivot sets:

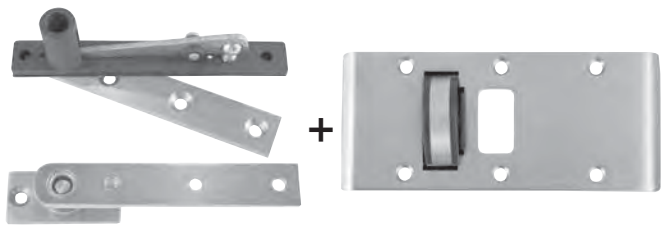
- 0127 – Center Hung Pivot Set, Medium Duty, Side Jamb Mount
- 0128 – Center Hung Pivot Set, Medium Duty, Floor Mount

2. Choose from one of the following double-lipped strike and rescue stop combos:

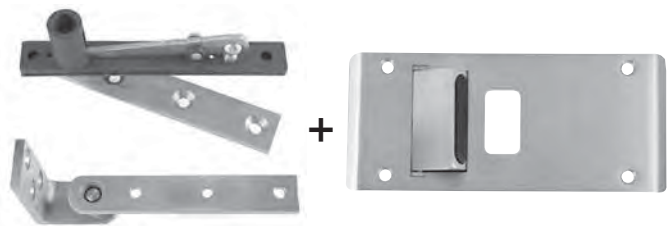
Half-Moon Style			
Rescue Stop & Strike Combo	Frame Size	Latch Type	Door Inset
CR4550	5-¾"	Cylindrical	Center Hung
CR4560	6-¾"	Cylindrical	Center Hung
CR4570	5-¾"	Cylindrical	½" Inset
CR4580	6-¾"	Cylindrical	½" Inset

Flipper Style			
Rescue Stop & Strike Combo	Frame Size	Latch Type	Door Inset
CR4591	5-¾"	Cylindrical	Center Hung
CR4592	6-¾"	Cylindrical	Center Hung
CR4594	5-¾"	Cylindrical	½" Inset
CR4593	6-¾"	Cylindrical	½" Inset

Model Number	=	Center Hung Pivot Set	+	Rescue Stop & Strike Combo
012750	=	0127	+	CR4550
012760	=	0127	+	CR4560
012770	=	0127	+	CR4570
012780	=	0127	+	CR4580
012850	=	0128	+	CR4550
012860	=	0128	+	CR4560
012870	=	0128	+	CR4570
012880	=	0128	+	CR4580
012791	=	0127	+	CR4591
012792	=	0127	+	CR4592
012793	=	0127	+	CR4593
012794	=	0127	+	CR4594
012891	=	0128	+	CR4591
012892	=	0128	+	CR4592
012893	=	0128	+	CR4593
012894	=	0128	+	CR4594



012850 - Rescue Stop & Pivot Set Combos



012792 - Rescue Stop & Pivot Set Combos





Manufacturing, Inc.



- Overhead Holders & Stops
- Hospital Push/Pull Latches
- Electro-Magnetic Door Holders
- Electrical Power Transfer Products
- Aluminum Continuous Geared Hinges
- Stainless Steel Continuous Pin & Barrel Hinges
- Stainless Steel Edge Guards
- Pivots & Pivot Sets
- Rescue Hardware
- Slide Bolts, Surface Bolts & Miscellaneous Products

Coordinators, Flush Bolts & Roller Latches

Coordinators - Cross Reference Chart							
ABH*	Rockwood*	Ives*	DCI*	Hager*	Trimco*	Don Jo*	Cal Royal*
3711	-	COR32 FL20	N-652	-	3094A2	2011	-
3712	2660	COR32 FL32	-	-	3094B1	2012	-
3721	2672	COR52 FL20	672	297D	3094B2	2021	DORCO-1 FB1858
3722	2684	COR52 FL32	684	297D	3094B3	2022	DORCO-1 FB3258
3723	2696	COR52 FL44	696	297D	3094B4	2023	-
3733	-	COR60 FL44	L-6104	-	3094C4	2033	-
3741	NX2654	COR42 FL20	NX-654	-	-	-	-
3751	2601AB	MB-1	601AB	297M	3095	2051	MB4750
3752	2601C	MB-2	601C	297N	3096	2050	MB4250
3760	1100	CB1	CB	297C	3090	2060	CBO-1
3780	1700	-	-	-	3092	2040	-
3790	576	COR7G	500	298D	3093	2080	FRGC065

Flush Bolts - Cross Reference Chart							
ABH*	Rockwood*	Ives*	DCI*	Hager*	Trimco*	Don Jo*	Cal Royal*
1855S	555	FB458	780F	282D	3917	1555	-
1857S	557	FB358	790F	283D	3913	1557	-
1860P	2842	FB31P	842	292D	3810	1560	AUTOFLM1
1862P	2942	FB41P	942	291D	3815	1562	AUTOFLW22
1870	570	DP2	80	280X	3910	1570	-
1872	-	DP1	81	-	3910N	1572	-

Roller Latches - Cross Reference Chart							
ABH*	Rockwood*	Ives*	DCI*	Hager*	Trimco*	Don Jo*	Cal Royal*
1890	590	RL30	4030A	1442	1559A	1700	ARL1338
1890S	590DA	-	-	-	-	-	-
1891	591	RL30A	4030C	1443	1559C	1704	-
1892	592	-	4030B	318D	1559B	1702	ARL1338 x STRK62
1893	593	RL1152	4040	318S	1559BL	-	-
1894	-	-	-	-	-	-	-
1895	594	RL32	-	320R	1554B	1710	ARCT3350
1896	-	RL32A	-	-	1554C	-	-
1897	-	-	-	-	1554A	-	-
1898	-	-	-	-	-	-	-

*Brand names are trademarks or registered trademarks of their respective companies.

Table of Contents

Coordinators

3700 Series - Full Length with Filler Bar	
3711	K-2
3712	K-2
3721	K-2
3722	K-2
3723	K-2
3733	K-2
3741	K-2
3751 & 3752 - Mounting Brackets	K-2
3760 - Carry Bar	K-3
3780 - Universal Coordinator	K-3
3790 - Gravity Coordinator	K-3

Flush Bolts

1860P - Metal Door - Automatic	K-4
1862P - Wood Door - Automatic	K-4
1855S - Metal Door - Manual	K-5
1857S - Wood Door - Manual	K-5
1870 - Dust Proof Strike - Rectangular	K-6
1872 - Dust Proof Strike - Round	K-6

Roller Latches

1890 - $\frac{5}{16}$ " Projection & Cast Strike	K-7
1891 - $\frac{5}{16}$ " Projection & ASA Strike	K-7
1892 - $\frac{5}{16}$ " Projection & T Strike	K-7
1893 - Integrated Angle Stop & Cast Strike	K-7
1894 - $\frac{5}{16}$ " Projection & Extended Cast Strike	K-7
1895 - $\frac{1}{2}$ " Projection & T Strike	K-8
1896 - $\frac{1}{2}$ " Projection & ASA Strike	K-8
1897 - $\frac{1}{2}$ " Projection & Cast Strike	K-8
1898 - $\frac{1}{2}$ " Projection & Extended Cast Strike	K-8



Coordinators, Flush Bolts and Roller Latches



Innovation, Quality,
Customer Service...

Door Coordinators

3700 Series - Full Bar Coordinator with Filler Bar

- For use on pair of doors when one door must close before the other
- Active door lever holds the active door open until the inactive door closes enough to trip the release mechanism
- Safety override allows active door to close first when extreme force is applied
- Supplied with a filler bar to provide a virtually seamless look across the entire soffit
- Mounting brackets available when using stop mounted hardware (3751 and 3752)
- Standard finish = US28 Satin Aluminum (ready to paint) - Contact factory for custom finish
- UL Listed for use with a pair of swinging fire doors incorporating an astragal for up to and including 3 hours

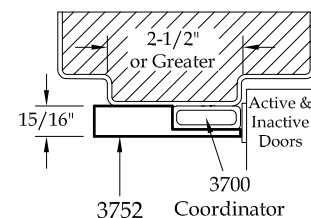
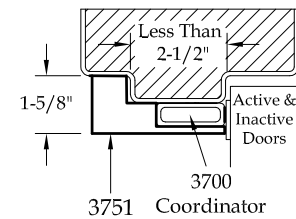
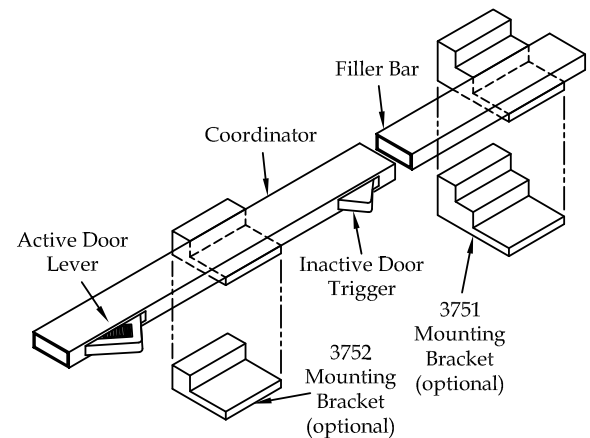
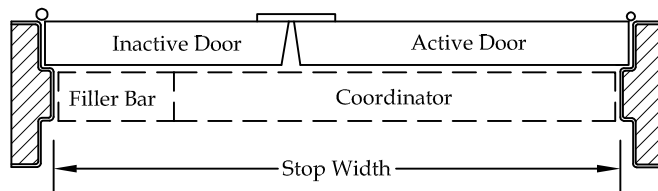
3700 Series Sizing Chart			
Model	Door Frame Opening (Equal Pair)	Coordinator (included)	Filler Bar (included)
3711	52" or Less	32"	20"
3712	52-1/16" - 56"	32"	32"
3721	56-1/16" - 72"	52"	20"
3722	72-1/16" - 84"	52"	32"
3723	84-1/16" - 96"	52"	44"
3733	96-1/16" - 104"	60"	44"
3741	Unequal Pair 36" Active and 12" - 24" Inactive	42"	20"

How to Choose the Right Model

See chart above on right to determine which model you need.

You may also use the following to guide you in selecting the correct model for your application.

- Coordinator size = Active door size + 6" minimum
- Filler bar size = Stop width - Coordinator Size (select the next standard filler bar size up - 20", 32" or 44")



3751 & 3752 - Mounting Brackets

- 3751 - stop widths less than 2-1/2"
- 3752 - stop widths 2-1/2" or greater
- Allows stop mounted hardware to be properly installed without drilling into and possibly damaging the coordinator
- Order one bracket for each piece of hardware to be stop mounted
- Mounting brackets are then drilled and tapped in the field to install the stop mounted hardware
- Standard finish = US28 Satin Aluminum (ready to paint) - Contact factory for custom finish

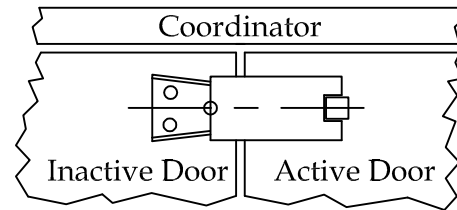
Architectural Builders Hardware Manufacturing, Inc.
1222 Ardmore Avenue, Itasca, IL 60143
Tel: 630-875-9900 • Fax: 630-875-9918 / 800-932-9224
Web: www.abhmfg.com • Email: abhinfo@abhmfg.com



Door Coordinators

3760 - Carry Bar

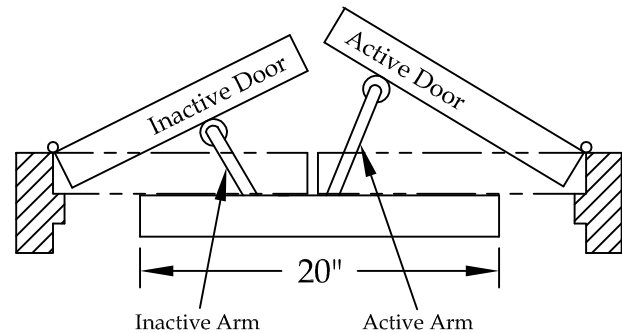
- Used to prevent damage on doors and other hardware when inactive door can be opened before active door
- For use with 3700 Full Bar Coordinator or 3790 Gravity Coordinator
- Mounts on inactive door
- Not required when using flush bolts
- Standard finish = USP - Primed, black matte. Contact factory for custom finishes



3760

3780 - Universal Coordinator

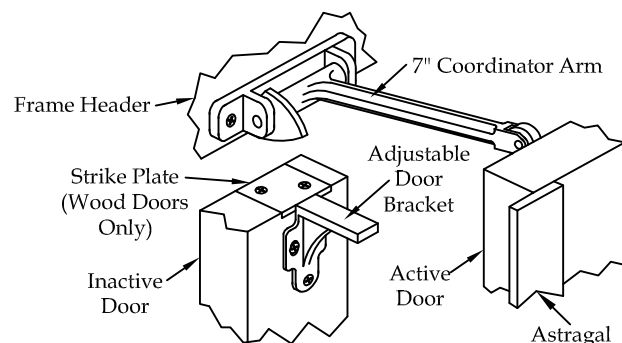
- For pair of doors up to 8' wide
- The long arm holds the active door open until the short arm is depressed by the inactive door
- Stop mounted - mounting brackets not required
- Standard finish = USP - Primed, black matte. Contact factory for custom finishes
- Meets or exceeds ANSI 156.3, Type 21 requirements (when used with carry bar)
- Mounting brackets not required when using stop mounted hardware
- UL Listed for use with a pair of swinging fire doors incorporating an astragal for up to and including 3 hours
- Not for use with exposed vertical rod panic devices
- US Patent No. 6,250,014



3780

3790 - Gravity Coordinator

- Roller arm stops active door from closing before inactive door
- Active door up to and including 4'0" wide
- Inactive door up to and including 3'4" wide
- Both doors over 2'10" wide
- Closing of inactive door causes the strike plate on top of the door to lift the arm and close the active door. As inactive door closes, the nylon roller lifts the coordinator arm.
- Gravity arm and door bracket are field-adjustable for installation ease
- UL Listed for use with a pair of swinging fire doors incorporating an astragal for up to and including 3 hours
- Standard finish = US32D - satin stainless steel. Contact factory for custom finishes



3790



Coordinators, Flush Bolts and Roller Latches



Innovation, Quality,
Customer Service...

Automatic Flush Bolts

When the active door is closed, the bolt automatically projects to lock the inactive door. When the active door opens, the bolt automatically retracts to unlock inactive door

1860P - Automatic Flush Bolts for Metal Door (Pair)

- UL Listed for use on metal fire doors up to 4'0" x 8'0" for up to and including 3 hours
- 3/4" throw with 2" vertical adjustment. Adjustment can be made without removing door from frame
- Standard rod length = 12"
- If strike and bolt are misaligned, override prevents damage to door, frame and flush bolt
- Meets or exceeds ANSI 156.3 Type 25
- Standard finish = US32D, US10, US10B, US3, US32 and US4. Contact factory for custom finishes
- Standard weight = 2-1/2 lbs.

Options

- "SEC" - Security fasteners
- If a single flush bolt is required, order 1860S
- Custom rod lengths available - Specify length (increments of 6")



1860P
(Single Flush Bolt Shown)

1862P - Automatic Flush Bolts for Wood Door (Pair)

- UL Listed for use on wood or plastic covered composite type fire doors up to 4'0" x 8'0" for up to and including 90 minutes
- 3/4" throw with 3/4" vertical adjustment. Adjustment can be made without removing door from frame
- If strike and bolt are misaligned, override prevents damage to door, frame and flush bolt
- Meets or exceeds ANSI 156.3 Type 25
- Standard finish = US32D, US10, US10B, US3, US32 and US4. Contact factory for custom finishes.
- Standard weight = 3 lbs.

Options

- "SEC" - Security fasteners
- If a single flush bolt is required, order 1862S



1862P
(Single Flush Bolt Shown)



Manual Flush Bolts

Used to lock and unlock an inactive door when the active door is open. Installed on the lock edge of the inactive door, moving the lock lever up locks it and moving the lever down unlocks it.

1855S – Manual Flush Bolt for Metal Door (Single)

- UL Listed for use on metal fire doors up to 4'0" x 8'0" for up to and including 3 hours
- ¾" throw with ¾" rod backset
- Standard rod length is 12"
- 1-½" adjustable bolt head
- Meets or exceeds BHMA L14251, ANSI 156.16
- Standard finishes = US26D, US10, US10B, US3, US26 and US4. Contact factory for custom finishes
- Standard weight = 1 lb.



1855S

Options

- "SEC" – Security fasteners
- If a pair of flush bolts are required, order 1855P
- Custom rod lengths available - Specify length (increments of 6")

1857S – Manual Flush Bolt for Wood Door (Single)

- UL Listed for use on wood or plastic covered composite type fire doors up to 4'0" x 8'0" for up to and including 90 minutes
- Supplied with a corner reinforcement plate to maintain door strength
- ¾" throw with ¾" rod backset
- Meets or exceeds BHMA L04261, ANSI 156.16
- Standard finishes = US26D, US10, US10B, US3, US26 and US4. Contact factory for custom finishes
- Standard weight = 1 lb.



1857S

Options

- "SEC" – Security fasteners
- If a pair of flush bolts are required, order 1857P



Coordinators, Flush Bolts and Roller Latches



Innovation, Quality,
Customer Service...

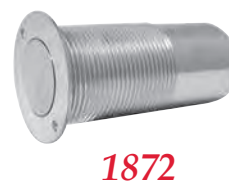
Dust Proof Strikes

- Designed for use with all bottom mounted ABH® manual and automatic flush bolts.
- Adjustable height for use with carpets
- Spring-loaded plunger depressed when flush bolt is thrown and returns automatically when flush bolt is retracted
- Eliminates need to clean standard floor strikes
- 3/4" diameter strike hole
- Meets or exceeds ANSI A156.16, L04021
- Standard finishes = US26D, US10, US10B, US3, US4 and US26. Contact factory for custom finishes

1870 - Rectangular for Use on Floor or with Threshold



1872 - Round for Use with Threshold



Roller Latches

ABH[®] roller latches have an easily adjustable roller projection that provides proper contact between the roller and the strike. The solid nylon roller provides a durable and quiet operation.

Meets or exceeds ANSI A156.16

Standard finishes available – US32D, US32*, US10*, US10B*, US3* and US4*

*Roller latch faceplate is always provided in US32D (except 1893). Only the strikes will be provided in the finish ordered.

1890

- Full lip Cast Strike
- 5/16" adjustable roller latch projection
- Projection is easily adjustable after installation
- Screw Detail
 - Body: (2) #10 x 3/4" Phillips flat head sheet metal screws
 - Strike: (2) #8 x 3/4" Phillips flat head sheet metal screws



1890

1891

- ASA Strike
- 5/16" adjustable roller latch projection
- Projection is easily adjustable after installation
- Screw Detail
 - Body: (2) #10 x 3/4" Phillips flat head sheet metal screws
 - Strike: (2) 12-24 x 3/8" Phillips flat head, undercut machine screws



1891

1892

- T Strike
- 5/16" adjustable roller latch projection
- Projection is easily adjustable after installation
- Screw Detail
 - Body: (2) #10 x 3/4" Phillips flat head sheet metal screws
 - Strike: (2) #8 x 3/4" Phillips flat head sheet metal screws



1892

1893

- Integrated angle stop for stopless frames
- 5/16" adjustable roller latch projection
- Mounts in the header or side jamb with the strike on the door
- Cast Strike
- Screw Detail
 - Body: (2) #10 x 3/4" Phillips flat head sheet metal screws
 - Strike: (2) #8 x 3/4" Phillips flat head sheet metal screws



1893

1894

- Extended Full Lip Cast Strike
- 5/16" adjustable roller latch projection
- Projection is easily adjustable after installation
- Screw Detail
 - Body: (2) #10 x 3/4" Phillips flat head sheet metal screws
 - Strike: (2) #8 x 3/4" Phillips flat head sheet metal screws



1894



Roller Latches

1895

- T Strike
- 1/2" adjustable roller latch projection
- Screw Detail
 - Body: (2) #8 x 3/4" Phillips flat head sheet metal screws
 - Strike: (2) #8 x 3/4" Phillips flat head sheet metal screws



1895

1896

- ASA Strike
- 1/2" adjustable roller latch projection
- Screw Detail
 - Body: (2) #8 x 3/4" Phillips flat head sheet metal screws
 - Strike: (2) 12-24 x 3/8" Phillips flat head, undercut machine screws



1896

1897

- Full Lip Cast Strike
- 1/2" adjustable roller latch projection
- Screw Detail
 - Body: (2) #8 x 3/4" Phillips flat head sheet metal screws
 - Strike: (2) #8 x 3/4" Phillips flat head sheet metal screws



1897

1898

- Extended Full Lip Cast Strike
- 1/2" adjustable roller latch projection
- Screw Detail
 - Body: (2) #8 x 3/4" Phillips flat head sheet metal screws
 - Strike: (2) #8 x 3/4" Phillips flat head sheet metal screws



1898





Overhead Holders



Hospital Latches



Mag Holders



Pivots



Aluminum Continuous Hinges



Stainless Steel Hinges



Power Transfer



Edge Guards



Rescue Hardware

ARCHITECTURAL BUILDERS HARDWARE MANUFACTURING, INC.

1222 Ardmore Ave.
Itasca, IL 60143

P: (630) 875-9900
F: (800) 932-9224
E: abhinfo@abhmfg.com

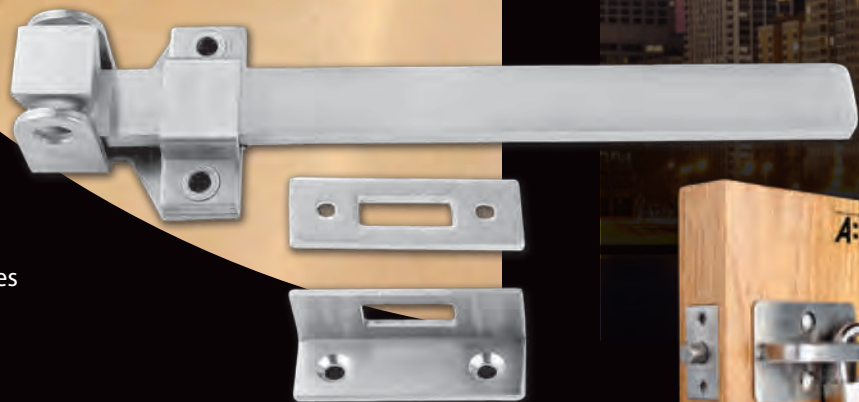
ABH[®]
www.abhmfg.com



Manufacturing, Inc.



- Overhead Holders & Stops
- Hospital Push/Pull Latches
- Electro-Magnetic Door Holders
- Electrical Power Transfer Products
- Aluminum Continuous Geared Hinges
- Stainless Steel Continuous Pin & Barrel Hinges
- Stainless Steel Edge Guards
- Pivots & Pivot Sets
- Rescue Hardware
- Coordinators, Flush Bolts & Roller Latches



Slide Bolts, Surface Bolts & Miscellaneous Products

Surface Bolts Cross Reference Chart

ABH*	Rockwood*	Ives*	DCI*	Hager*	Trimco*	Don Jo*	Cal Royal*
N1815	580-8	SB453-8	1008F	275D	3922	1580	ESBUL50
N1815L	582-8	SBO454-8	1008P	-	3922L	1582	-
N1825	580-12	SB453-12	1012F	276D	3923	1581	ESBUL12
N1825L	582-12	SBO454-12	1012P	-	-	-	-
HD1825	585-12	SB360	-	-	-	-	-
HD1835	585-24	-	-	-	-	-	-

Door Stops Cross Reference Chart

ABH*	Rockwood*	Ives*	Hager*	Trimco*	Don Jo*
1801	-	AS18	-	-	1420
1802	-	-	-	-	-
1803	466	FS18S	269F	1209	1462
H1803	-	-	-	-	-
EHD1803	465	FS18L	269T	-	1463
1803HO	464	-	-	-	-
1804	-	-	-	-	-

*Brand names are trademarks or registered trademarks of their respective companies.

Slide Bolt Padlock Latch

Standard Features

- Ideal for lockers and temporary locking situations
- Used in numerous military base BEQs nationwide
- Stainless steel assembly
- Non-handed, reversible
- Built-in fail safe on inside ensures the ability to exit even with padlock locked
- Specify T-strike or ASA strike when ordering
- Accommodates up to $\frac{3}{8}$ " diameter padlock (not provided)
- **Patent pending**

Models Available

- **1884A** - 2- $\frac{3}{4}$ " backset & ASA Strike (161 Prep)
- **1884** - 2- $\frac{3}{4}$ " backset & T-Strike (161 Prep)
- **1888A** - 2- $\frac{3}{8}$ " backset & ASA Strike (160 Prep)
- **1888** - 2- $\frac{3}{8}$ " backset & T-Strike (160 Prep)

Options

- **"LO"** - Lock-out option provides an additional hole for a second padlock



Shown as Locked



Shown as Unlocked



Shown with "LO" Option



T-Strike

ASA Strike



Surface Bolts

N1805 Series

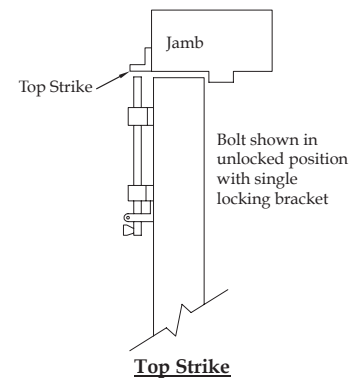
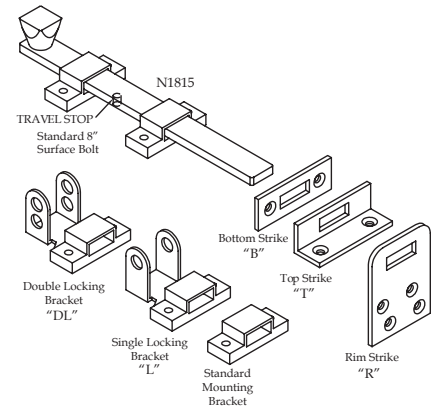
- All stainless steel components – US32D finish
- 1" throw
- Select the correct strike for your application – see drawings on right for reference
 - **B** – Bottom Strike
 - **T** – Top Strike
 - **R** – Rim Strike

Models

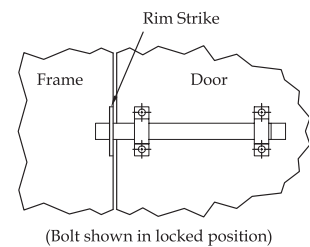
- **N1815** – 8" long bar, 3/16" thick x 3/4" wide
- **N1825** – 12" long bar, 3/16" thick x 3/4" wide

Options

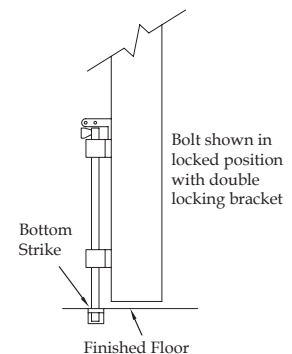
- **L** – Single locking bracket – allows for one 3/8" diameter padlock to lock the surface bolt (padlock not included)
- **DL** – Double locking bracket – allows for two 3/8" diameter padlocks to lock the surface bolt (padlocks not included)
- Custom lengths available – contact factory
- **SEC** – Security fasteners
- **SNB** – Sex bolts



Top Strike



Rim Strike



Bottom Strike

HD1805 Series

- All stainless steel components – US32D finish
- 1" throw
- Comes with top and bottom strike
- Sex bolts provided standard

Models

- **HD1825** – 12" long bar, 3/4" thick x 3/4" wide
- **HD1835** – 24" long bar, 3/4" thick x 3/4" wide

Options

- Custom lengths available – contact factory
- **SEC** – Security fasteners



1801 Applied Stop

- For use on single or double doors without a stop
- Mounts on the frame
- Stainless steel base material
- Standard finishes: US32D, US32, US3, US4, US10 and US10B



1802 Door Silencer

- For metal doors
- ¼" projection
- Grey color only
- Only sold in quantities of 100
 - Part number 1802 = one bag of (100) silencers



1803 Floor Stops

- For use in high abuse areas
- Ideal for correctional facilities, schools and institutions
- Installed in quick set cement



1803

Bumper = 2" D x 1-3/8" H
Rod = 3/8" D x 3" H



1803HO

Supplied with
stainless steel
door portion and hook



H1803

Bumper = 4" D x 1-3/8" H
Rod = 3/8" D x 3" H



EHD1803

Bumper = 3-1/4" D x 2" H
Rod = 3/8" D x 3" H

1804 Pipe Stop & Holder

- All stainless steel components with rubber bumper
- Rubber bumper on door portion hits the pipe when used as a stop
- Door can be held open to floor portion with stainless steel hook
- Floor portion installed in quick set cement



Vertical Rod Protector & Latch Bolt Cover

Standard Features

- Assist in handicap conformance
- Use in hospitals and schools, etc.
- 18 Ga. 304 Stainless Steel
- US32D is standard finish - Contact factory for other finishes
- Installs with #6 x 3/4" screws directly into the door
- Install on any type of metal, plastic, or wood door regardless of thickness
- Vertical rod cover
 - 3-1/8" wide x 24", 36" or 48" high
 - Special lengths available
 - 1-1/16" projection from door
- Latch bolt cover
 - 7" wide x 10" high
 - 2-1/8" projection from door

How to Order

- **1811** - (2) 24" Vertical Rod Covers,
(1) RH & (1) LH Latch Bolt Cover
- **1811-36** - (2) 36" Vertical Rod Covers,
(1) RH & (1) LH Latch Bolt Cover
- **1811-48** - (2) 48" Vertical Rod Covers,
(1) RH & (1) LH Latch Bolt Cover
- **1812** - (1) 24" Vertical Rod Cover &
(1) RH Latch Bolt Cover
- **1813** - (1) 24" Vertical Rod Cover &
(1) LH Latch Bolt Cover

- **1812-1-24** - 24" Vertical Rod Protector
- **1812-1-36** - 36" Vertical Rod Protector
- **1812-1-48** - 48" Vertical Rod Protector

- **1812-2** - RH Latch Bolt Cover
- **1812-3** - LH Latch Bolt Cover

Options

- **SEC** - Security fasteners
- Special height vertical rod covers - specify desired length (48" max)



1811 (pair of doors)

