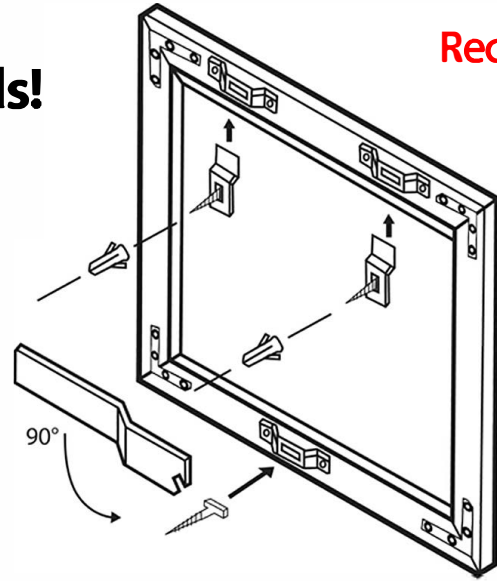


Whenever Possible Install Into Studs!

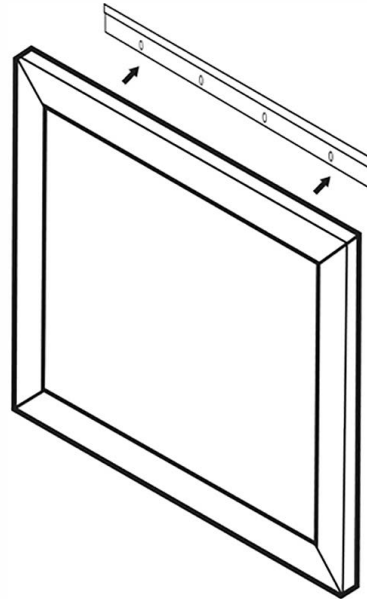
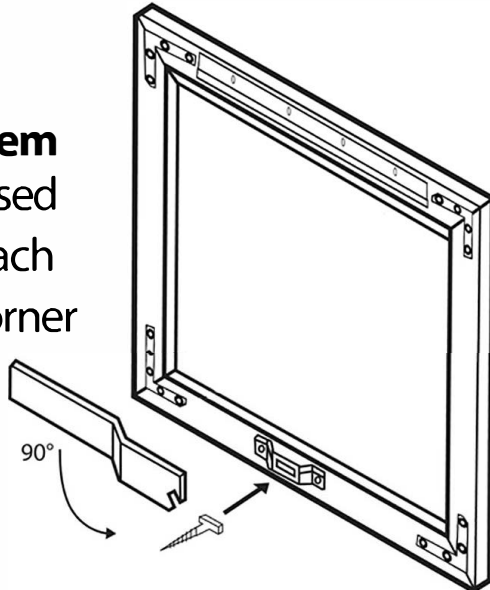
Standard Hanging Systems: Supplied with every Classic Frame. Attach hanging hardware security "T" bolt; and all hanging hardware.



Recommended Width

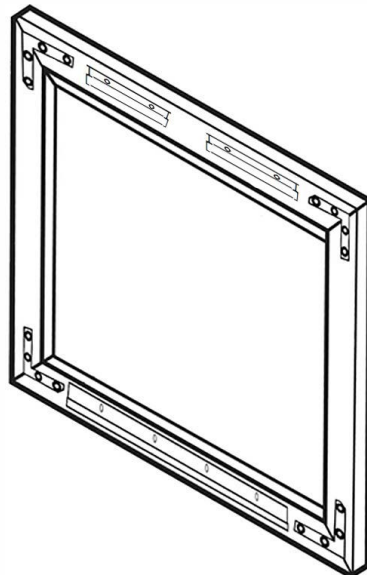
Up to 50"

Hang bar system option: Purchased separately. Attach hang bar, all corner brackets.

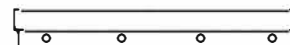


50" & over

Heavy Framed Mirror option: Hang bars purchased separately. Attach hang bars and all corner brackets.



Wall Configuration



70" & over