



Thresholds

Weatherstrip

Door Seal

FIRE RATED PARTS



20 Minute Fire Rating:

INSERT SILL / THRESHOLD:

542

WATER-RETURN THRESHOLDS:

341

ADJUSTABLE THRESHOLDS:

827 847 857 877 927 947 957 977

OUT-SWING BUMPER THRESHOLDS:

415 417



90 Minute Fire Rating:

DOOR BOTTOMS:

151 201 205 221 223 251 257 261 281

COMBINATION SILL-THRESHOLDS:

566 569 585 586
650 651 680 681 775 776

SILL COVERS:

3104 3109 3116

RESIDENTIAL THRESHOLDS:

300 332 3007 3008 3017

OUT-SWING BUMPER THRESHOLDS:

428 470 471 472 1522 1523

COMMERCIAL SADDLE THRESHOLDS:

1503 1504 1505 1506 1507 1509 1512 1514 1515 1516 1517
1518 1520 1525 1529 1539 1544 1545 1546 1547 1548 1564

JAMB WEATHERSTRIPS:

1000 3212

ADHESIVE-BACKED DOOR SEALS:

1430 1830

Dear Valued Customer,

COMBO ALUMINUM PRODUCTS was founded in El Cajon, California in 1959 by Mr. Wally Miller, then known as the W.W. Miller Company. Mr. Miller designed and patented the original Combo Sill, from which we get our name today.

Over the past sixty-three years numerous things have changed, but our core values have always stayed the same; we recognize the importance of producing a quality product, coupled with providing excellent customer service. As we look to the future, Combo will continue to develop new and innovative products to support not only our current customers but our growing and advancing markets.

Above all, Combo Aluminum thanks you, our customer, for trusting us to be a key and vital role in your success.

Sincerely,



Roy Tovar
President

MATERIALS

ALUMINUM PRODUCTS are manufactured from 6063-T5 extruded aluminum. Aluminum finishes are listed under "Ordering Information" on page 2.

STEEL PRODUCTS are manufactured from cold-rolled low carbon steel and painted in a primer coat.

SEALING - GASKETING MATERIALS

VINYLS are provided in standard and/or low temperature grades, depending on application, compounded from B.F. Goodrich 'Geon' flexible homopolymer resin

SANTOPRENE® is an advanced thermoplastic elastomer from Monsanto having outstanding properties of UV stability and flame retardance.

TPR Thermoplastic Rubber combines the versatility of rubber with high durability properties.

THERMAL BREAK MATERIALS for improved energy conservation may consist of wood, rigid PVC, ABS, or high density solid polyurethane integral to the aluminum.

SPECIAL WEATHERSTRIP PRODUCTS manufactured by others are supplied in materials proprietary to those manufacturers.

AVAILABILITY, STANDARDS and PRICING

Materials and components for the manufacture of products shown in this catalog are maintained in inventory and fabricated for prompt shipment.

Specific information pertaining to the industry standard of over-cut and under-cut lengths are explained at the beginning of each catalog section.

Pricing, terms of sale, shipping allowance information is published in the Price List which is available upon request.

CERTIFICATION

Products of aluminum are warranted for three years against defects in materials or workmanship. Non-metallic materials are guaranteed for ninety days. Warranty applies only to products used in applications for which the product is intended, and installed in an accepted workmanship manner. Defective materials will be replaced or repaired at our option. No claims for damage incurred or work done thereon shall be allowed.

PRODUCTS SHOWN

as dimensional cross-sections are full size profiles, unless noted, and are sufficiently accurate to be used as templates. Perspective drawings are not to scale, but are included to indicate installation methods.

Installation practices vary considerably among geographic areas and the final authority for installation rests with the construction professional. Product information at the beginning of each section pertains to the products shown within that section unless otherwise noted.

PRODUCTS ARE PROVIDED

with required holes and fasteners included in the cost. In general, #10 size fasteners of popular length are provided with thresholds, sills and saddles. Number 6 fasteners are provided for door bottoms and weatherstrips. Fasteners are color matched to the product finish.

PRODUCTS AND PRODUCT DESIGNS ARE SUBJECT TO CHANGE WITHOUT NOTICE.

PRICES AND TERMS ARE SUBJECT TO CHANGE BY NOTIFICATION IN PUBLISHED PRICE LIST.

CONTENTS

SECTIONS	PAGES
General Information & Index.....	1-2
1. Door Bottoms and Seals.....	3-8
2. Combination Sill-Thresholds.....	9-13
3. Fabrication Options.....	14
4. Accessories.....	15
5. Residential Thresholds.....	16-18
6. Insulated Sill-Thresholds.....	19-24
7. "Outswing Thresholds.....	25-26
8. Commercial Saddle Thresholds.....	27-31
9. Jamb Weatherstrip.....	32-34
10. Astragals and Meeting Stiles.....	35-40
11. Replacement Seal Inserts.....	41
12. Metal Mouldings and Floor Trim.....	42-43
13. Security Door Components.....	44

ORDERING INFORMATION

When ordering please state

- 1) **QUANTITY** - number of pieces.
- 2) **PART NUMBER**
- 3) **FINISH** (A, B, BA, G, PG, S, W) see below.
- 4) **PACKAGING** (BK, PR, PT, PS, COVER) see below.
- 5) **SIZE / LENGTH** (36", 80", 72", etc.) see below.
- 6) **FABRICATION** (Options page 4, 14 and 31).

FINISHES

Most extruded aluminum products are available in the following finishes/ coatings:

- A ALUMINUM MILL FINISH** - as extruded condition.
- B BRONZE ANODIZE** - bronze color anodizing process.
- BA BRITE ALUMINUM** - available on selected wallboard trims & edge facing.

- G GOLD ANODIZE** - gold color anodizing process (Floor Trim only).
- PG BRIGHT GOLD** - a chemically brightened gold anodizing process.
- S CLEAR SATIN ANODIZE** - clear anodize with light etch.
- W WHITE** - a baked electrostatic coating or a powder coat according to product service requirement.

Floor trim products come in hammered finishes only.

PACKAGING SYMBOLS

- BK BULK** - Not individual wrapped, but with standard fabrication and fasteners.
- PR POLY-RETAIL** - Shrink wrapped or poly wrapped with product label and fasteners.
- P POLY-SLEEVE** - An open end, heavy 6 mil thick poly wrap for protection during construction. Fasteners included.
- PT PROTECTIVE TAPE** - Tape for aluminum and/or wood protection.
- COVER PROTECTIVE PVC COVER** - On select thresholds.

SIZE - LENGTH

If special sizes are required, please specify at time of ordering. Standard sizes (ie, 30", 32", 36", etc.) are cut over, under, or exact, as detailed in section headings for that specific product.

FABRICATION

All products are cut to standard size, punched with required holes and provided with seal (as illustrated). Additional fabrication may be ordered as follows:

- DOOR BOTTOMS** - Stop cut, 3 degree bevel & weep holes. See page 4.
- SILLS-THRESHOLDS / COMMERCIAL SADDLES** - Rout for nail-on applications, rout for metal / mortised frame, mullion rout, sill trim notch, tabs, or "no-holes" (pages 14 and 31).
- ASTRAGALS** - Punch out for dead bolt, stop cut.

PLEASE TAKE NOTE

Any variance from standard preparation procedures must be noted at the time of ordering. Standard procedures, in addition to the above, are described at the beginning of each product section. Fabrication Options are illustrated on page 4, 14 and 31.

PART NUMBER INDEX

150.....3	341.....18	1000.....32	6116.....44
151.....3	355.....17	1130.....35	6118.....44
200.....3	360.....17	1152.....35	6134.....44
201.....3	410.....25	1201.....35	6138.....44
205.....6	412.....25	1430.....32	6146.....44
208.....7	415.....25	1503.....27	6148.....44
209.....7	417.....26	1504.....27	7100.....42
210.....7	428.....26	1505.....27	7130.....42
211.....7	470.....26	1506.....27	7150.....42
214.....7	471.....26	1507.....27	7160.....42
215.....7	472.....26	1509.....28	7170.....42
217.....7	520.....10	1511.....30	7200.....42
219.....8	522.....10	1512.....30	7210.....42
220.....5	542.....10	1514.....30	7220.....42
221.....5	558.....15	1515.....30	7230.....42
222.....5	566.....11	1516.....28	7300.....42
223.....5	569.....11	1517.....28	7310.....42
224.....5	585.....11	1518.....28	7320.....42
225.....5	586.....12	1520.....28	7360.....42
229.....8	650.....12	1522.....31	7400.....42
232.....8	651.....12	1523.....31	7410.....42
233.....8	680.....12	1525.....28	7420.....42
234.....8	681.....13	1529.....29	7430.....42
240.....8	775.....13	1539.....29	7600.....43
241.....8	776.....13	1544.....29	7610.....43
242.....8	804.....21	1545.....29	7620.....43
243.....8	805.....21	1546.....29	7640.....43
244.....8	822.....19	1547.....29	7650.....43
245.....8	823.....19	1548.....29	7660.....43
246.....8	827.....22	1564.....31	7670.....43
249.....6	831.....24	1650.....33	7680.....43
250.....3	832.....24	1651.....33	7690.....43
251.....3	835.....20	1652.....33	7700.....43
255.....4	836.....24	1656.....33	7710.....43
256.....3	839.....20	1687.....33	7720.....43
257.....3	842.....19	1825.....34	7730.....43
260.....4	843.....19	1826.....34	7790.....43
261.....4	845.....20	1830.....32	7800.....43
263.....6	847.....22	1835.....34	7810.....43
264.....6	849.....20	1951.....34	7820.....43
267.....6	850.....21	3007.....16	7830.....43
268.....6	853.....24	3008.....16	7850.....43
273.....6	854.....21	3017.....16	7880.....43
274.....6	857.....22	3104.....15	9008.....41
280.....4	877.....22	3109.....15	9009.....41
281.....4	927.....23	3116.....15	9010.....41
300.....18	947.....23	3212.....32	9011.....41
309... 7, 35	957.....23	3727.....24	9012.....41
322.....18	977.....23	5000.....36	9017.....41
332.....17		5400.....37	9021.....32
		5450.....37	9023.....32
		5475.....38	9024.....32
		5500.....39	9032.....41
		5600.....40	9034T... 41
		5700.....40	9060.....44
		6100.....44	9082.....41
		6104.....44	9088.....41
			Repl Vinyl ..41

COMBO ALUMINUM PRODUCTS, EL CAJON, CA
1100 North Johnson Avenue, El Cajon, CA 92020

2 **Tel (619) 447-9200 (800) 457-7500 Fax (619) 442-4558**

Section 1 DOOR BOTTOMS & SEALS

Door Bottoms are extruded aluminum with either double vinyl seal or wide finger vinyl seal.

Standard Size are 30", 32", 36", 42" & 48" and are cut 1/4" under unless noted.

Other lengths may be ordered, and are cut exact.

Door Bottoms have **slotted holes** for close adjustment. SMS 6 x 5/8" phillips panhead stainless steel screws are included.

◁ Indicates location of standard fastener hole.

THERMAL BREAK door bottoms are shown on page 5.

Color of sealing material is black. Made from virgin, flexible extruded vinyl.

Replacement sealing materials are available and sold by the foot (Page 41).

Custom fabrications - **Stop cuts & 3 degree bevel** - are available to assist installation. See page 4 for detail.

Typical clearance between door and threshold is 3/8". **Check before installation.**

Some Door Bottoms have a **drip cap** to direct rain water run-off. Weep holes are avail.

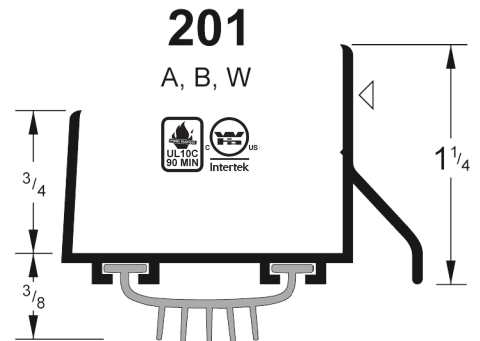
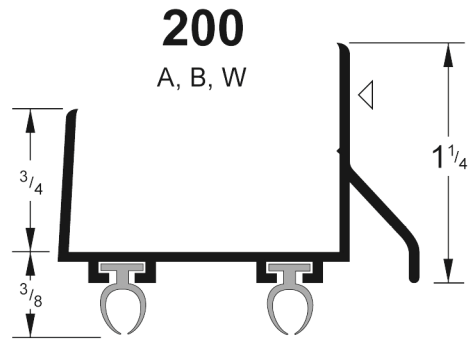
Threshold and Door Bottoms can be ordered in packaged sets.

Closure strips with a reach up to 1-1/4" (page 7)

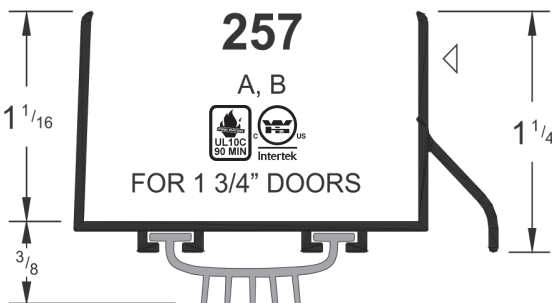
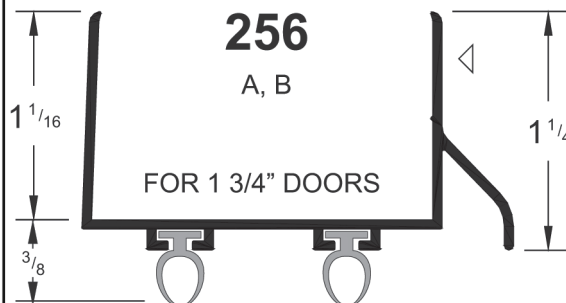
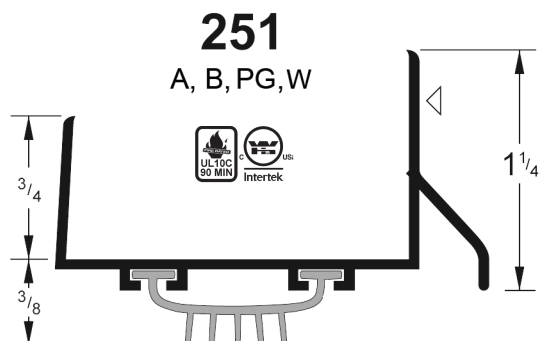
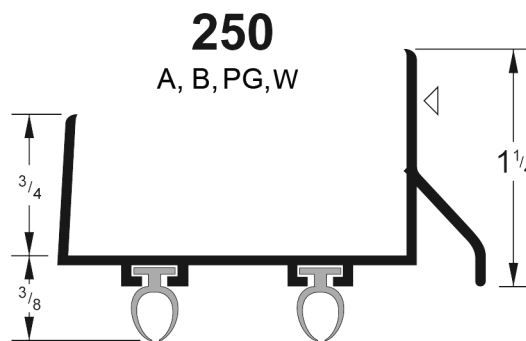
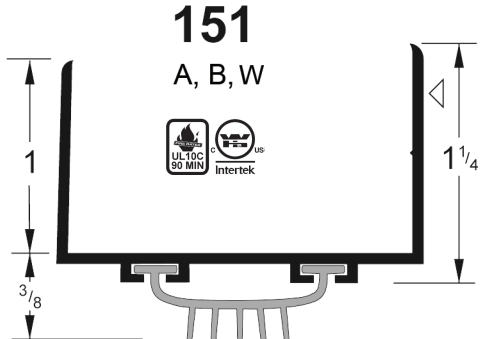
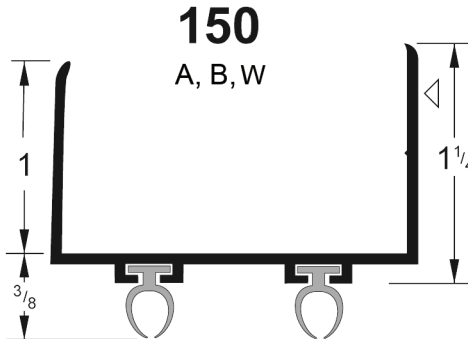
Automatic Door Bottoms are available in both Surface Mount and Mortise types.

Part #255 is designed for **hollow metal doors** (page 4).

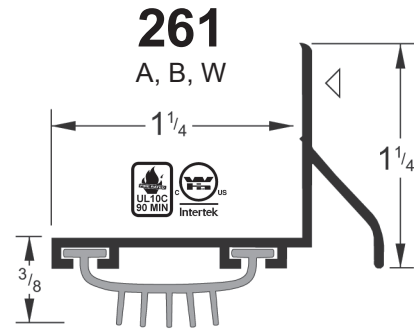
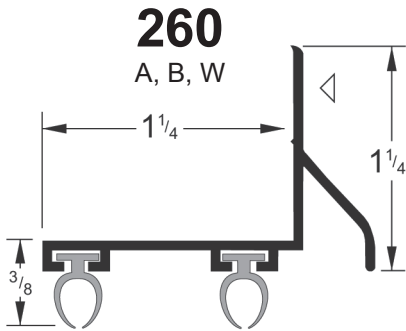
FOR 1-3/8" DOORS



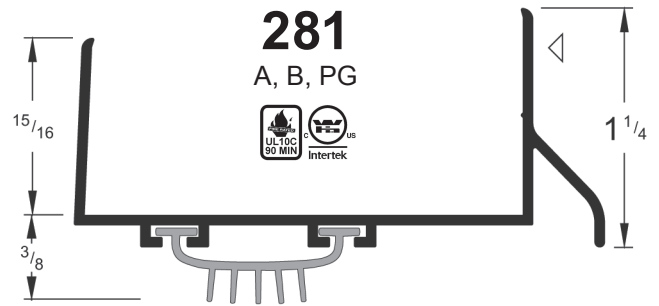
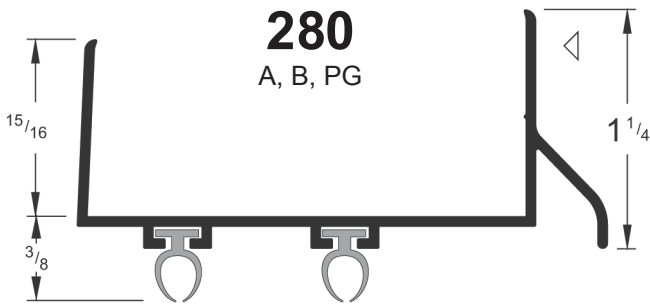
FOR 1-3/4" DOORS



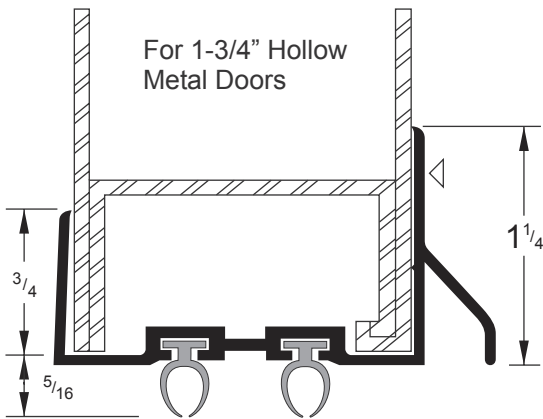
UNIVERSAL DOOR BOTTOMS



FOR 2-1/4" DOORS



255 A, B



DOOR BOTTOM FAB OPTIONS

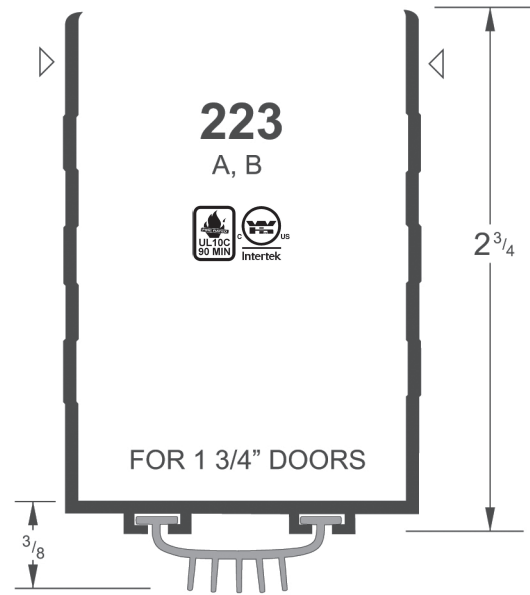
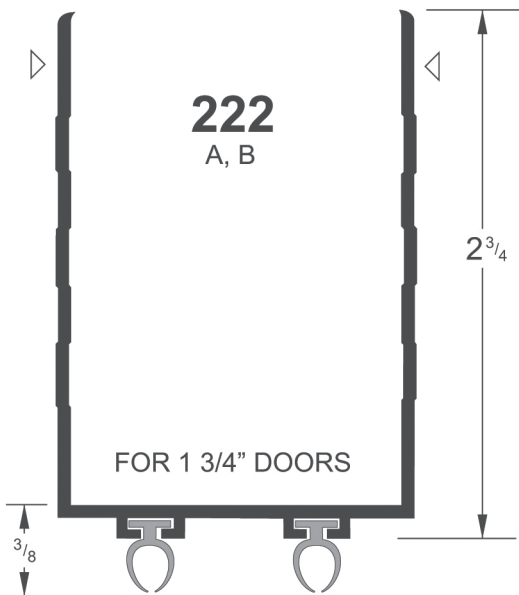
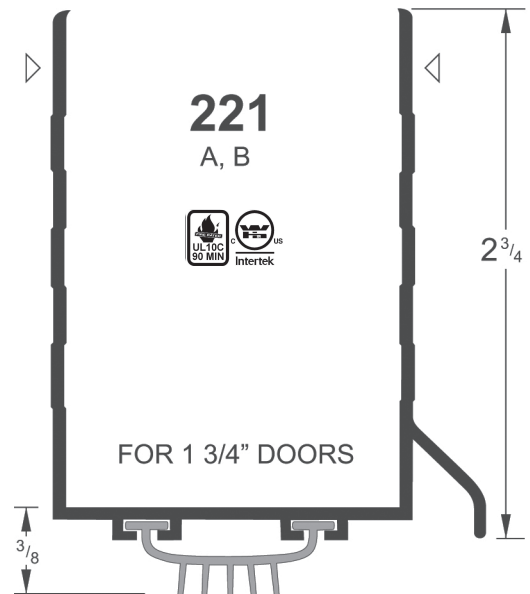
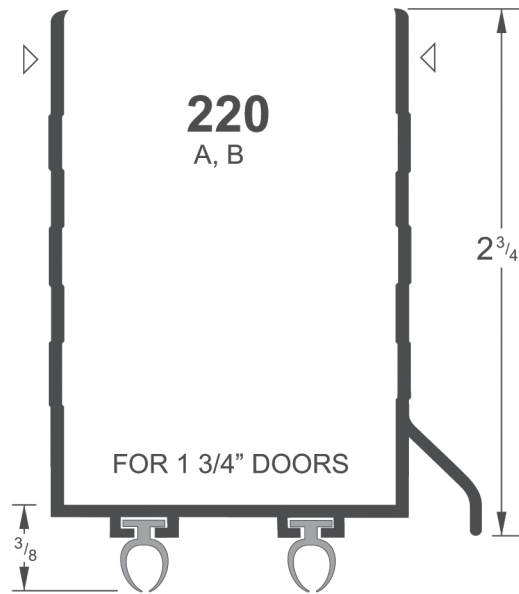
<p>3 DEGREE BEVEL</p> <p>3 degree bevel</p> <p>Order: Specify "inswing" or "outswing" door.</p> <p>Bevel door bottom to fit bevel of door.</p>	<p>STOP CUT</p> <p>Order: Specify size of stop cut: 1/2", 5/8" or 3/4".</p> <p>Removes metal to prevent interference with door stop.</p>
---	---

THESE DRAWINGS NOT TO SCALE

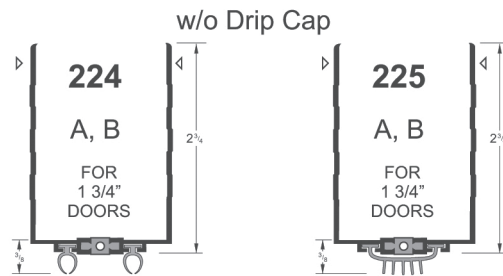
▽ Indicates location of standard fastener hole.

PRODUCTS ARE SHOWN ACTUAL SIZE (EXCEPT AS NOTED)

COMBINATION KICK PLATE AND DOOR BOTTOM



THERMAL BREAK DOOR BOTTOMS



THESE DRAWINGS NOT TO SCALE

Features:
Combination Door Bottom & Kick Plate.

Thermal Break is rigid PVC.

Slotted holes on both sides.

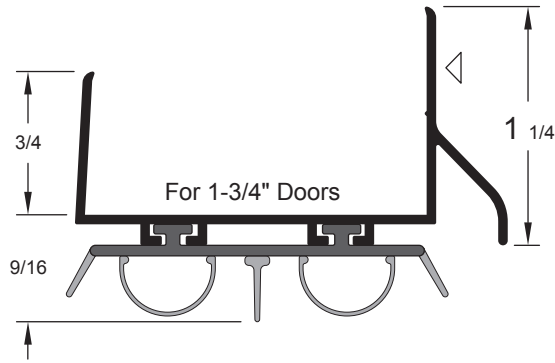
▽ Indicates location of standard fastener hole.

PRODUCTS ARE SHOWN ACTUAL SIZE (EXCEPT AS NOTED)

COMBO ALUMINUM PRODUCTS, EL CAJON, CA
Tel (619) 447-9200 (800) 457-7500 Fax (619) 442-4558

249

A, B, PG, W



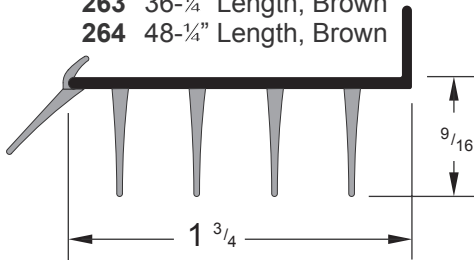
PVC Seal will fit:
All 1 3/4" Door Bottoms
except part #255

PVC DOOR BOTTOM (Dual Durometer)

For 1-3/4" door - attaches with staples, nails, or screws. (Not furnished)

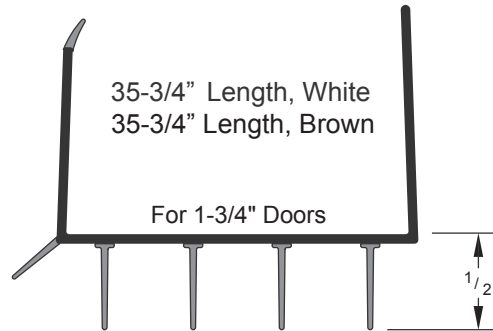
263

263 36-3/4" Length, Brown
264 48-3/4" Length, Brown



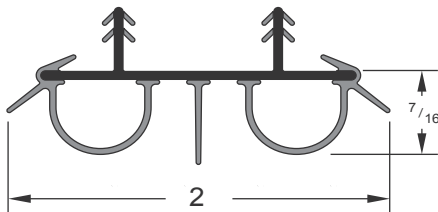
273
274

35-3/4" Length, White
35-3/4" Length, Brown



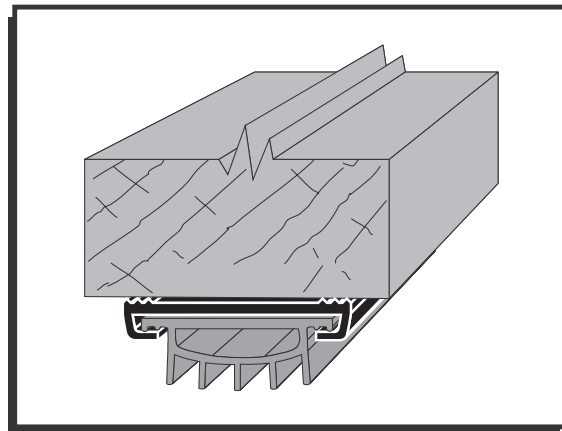
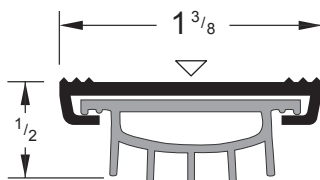
267

267 31-3/4" Length, Brown
268 35-3/4" Length, Brown



CONCEALED DOOR BOTTOMS

205 A, B (Cut Exact)

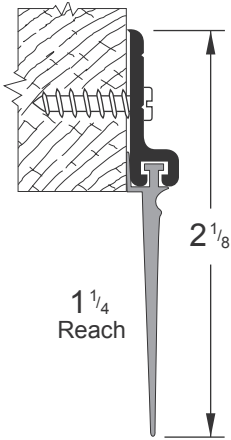


▽ Indicates location of standard fastener hole.

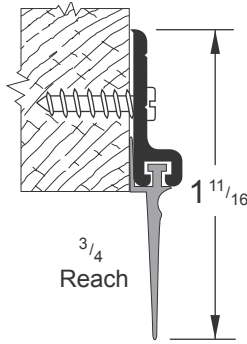
CLOSURE STRIPS

Closure strips are cut 1/4" over. Slotted holes for close adjustment. SMS 6 X 5/8" phillips-panhead screws are provided.

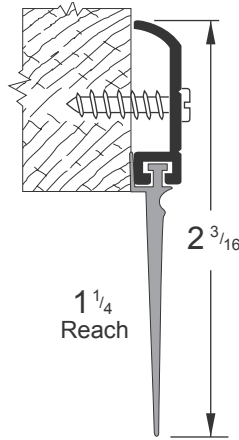
208
A, B, PG, W



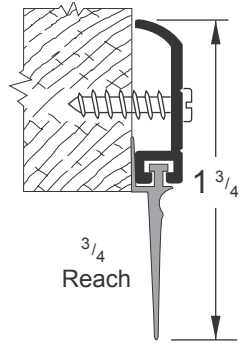
209
A, B, PG, W



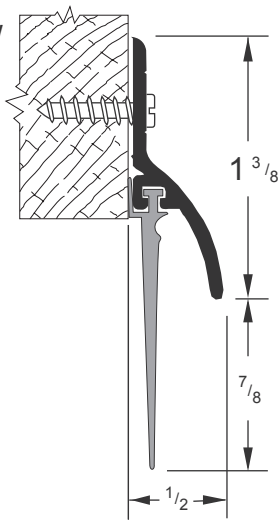
210
A, B, W



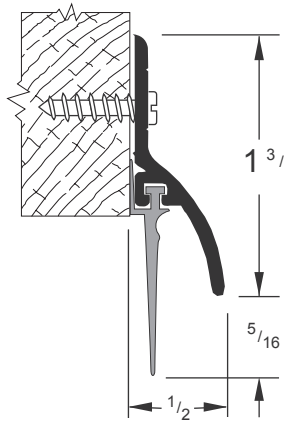
211
A, B, W



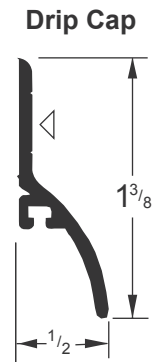
214 A, B, W



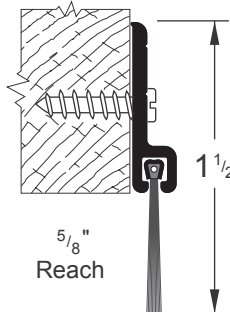
215 A, B, W



217 A, B, W



309 A, B

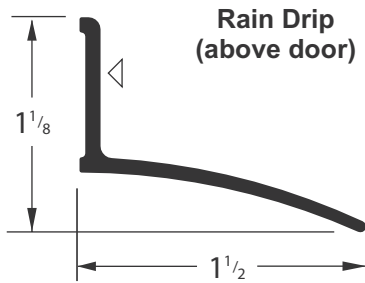


▽ Indicates location of standard fastener hole.

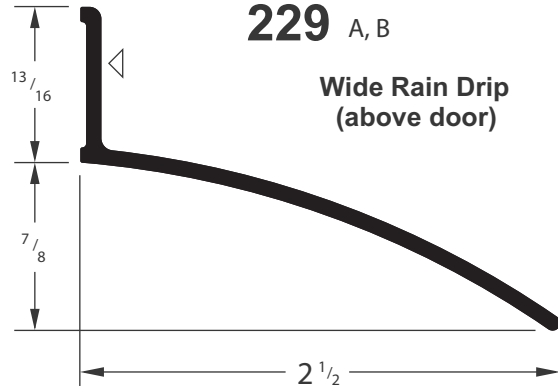
PRODUCTS ARE SHOWN ACTUAL SIZE

OVER HEAD PROTECTION

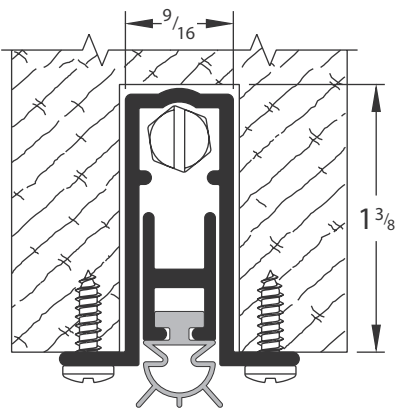
219 A, B, W



229 A, B



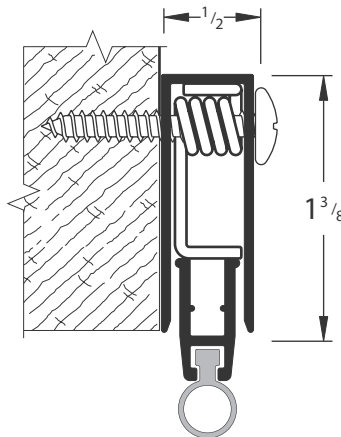
AUTOMATIC DOOR BOTTOMS



Mortise type automatic door bottom, vinyl seal, 3/4" max. drop.

- 240** 24"
- 241** 28"
- 242** 30"
- 243** 32"
- 244** 36"
- 245** 42"
- 246** 48"

Finish:
A Aluminum Mill Finish



Surface mount automatic door bottom, pliable seal, 1/2" max. drop.

- 232** 30" - 32"
- 233** 34" - 36"
- 234** 40" - 42"

Finish:
B Bronze Anodize
S Satin Anodize

▽ Indicates location of standard fastener hole.

Section 2 COMBINATION SILL-THRESHOLDS, the “COMBO SILL”

<p>Standard Sizes: 30", 32", 36", 42", 48", 60", 64", 72" (cut exact).</p>	<p>Special fabrications to ease installation with ordering information are described on page 14:</p>	<p>All Combo Sills can be packaged with any door bottom to create a packaged set.</p>
<p>Other lengths are available. (Extra cost over 73") Drop In Sills are cut to exact length ordered.</p>	<p>Rout for nail-on jambs (3/8" - 1-1/4") Mullion rout (MR) Rout for metal/mortised frame (RMF) Sill trim notch (SN) Nail-on rabbet</p>	<p>Sill Covers and Sill Risers are on page 15.</p>
<p>Center holes are countersunk, 1 per door for routed nail-on sill; or, approximately 1 per 12" for drop-in sill. Sills can be ordered without center holes, if desired.</p>	<p>#10 phillips flathead screws are included, length per industry standard.</p>	<p>End Holes are provided with sills routed for nail-on jambs.</p>

SILL-THRESHOLD SELECTION GUIDE

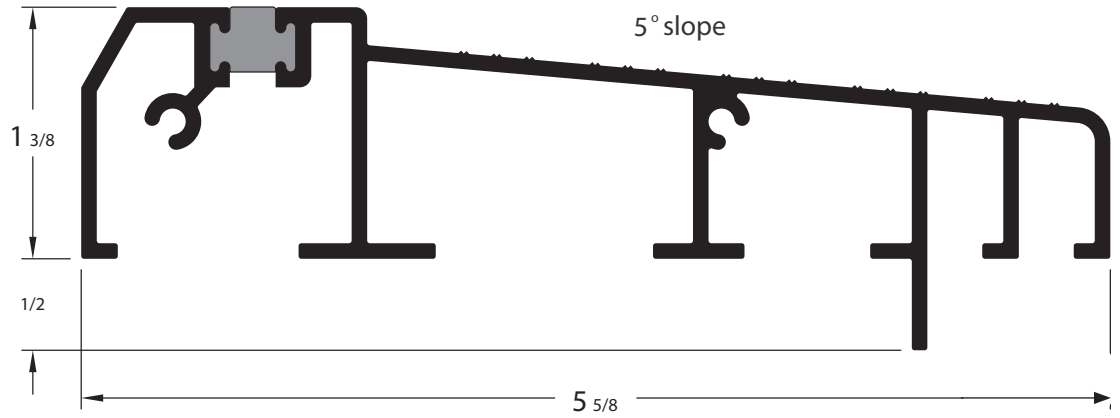
PRODUCT #	WIDTH	HEIGHT	SLOPE	JAMB WIDTH
542	4⁹/₁₆"	1¹/₈"	6°	4¹/₈ to 5
650	5³/₄"	1¹/₈"	9°	4³/₈ to 5¹/₂
569	5⁵/₈"	1¹/₄"	6°	4³/₈ to 5¹/₂
775	7³/₄"	1¹/₄"	9°	6 to 7¹/₈
520	5⁵/₈"	1³/₈"	5°	4³/₈ to 5¹/₂
522	7³/₄"	1³/₈"	5°	6 to 7¹/₈
585	5¹/₈"	1³/₈"	9°	4 to 4⁷/₈
680	6¹³/₁₆"	1³/₈"	9°	5¹/₂ to 6¹/₂

NOTE: Each profile also available for continuous level floor.

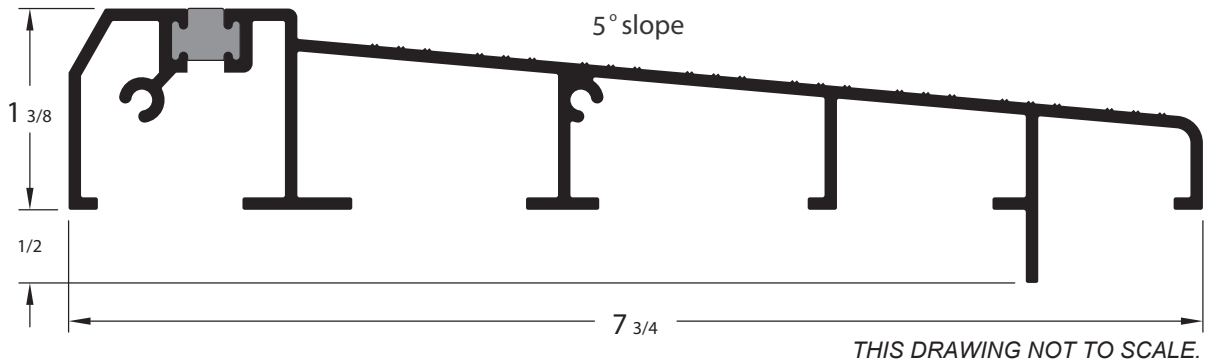
THERMAL-BREAK THRESHOLD

Thermal-Break Threshold for Modular Homes (#520 & #522). Heavy wall thickness for strength and rigidity. Screw-bosses for attaching to frame (fasteners not included). End Seals available.

520 A



522 A



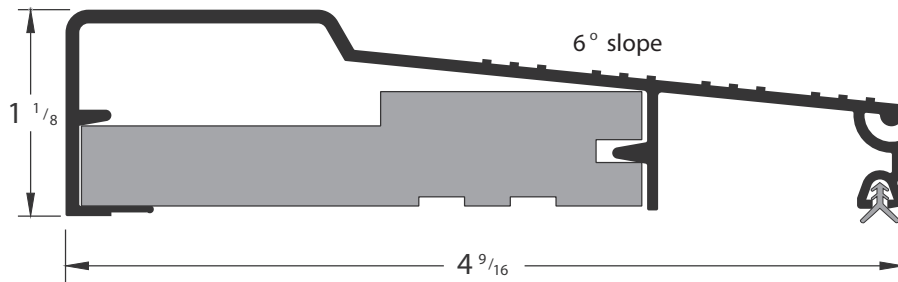
INSERT SILL-THRESHOLD

COMPOSITE & WOOD SUBSTRATE AVAILABLE

542 A, B



For jambs:
4-1/8" to 5" wide.
For doors 1-3/4" and over
**Will accept extender
836
shown on page 24**



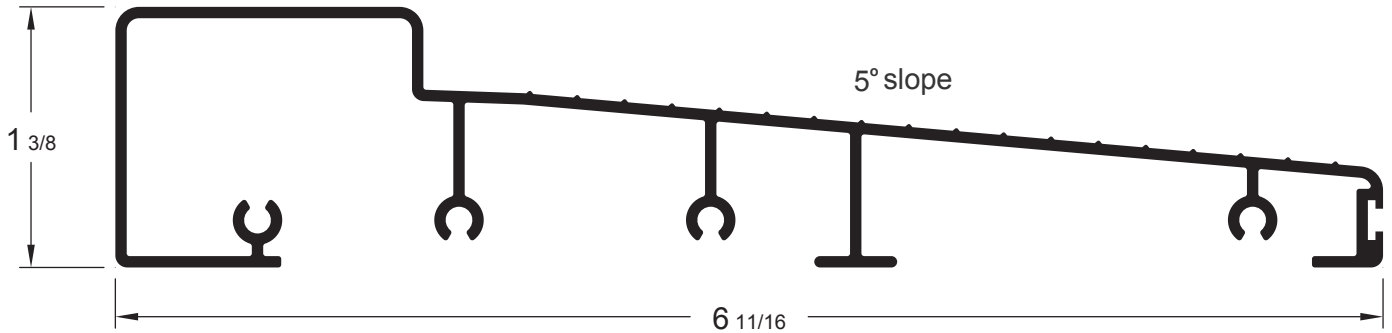
Full length wood or composite insert for glue down or nail-on applications


▽ Indicates location of standard fastener hole.

“COMBO SILLS”

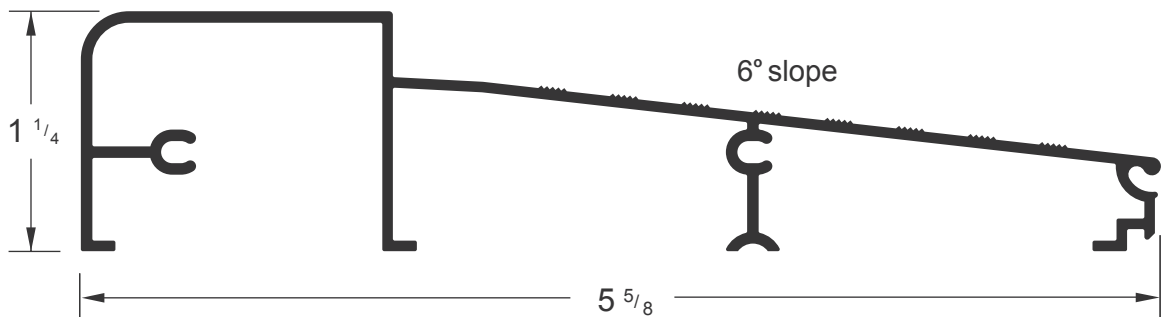
566 A 


For jambs:
5-1/2" to 6-1/2" wide.



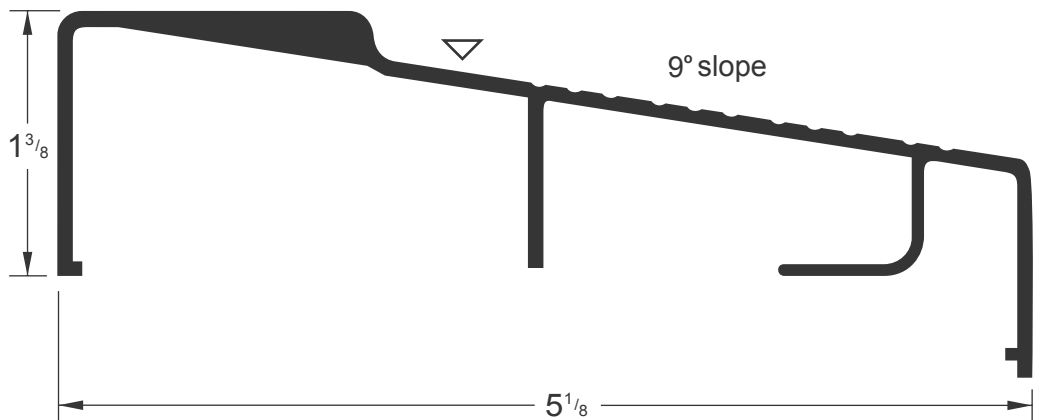
569 B 

For jambs:
4-3/8" to 5-1/2" wide.



585 A, B 

For jambs:
4" to 4-7/8" wide;
For doors 1-3/4" and
over. 10 x 2-1/2" phillips
flathead screws
are included.



▽ Indicates location of standard fastener hole.

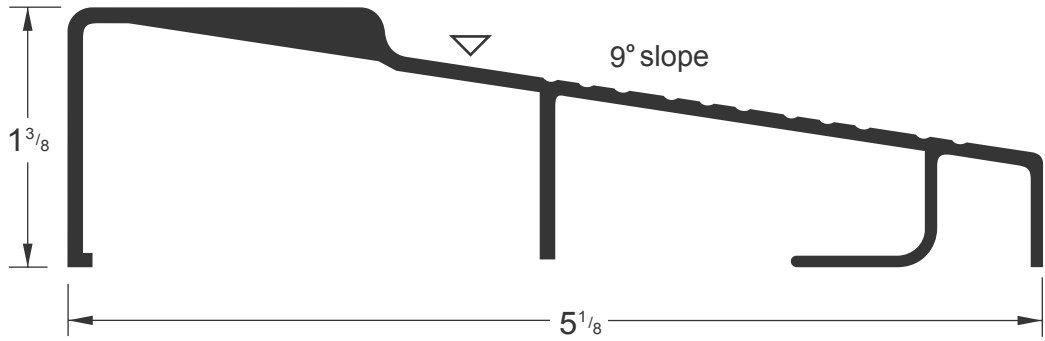
PRODUCTS ARE SHOWN ACTUAL SIZE

Combination Sill-Thresholds continued

586 A, B



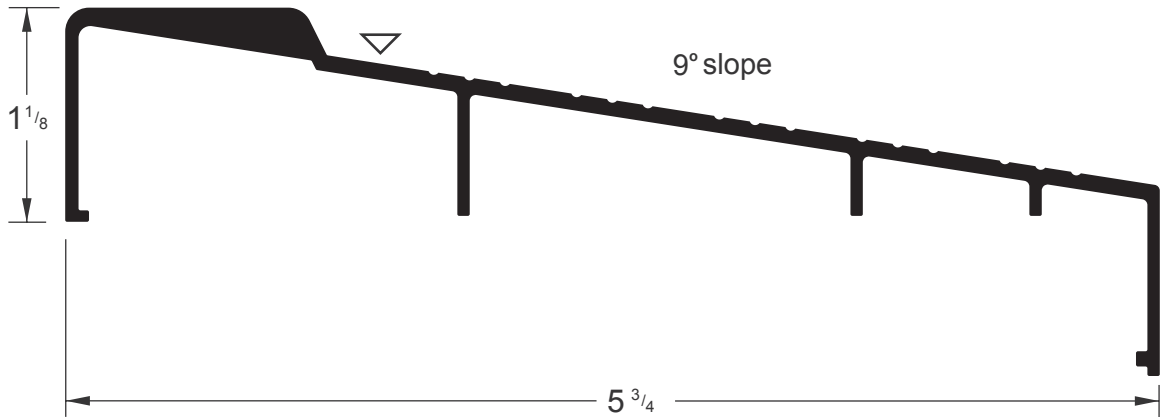
For jambs:
4" to 4-7/8" wide &
continuous level floor.
For doors 1-3/4" and
over. 10 x 2-1/2" phillips
flathead screws are included.



650 A, B



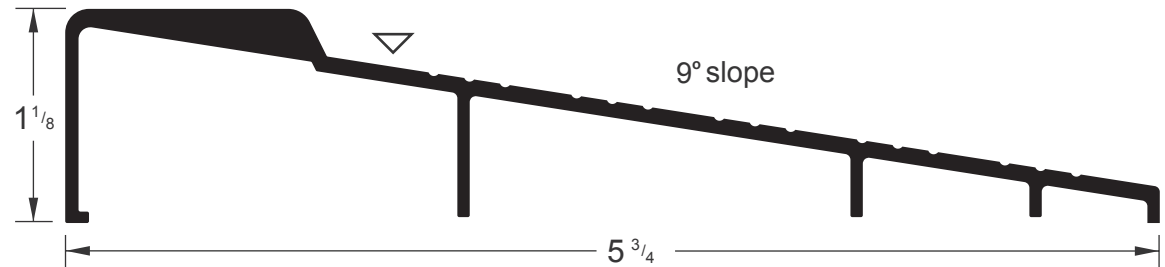
For jambs:
4-3/8" to 5-1/2"
wide. 10 X 2"
phillips flathead
screws are included.



651 A, B



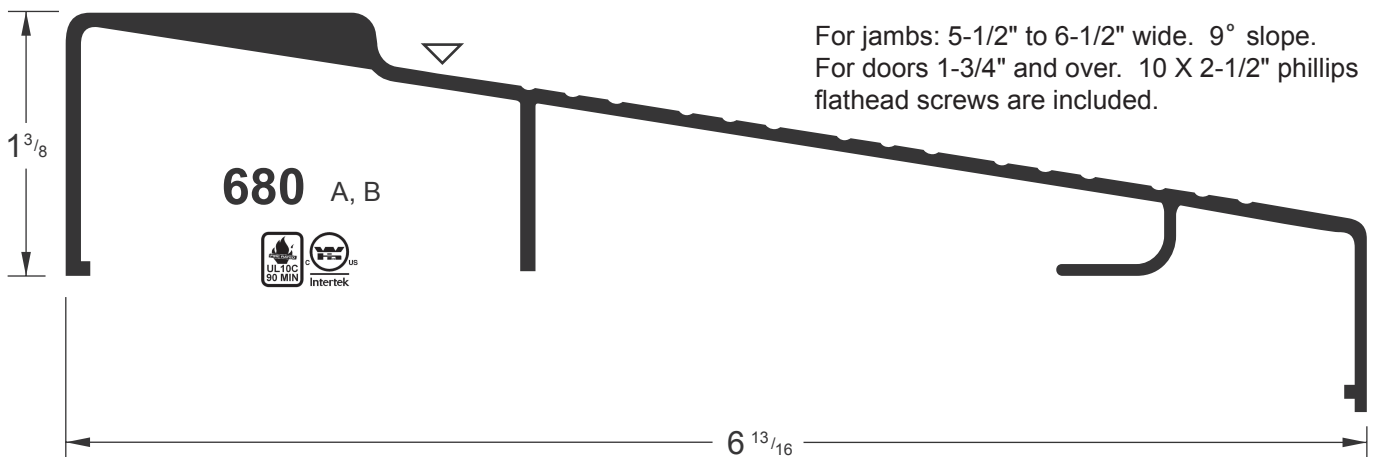
For jambs:
4-3/8" to 5-1/2" wide
& continuous level
floor. 10 X 2"
phillips flathead
screws are included.



680 A, B

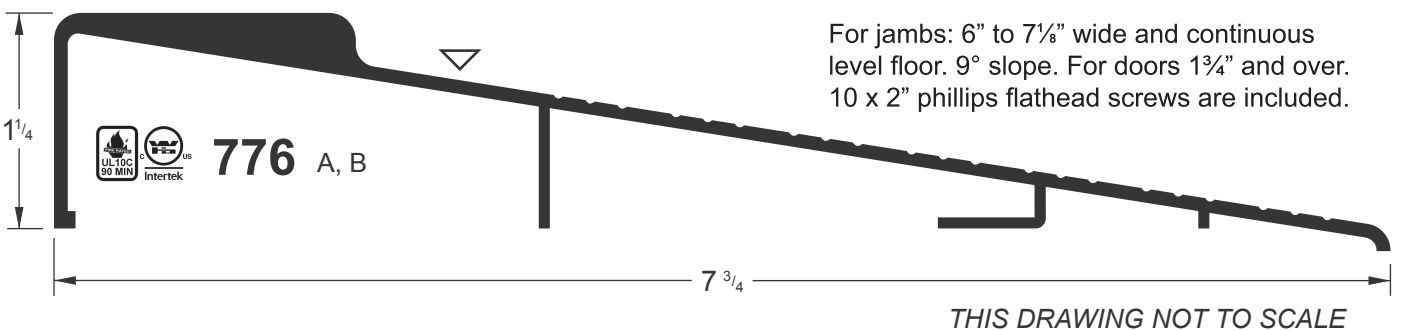
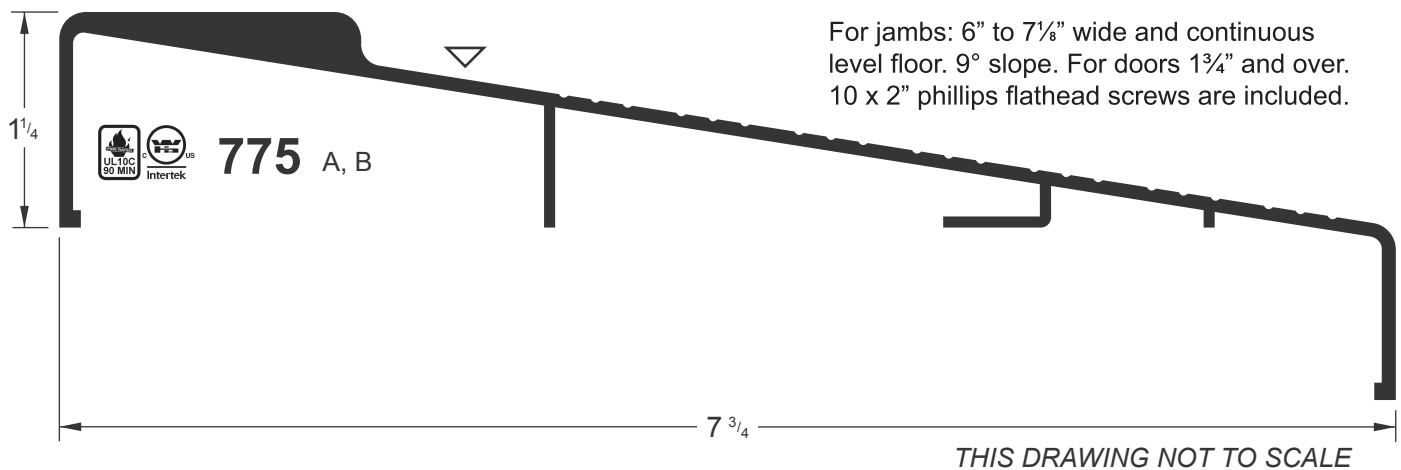
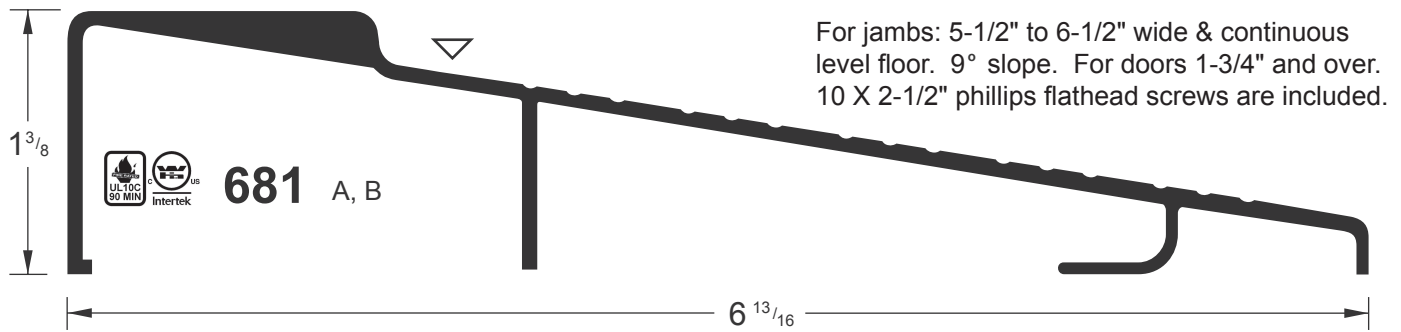


For jambs: 5-1/2" to 6-1/2" wide. 9° slope.
For doors 1-3/4" and over. 10 X 2-1/2" phillips
flathead screws are included.



▽ Indicates location of standard fastener hole.

Combination Sill-Thresholds continued



▽ Indicates location of standard fastener hole.

**PRODUCTS ARE SHOWN ACTUAL SIZE
(EXCEPT AS NOTED)**

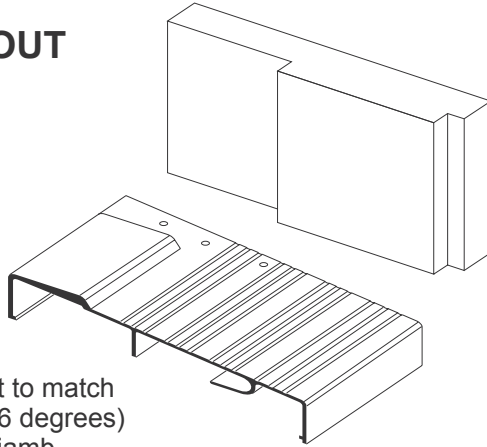
Section 3 FABRICATION OPTIONS for "COMBO SILLS"

The Combo Sill, a combination sill and threshold, and other threshold products can be customized for a variety of applications. The most commonly used fabrications are illustrated below, and include the

appropriate **ordering information**. Center holes are countersunk. Sills can be ordered **without** center holes, if required. Illustrations are not to scale. See price list for fabrication cost.

NAIL-ON ROUT

For wood door frames, using nails or staples to attach jambs to the Combo Sills (nail holes provided).



Installation:

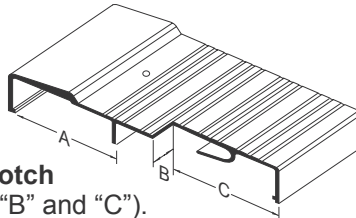
Jamb must be cut to match slope of sill. (Eg. 6 degrees)
Cut left and right jamb.

Order: Door opening plus rout size.
Rout Sizes: R3 = 3/8", R4 = 1/2", R6 = 3/4",
R7 = 7/8", R8 = 1", R9 = 1-1/8",
R10 = 1-1/4"

Holes: One (1) center hole per door.
Three (3) nail end holes.

SILL NOTCH (SN)

SN is a milling operation to fit the sill around the frame or trim molding.

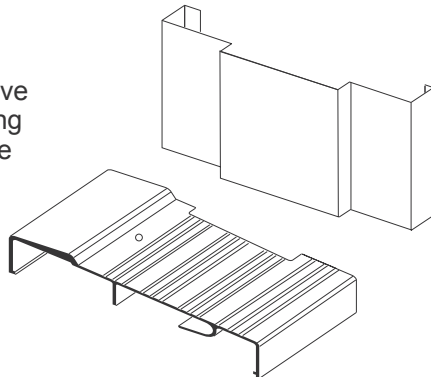


Order: Dimensions of notch required (ie: "A", "B" and "C").

Holes: Three (3) center holes per door.

ROUT FOR METAL FRAMES (RMF)

RMF is a milling operation to remove aluminum, enabling the threshold to be "dropped" into place.

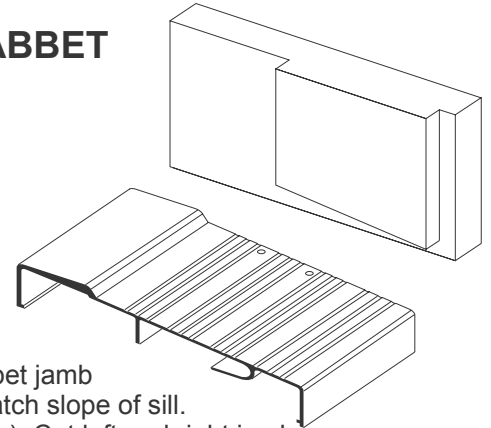


Order: Exact length required. Specify stop size, and "inswing" or "outswing" door.

Holes: Three (3) center holes per door.

NAIL-ON RABBET

For wood door frames, using nails or staples to attach door jambs to the Combo Sills (nail holes provided).



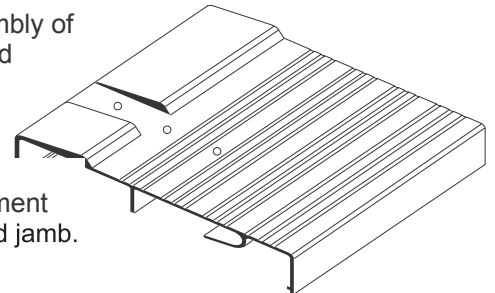
Installation:

Door stop on rabbet jamb must be cut to match slope of sill. (5, 6, or 9 degrees). Cut left and right jamb.

Order: Exact length required.
Holes: One (1) center hole per door.
Two (2) end holes. Specify location.

MULLION ROUT (MR)

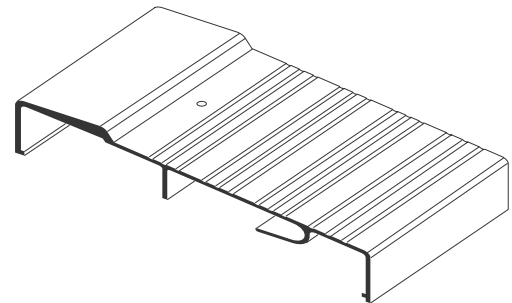
For shop assembly of door, frame, and lites prior to installation on the job. Ensures most positive attachment between sill and jamb.



Order: Exact length required and placement of rout from the outside looking in.

Holes: One (1) center hole per door.

DROP IN STANDARD (NO FAB)



Order: Exact Sill length.

Holes: Three (3) center holes per door.

Section 4 ACCESSORIES

Sill Covers: Standard Sizes - 30", 32", 36", 42", 48" (**cut 3/8" over**); 60", 64", 72", (cut 1" over).
Other lengths are available and are cut exact as ordered. (Extra cost over 73")
 No holes or fasteners are provided.

Sill Risers: Sill risers are **cut exact**. Center holes are countersunk.
 #10 sheet metal screws are provided.

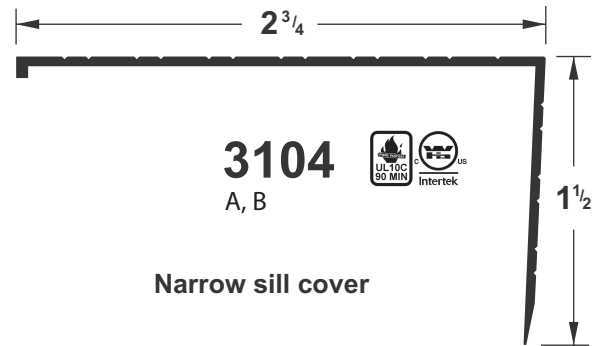
SILL COVERS

Used to extend COMBO sills, in order to cover exterior foundation beyond threshold.

3109
A, B



Level sill cover

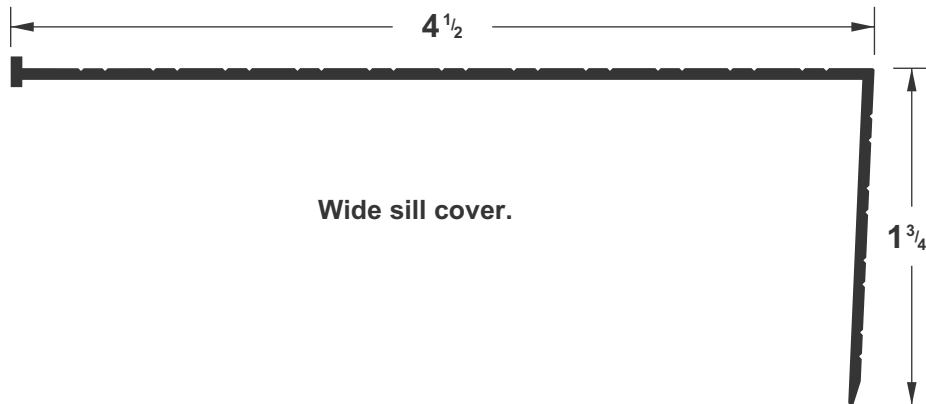


3104
A, B



Narrow sill cover

3116
A, B, PG



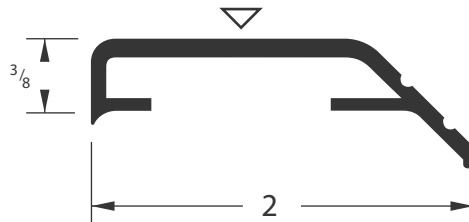
Wide sill cover.

SILL RISER

Used to increase the height of Combo Sill-Thresholds, to accommodate a change in floor covering thickness. Will fit most Combo Sill-Thresholds, pages 9-13. Cut Exact.

558
A, B

10 x 1-1/2"
Phillips flathead
screws are
included.



▽ Indicates location of standard fastener hole.

PRODUCTS ARE SHOWN ACTUAL SIZE

COMBO ALUMINUM PRODUCTS, EL CAJON, CA
 Tel (619) 447-9200 (800) 457-7500 Fax (619) 442-4558

Section 5 RESIDENTIAL THRESHOLDS

Thresholds are extruded aluminum.

Standard Sizes (Product is cut oversize to allow "cutting in"): 30", 32", 36", 42", 48" (**cut 3/8" over**); 60", 64", 72" (cut 1" over) .

Other lengths are available and are cut exact. (Extra cost over 73")

Thresholds routed for metal frames are cut exact. Specify special

requirements at time of ordering.

Center holes are counter-sunk. #10 phillips flathead screws are included.

Special anchors may be required on concrete slab construction.

Above specifications do not apply to Hardwood Thresholds and Water Returns, page 17,18

Sealing material, both moisture barrier and door seal is made from virgin, flexible extruded vinyl and exceeds requirements specified in commercial standard CS 230-60. Vinyl color is black.

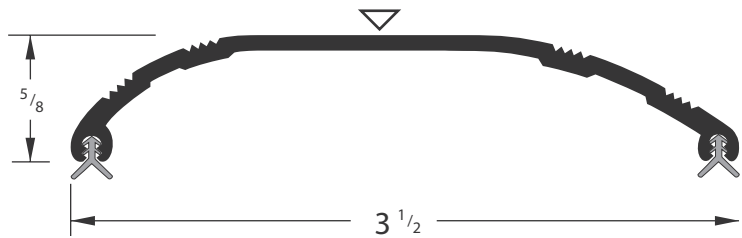
All Combo Thresholds can be packaged with any door bottom to create a packaged set. See pages 3-6 for Door Bottom selection.

3007



A, B,

Low rug threshold with vinyl moisture barrier. 10 x 1-1/2" phillips flathead screws are included.

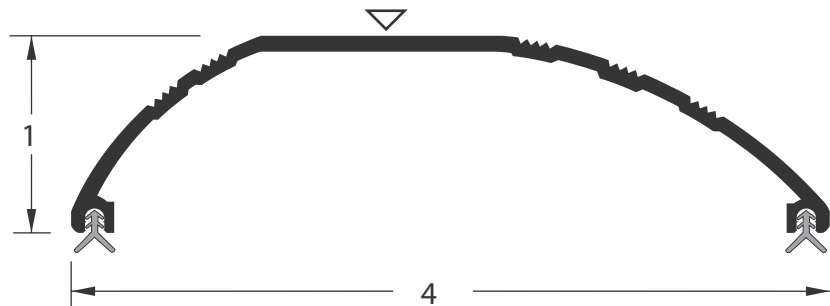


3008



A, B

High rug threshold with vinyl moisture barrier. 10 x 2" phillips flathead screws are included.

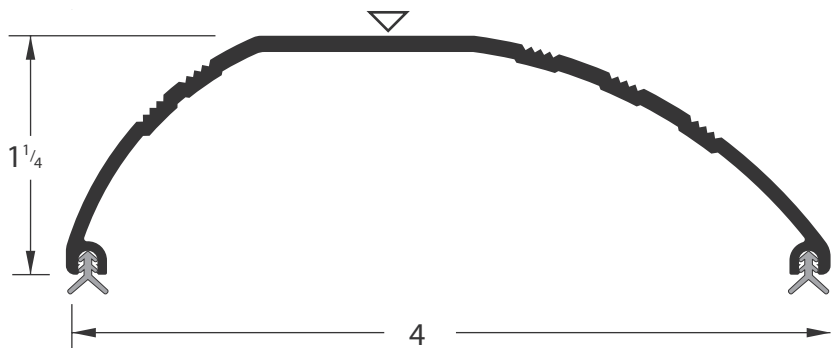


3017



A, B

Extra high rug threshold with vinyl moisture barrier. 10 x 2" phillips flathead screws are included.



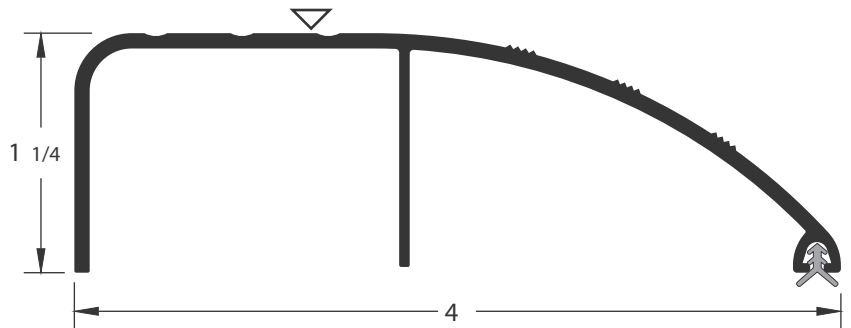
▽ Indicates location of standard fastener hole.

SQUAREBACK THRESHOLD

332

A, B

Squareback threshold for butting up to floor covering. Moisture barrier seal is made from virgin, flexible extruded vinyl. 10 x 2" phillips flathead screws are included.

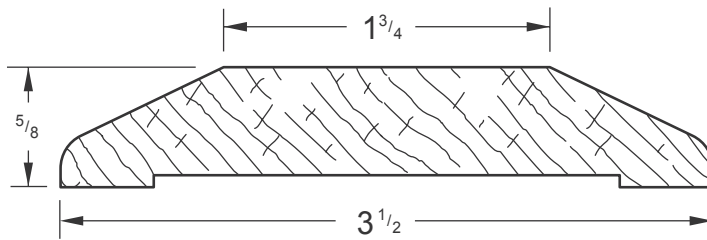


HARDWOOD THRESHOLDS

355

37" Length

Low rug, Hardwood threshold.

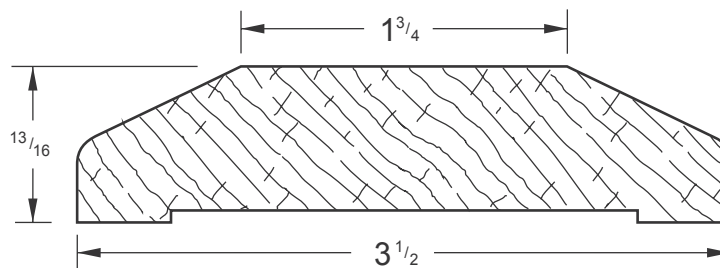


▽ Indicates location of standard fastener hole.

360

37" Length

High rug, Hardwood threshold.
Full 1-3/4" sealing surface.

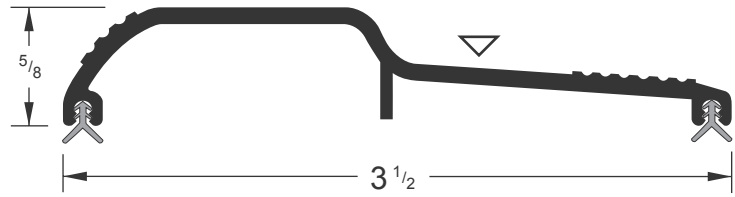


300

A, B



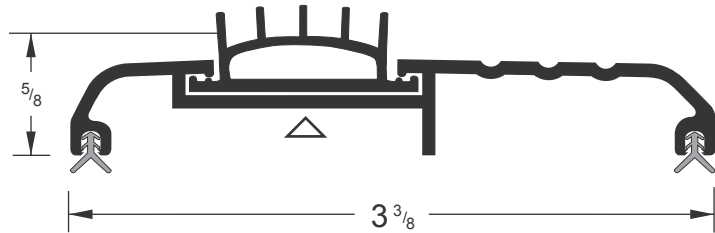
Low rug, contemporary design with water dam and vinyl moisture barrier. Center leg for extra support. 10 x 1 1/2" phillips flathead screws are included.



322

A, B

Low rug threshold with a smooth vinyl insert and vinyl moisture barrier. 10 x 1-1/2" phillips flathead screws are included.

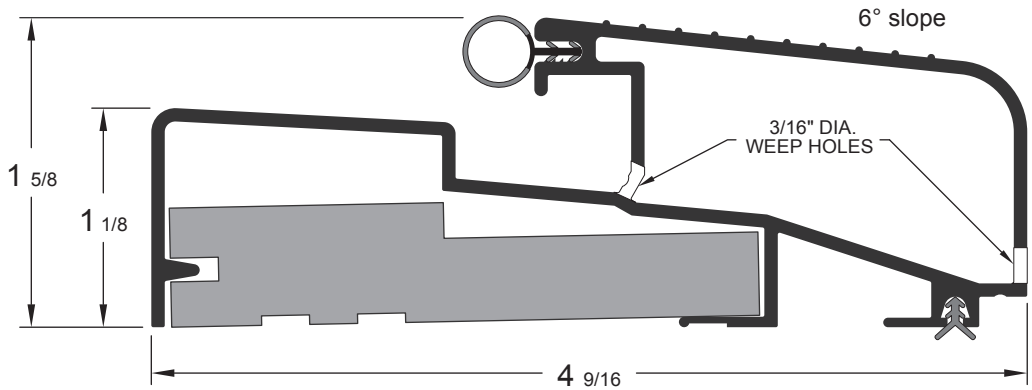


341 A, B



**WATER-RETURN
IN SWING BUMPER**

thresholds designed to prevent water penetration. Residual water is returned outside through weep holes. Full length composite insert for glue-down or nail-on applications. Cut exact. End seals included.



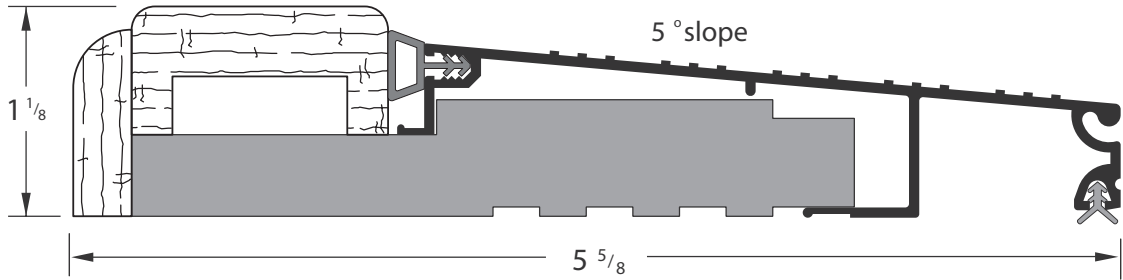
▽ Indicates location of standard fastener hole.
PRODUCTS ARE SHOWN ACTUAL SIZE

Section **6 INSULATED SILL THRESHOLDS**

FIXED HARDWOOD THRESHOLDS

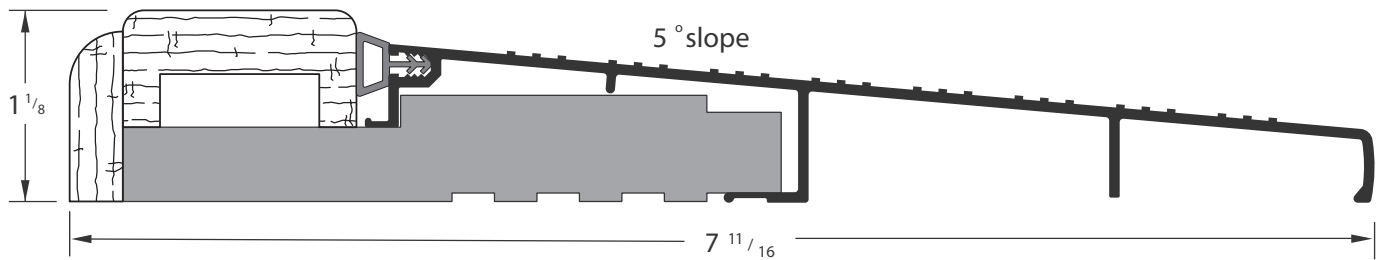
COMPOSITE OR WOOD SUBSTRATE AVAILABLE

822
A, B,



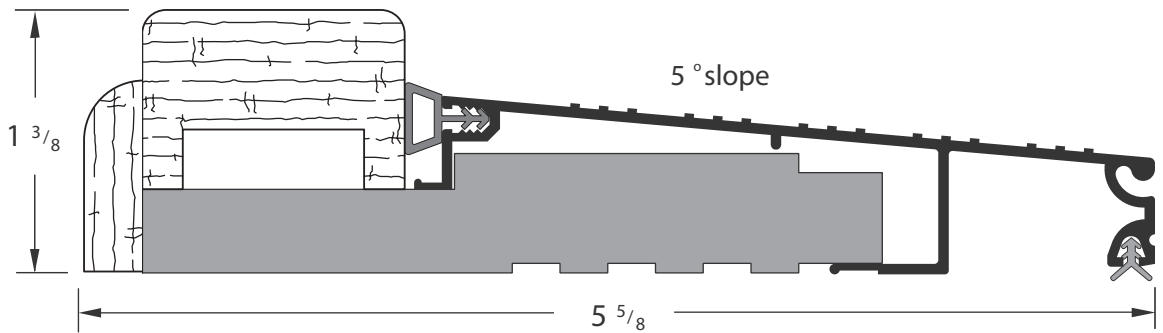
Available extender shown on page 24.

823
A, B,



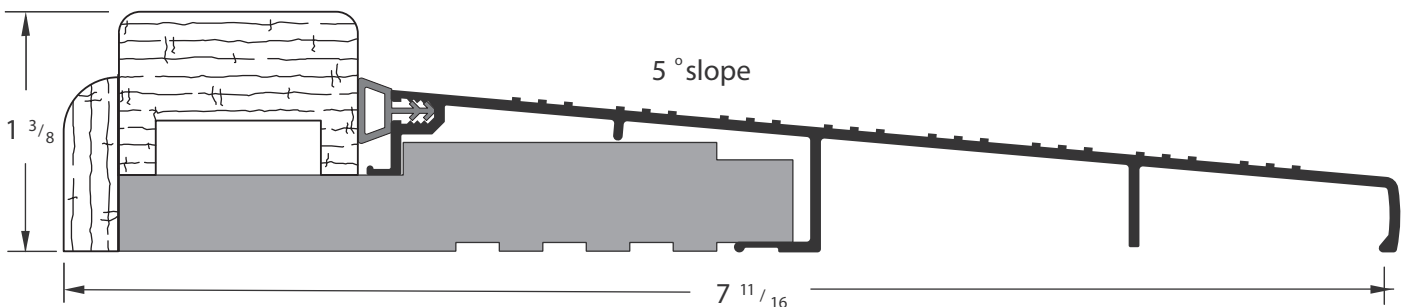
THIS DRAWING NOT TO SCALE

842
A, B,



Available extender shown on page 24.

843
A, B,

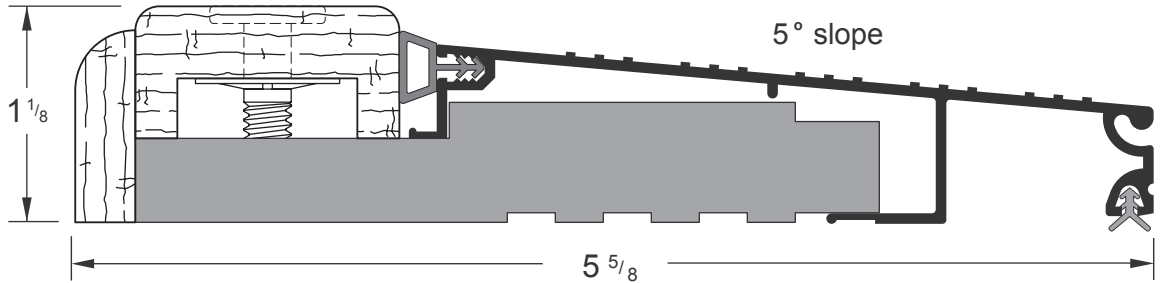


THIS DRAWING NOT TO SCALE.

ADJUSTABLE HARDWOOD THRESHOLDS

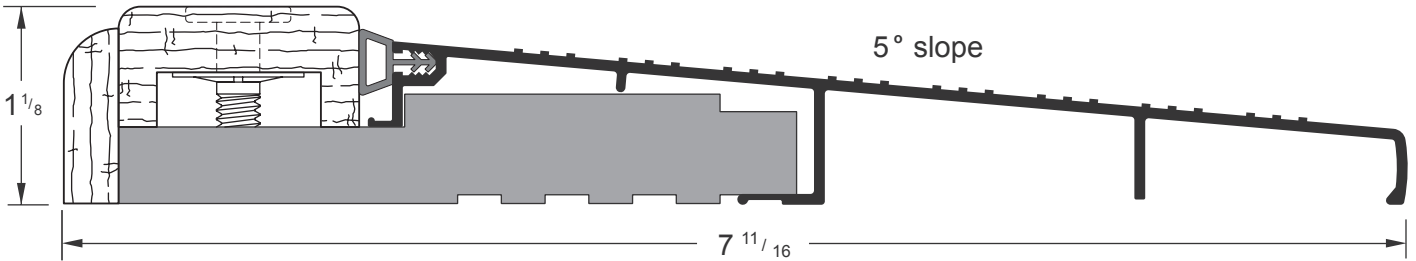
COMPOSITE & WOOD SUBSTRATE AVAILABLE

835
A, B



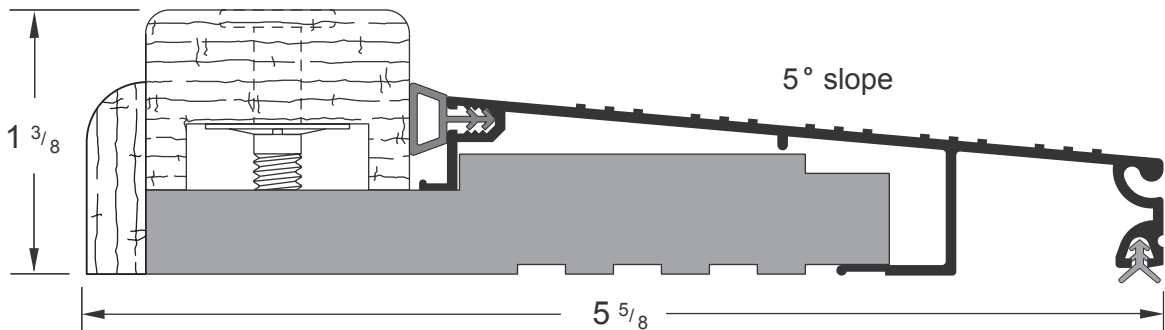
Available extender shown on page 24.

839
A, B



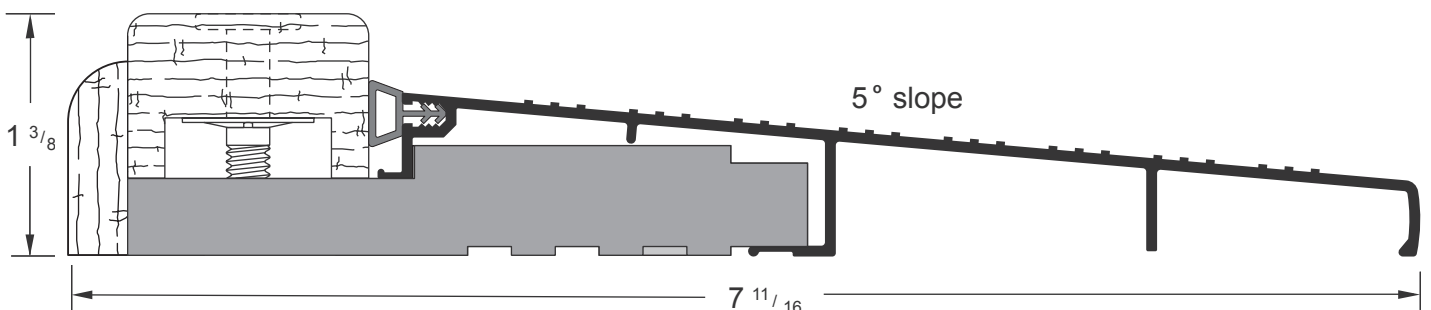
THIS DRAWING NOT TO SCALE

845
A, B



Available extender shown on page 24.

849
A, B

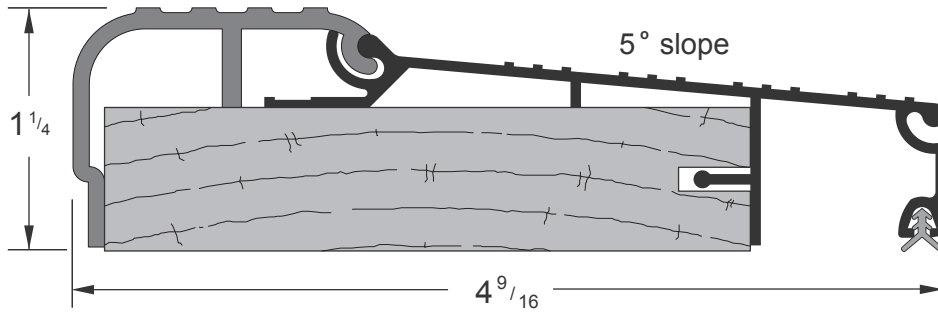


THIS DRAWING NOT TO SCALE

FIXED ABS CAP

850

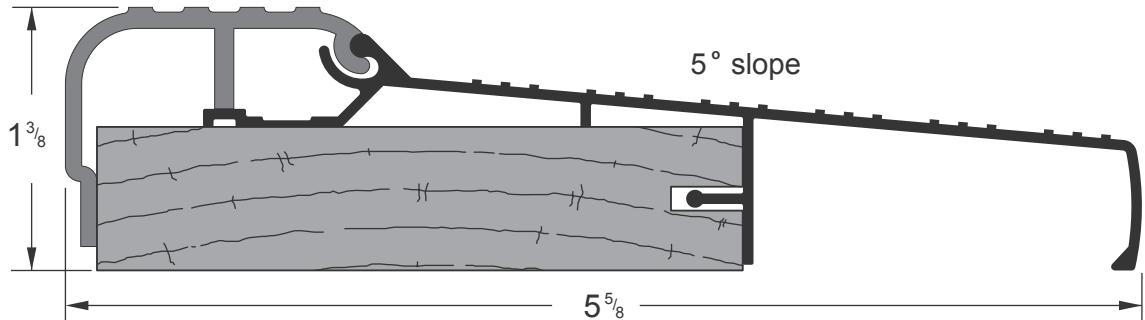
A, B



Available extenders shown on page 24.

854

A, B



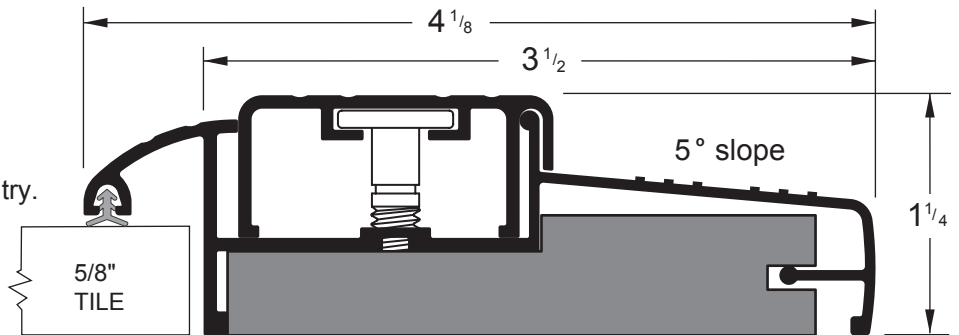
ADJUSTABLE ALL ALUMINUM THRESHOLDS

COMPOSITE OR WOOD SUBSTRATE AVAILABLE
Adjustable from 1-1/4" to 1-1/2" in height.

804

A, B

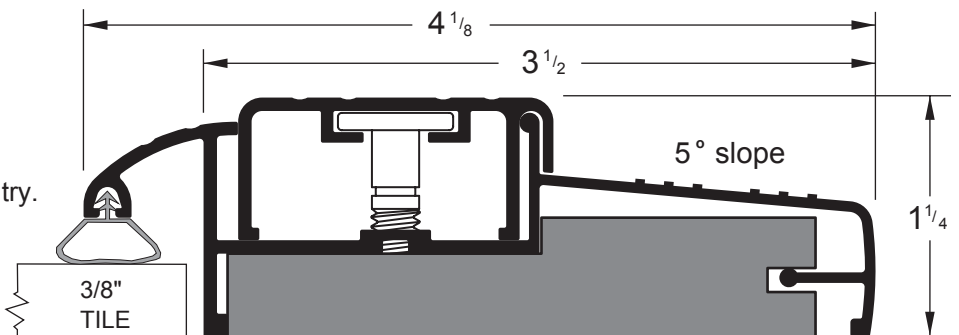
Designed specifically for 5/8" tile entry.



805

A, B

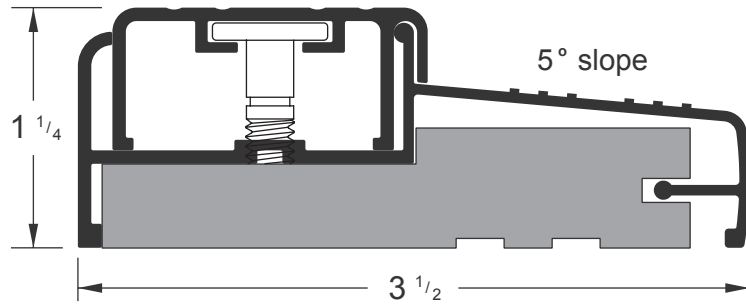
Designed specifically for 3/8" tile entry.



NOTE: Parts 804 & 805 are available in a tall cap version. Order as 904 & 905; which adjust from 1-3/8" to 1-5/8" in height.

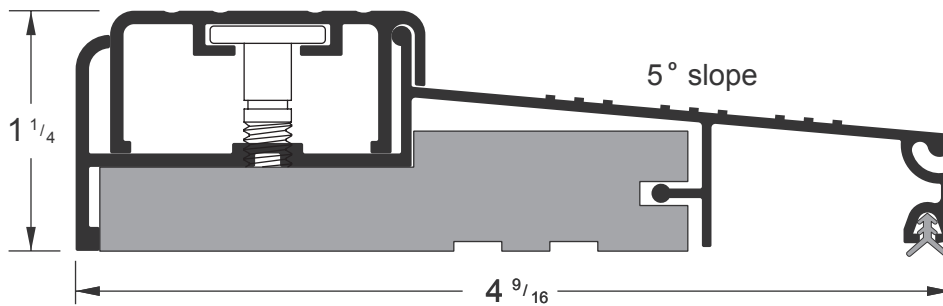
827

B, S



847

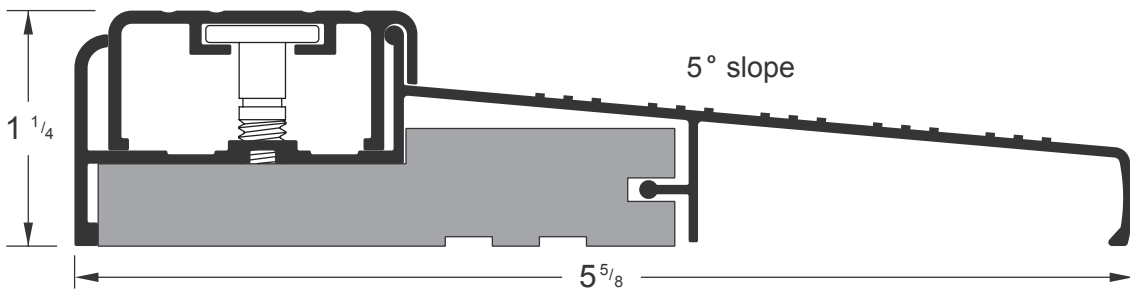
B, S



Available extender shown on page 24.

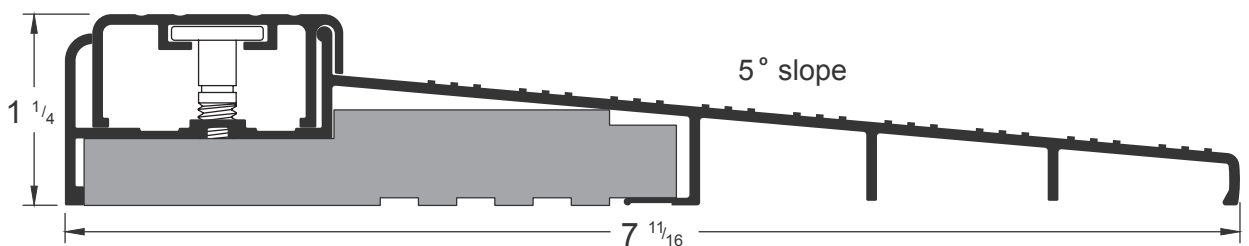
857

B, S



877

B, S



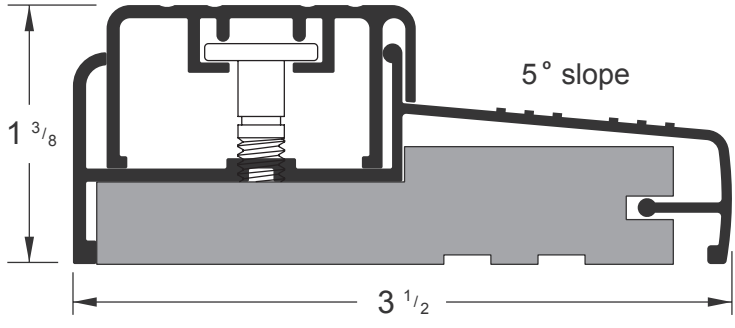
THIS DRAWING NOT TO SCALE

TALL CAP ADJUSTABLE ALL ALUMINUM THRESHOLDS

COMPOSITE OR WOOD SUBSTRATE AVAILABLE
Adjustable from 1-3/8" to 1-5/8" in height.

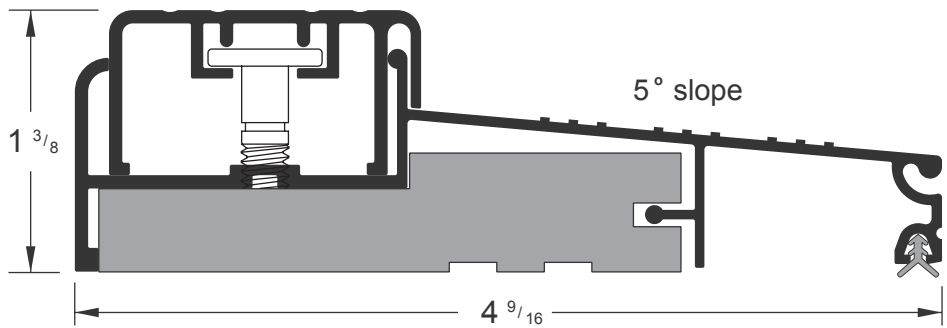
927

B, S



947

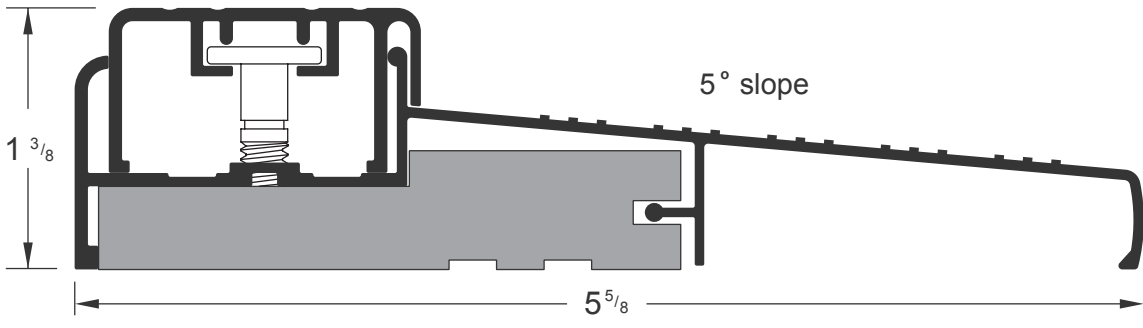
B, S



Available extender shown on page 24.

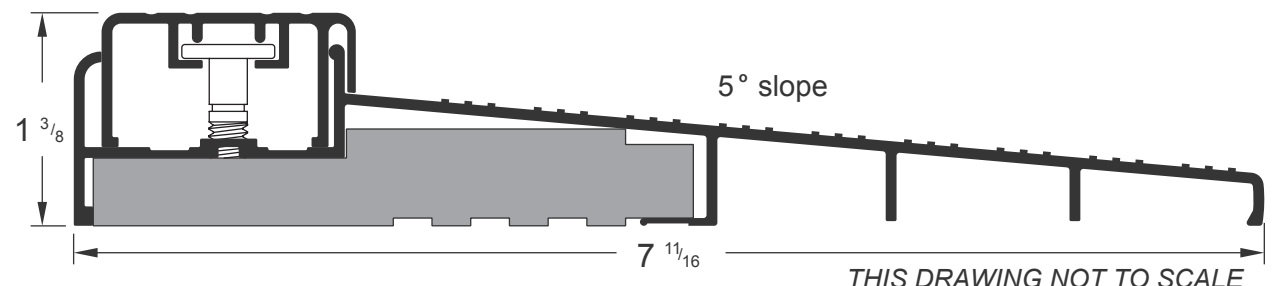
957

B, S



977

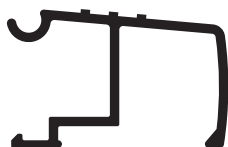
B, S



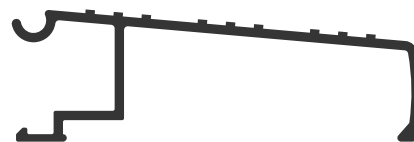
SILL EXTENDERS

Only for use with part # 850.

832 1"
A, PG



831 2"
A, B, PG



853 3"
A, B, PG



Only for use with parts # 542, 822, 835, 842, 845, 847, 852, & 947.

836 2"
A, B



RE-USABLE PVC PROTECTIVE COVERS

3727

For 3-1/2"
Thresholds



Section 7 OUT-SWING DOOR THRESHOLDS

Standard Sizes (Product is cut oversize to allow "cutting in"): 30", 32", 36", 42", 48" (cut 3/8" over); 60", 64", 72" (cut 1" over). Other lengths are available. (Extra cost over 73")
Routed thresholds (page 14)

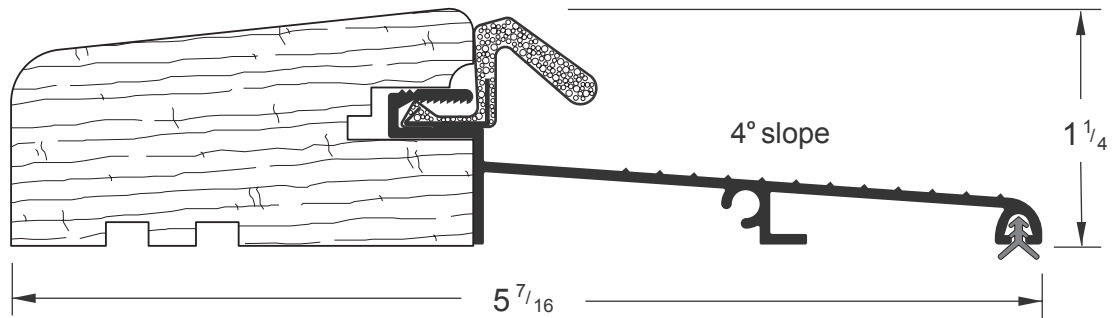
and specified lengths are cut exact. Center holes are counter-sunk. #10 phillips flathead screws of appropriate length are included. ▽ Indicates location of standard fastener hole.

Standard bumper seal is Santoprene® (#9032T). Optional seals (see page 41).

HARDWOOD & ALUMINUM OUTSWING

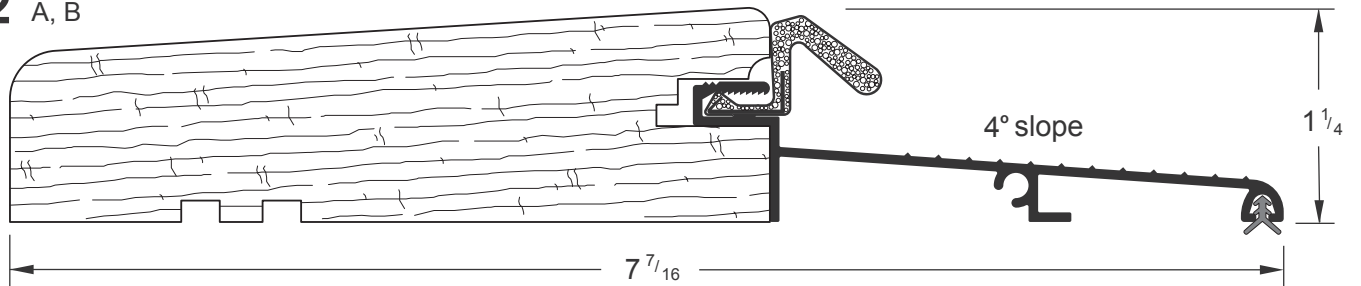
PLEASE NOTE:
 "Outswing" Astra-Bolt on page 42

410 A, B



For glue-down or nail-on applications.

412 A, B



For glue-down or nail-on applications.

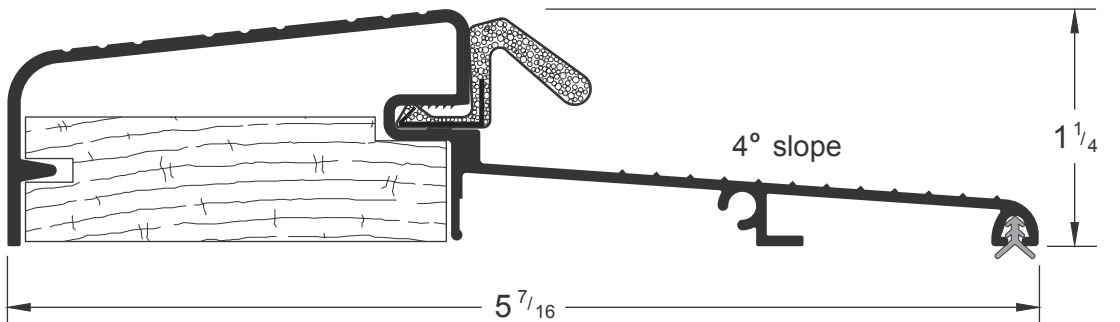
THIS DRAWING NOT TO SCALE

ALL ALUMINUM OUTSWING

415 A, B



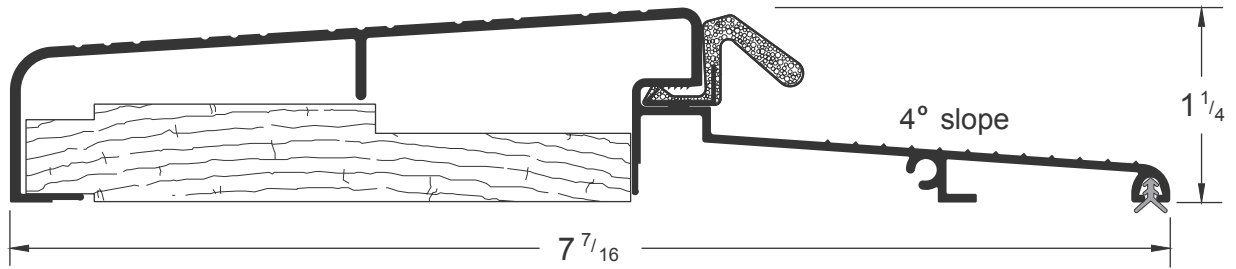
Wood substrate only.



Full length insert for glue-down or nail-on applications.

417 A, B

Wood or Composite substrate.



Full length insert for glue-down or nail-on applications.

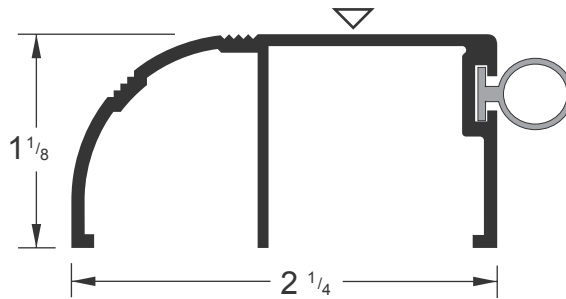
THIS DRAWING NOT TO SCALE

OUTSWING BUMPER THRESHOLDS

428 A, B



Extra high bumper threshold. 10 x 2" phillips flathead screws are included.

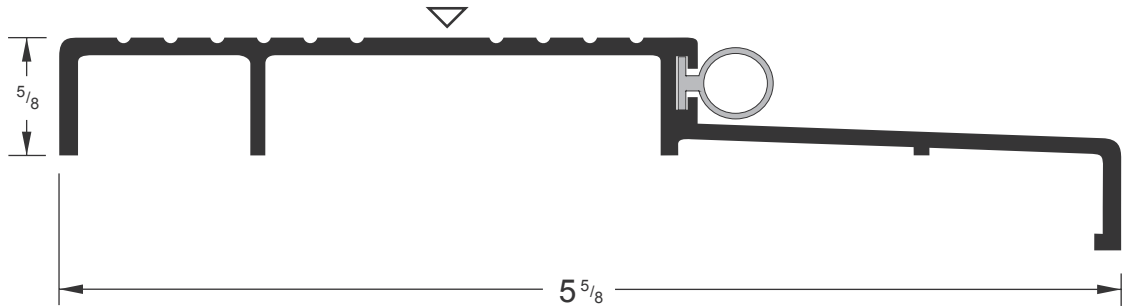


470 A, B



Bumper threshold.

10 x 1-1/2" phillips flathead screws are included.

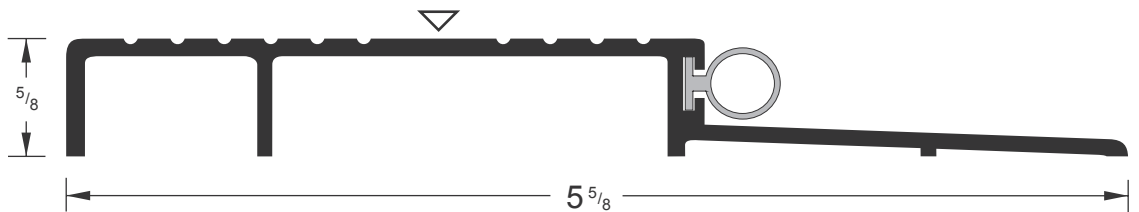


471 A, B



Bumper threshold for continuous level floor

10 x 1-1/2" phillips flathead screws are included.

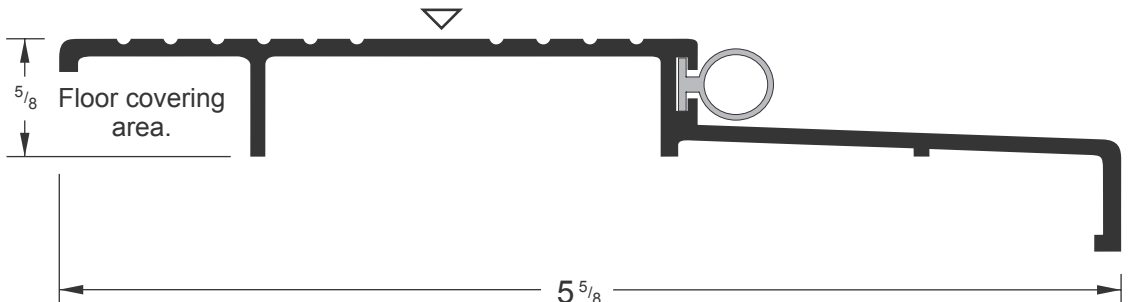


472 A, B



Bumper threshold will allow for floor covering.


10 x 1-1/2" phillips flathead screws are included.



Section 8 COMMERCIAL SADDLE THRESHOLDS

Standard Sizes (Product is cut oversize to allow "cutting in"): 30", 32", 36", 42", 48" (**cut 1/2" over**); 60", 64", 72" (**cut 1" over**).
Other lengths are available (Extra cost over 73").

Routed thresholds (page 31) and specified lengths are cut exact.
 Center holes are counter-sunk.
#10 phillips flathead screws of appropriate length are included.
 Nominal min. wall thickness 1/8"
 Tabs avail. for 1/2" saddles. (page 31)

 Barrier free design meets ADA requirements.

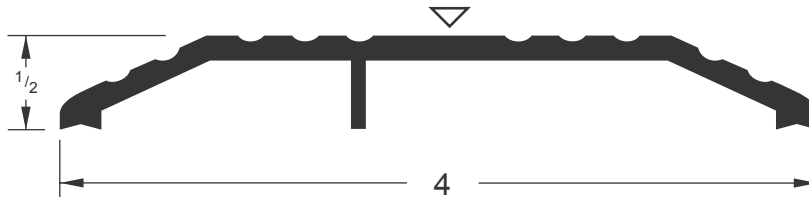
1503 A, B
 10 x 1" phillips flathead screws are included.



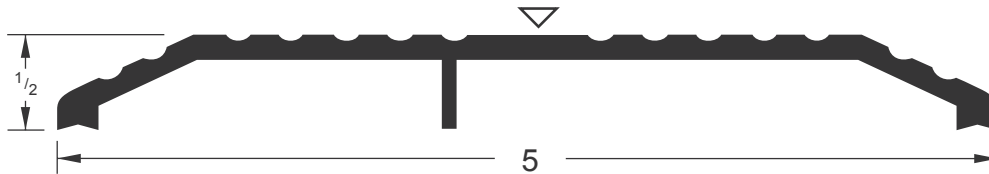
1/2" COMMERCIAL SADDLE THRESHOLDS

10 X 1-1/2" phillips flathead screws are included with parts 1504 - 1507

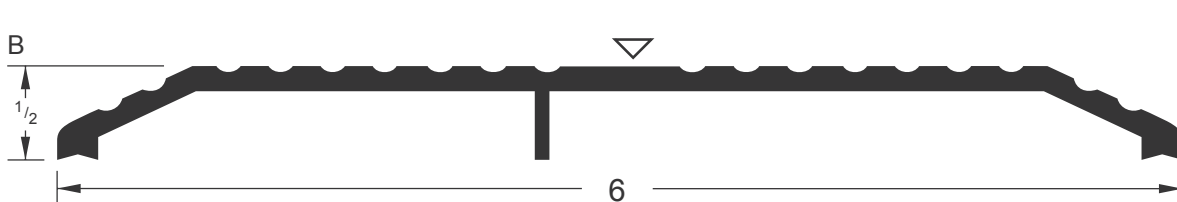
1504 A, B



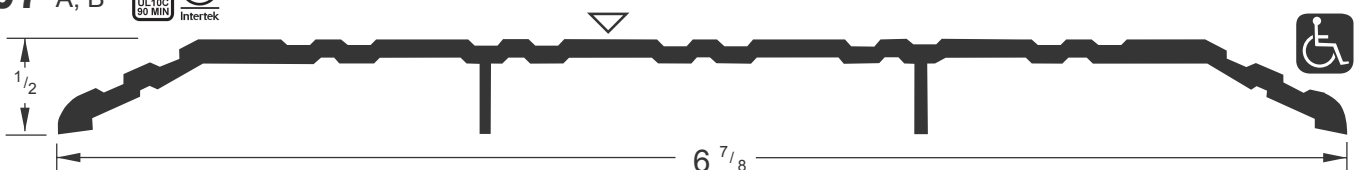
1505 A, B



1506 A, B



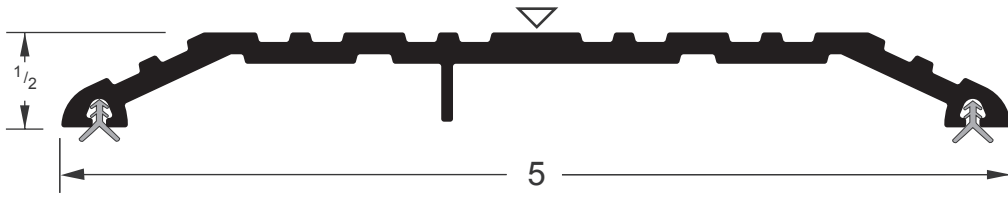
1507 A, B



HEAVY DUTY COMMERCIAL SADDLE THRESHOLDS

10 x 1-1/2" phillips flathead screws are included.

1525 A, B



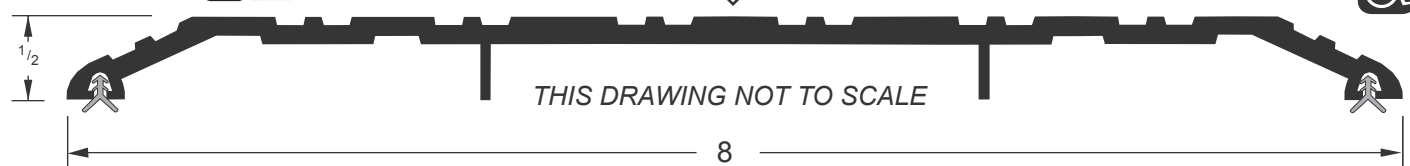
1516 A, B



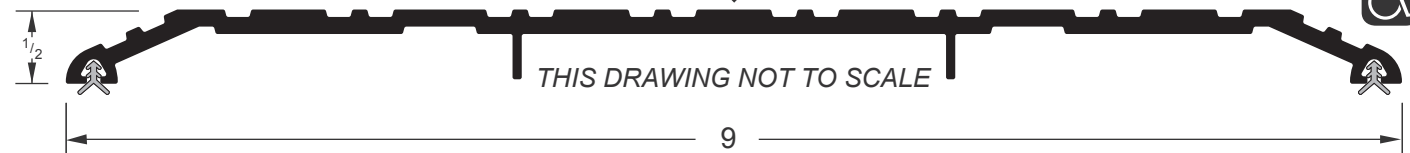
1517 A, B



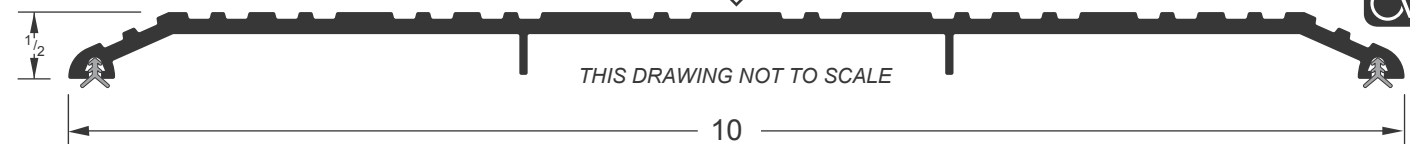
1518 A, B



1509 A, B

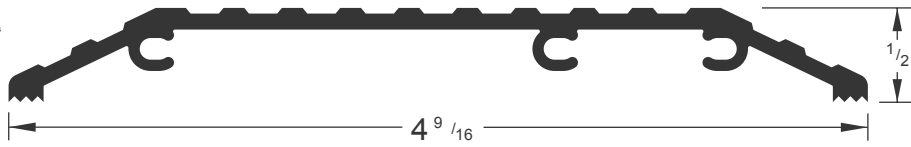


1520 A, B

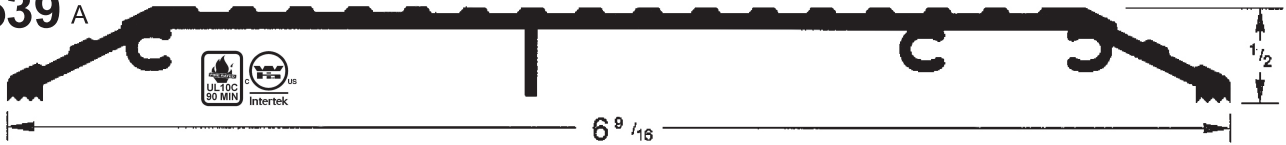


SADDLE THRESHOLDS WITH SCREW BOSS

1529 A, B



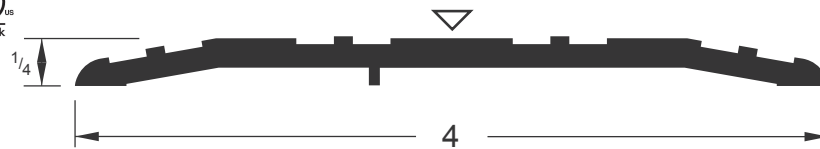
1539 A



1/4" COMMERCIAL SADDLE THRESHOLDS

10 X 1" phillips flathead screws are included.

1544 A, B



1545 A, B



1546 A, B



1547 A, B

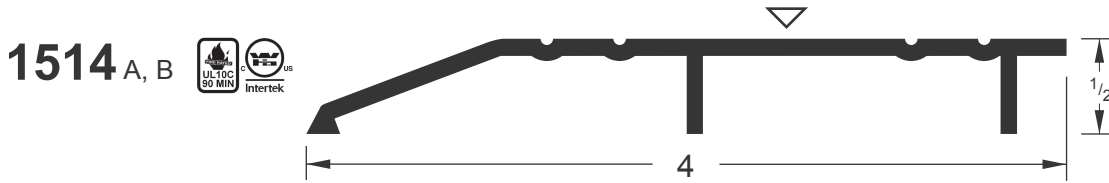
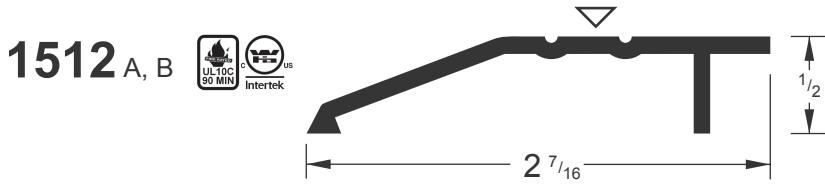


1548 A, B

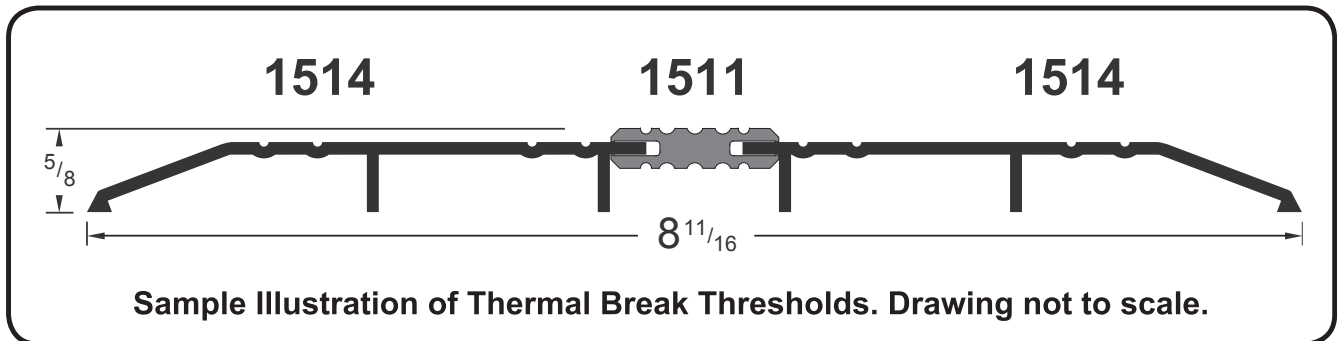


THERMAL BREAK SADDLE THRESHOLDS

10 x 1-1/2" phillips flathead screws are included.



Black rigid vinyl thermal break connector to join saddles.

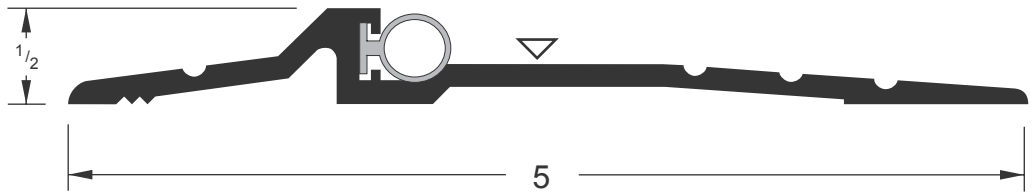


1522 A, B



PANIC exit bumper threshold. Handicapped barrier-free design.

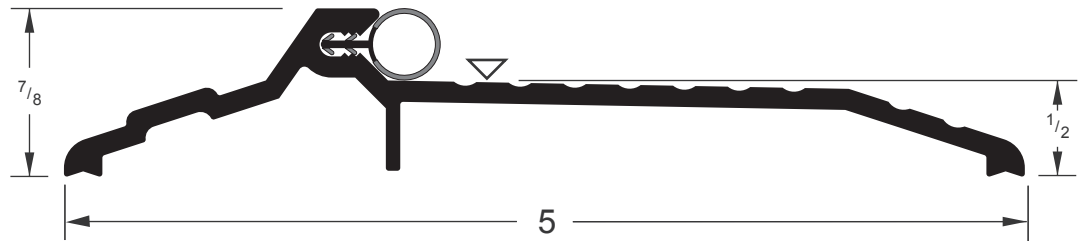
10 x 1" phillips flathead screws are included.



1523 A, B



10 X 1 1/2" phillips flathead screws are included.

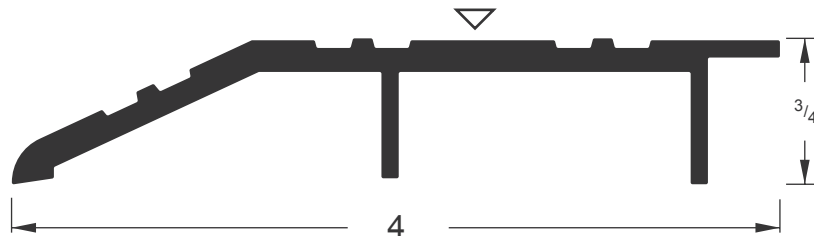


HALF SADDLE

1564 A, B



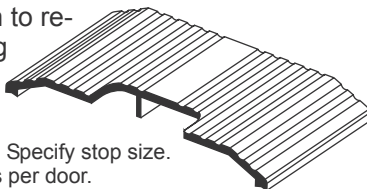
10 x 2" phillips flathead screws are included.



▽ Indicates location of standard fastener hole.

ROUT FOR METAL/MORTISED FRAMES

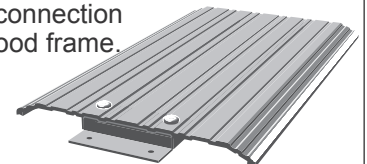
(RMF) A milling operation to remove aluminum, enabling the threshold to be "dropped" into place.



Order: Exact length required. Specify stop size.
Holes: Three (3) center holes per door.

TABS

Tabs can be attached to 1/2" commercial saddle thresholds to facilitate the connection between thresholds and wood frame.



Order: Exact length required.
Holes: No center hole.

Section 9 JAMB WEATHERSTRIP

Standard Sizes 30", 32", 36", 60" 72", 80", 84". Aluminum weather-strip is cut **1/4" over**.
Other lengths are available and cut exact (Extra cost over 84").

and 72" x 84". **Jamb-type weatherstrip may be ordered in three piece sets or individual lengths.**

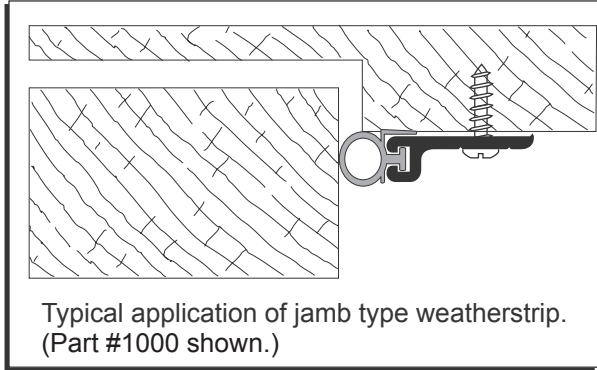
Fasteners holes are slotted for close adjustment in most styles. #6 phillips, stainless steel sheet metal screws are provided with these products.

Standard Sets: 32" x 80", 36" x 80", 72" x 80", 32" x 84", 36" x 84",

Self drilling sheet metal screws are available at extra cost.

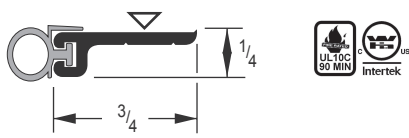
JAMB-TYPE WEATHERSTRIP

NOTE:
 Santoprene® bulb seal (black) is available as an option for vinyl on parts **1000 & 3212**.
 Special requirements on the job may call for this advanced seal.
 Some problems regarding a sticking reaction between certain paints and vinyl have been eliminated with the use of Santoprene®.

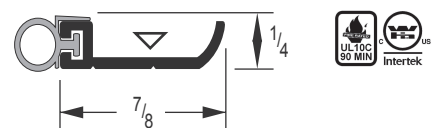


Typical application of jamb type weatherstrip. (Part #1000 shown.)

1000 A, B, PG, W



3212 A, B, W

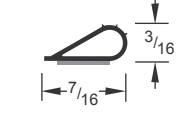


Jamb-type weatherstrip, with black vinyl bulb seal. Slotted holes for ease in adjustment.
 #6 X 5/8" SMS provided.

▽ Indicates location of standard fastener hole.

ADHESIVE BACKED DOOR SEAL

1830 **SANTOPRENE® RUBBER**
 For use with either 1/2" or 5/8" stop. Adhesive backed, extruded Santoprene® rubber, an advanced product from Monsanto. Provides outstanding engineering properties in UV stability and flame retardance. Service temperature from -81 to +275 degrees F.



WOODSTOP GASKETING AND SOUND SEALS

Installs into saw kerf in applied wood stops or center kerfed mortised jambs.

9021 **Schlegel AP-412 Aptus® TPE**
 bulb 5/16" dia. dual durometer with slipcoat bulb surface. 1000' / roll
 Color: Beige
 Kerf: 5/64" x 5/16"

9024 **Vinyl bulb**
 1/4" dia. 600' / roll
 Colors: Black and White
 Kerf: 1/8" x 5/16"

9023 **Vinyl three finger**
 5/16" wide 500' / roll
 Color: Gray
 Kerf: 1/8" x 5/16"

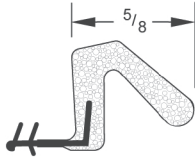
FOAM WEATHERSTRIP

1650

			Box Qty.
1650B	82"	Brown	125
1650D	82"	Black	125
1650W	82"	White	125
1651B	97"	Brown	125
1651D	97"	Black	125
1651W	97"	White	125
1652B	120"	Brown	125
1656B	250'	RL Brown	
1656D	250'	RL Black	

Tolerance +/- 1"

(Sold by full box or by piece, broken box premium applies).



Intertek
 Certified to
 UL10(c)
 NFPA 252
 CAN/ULC
 S104

FenSeal DSFC-650K126 FenShield KERF TYPE DOOR SEAL

Certified fire rated for 20 minutes by Intertek Services.

Inserts easily to seal the strike side, hinge side, and header.

FenShield door seal is made of resilient urethane foam core, clad in a durable polyethylene skin, with a structural polypropylene spine.

Has 5/8" reach. Resilient characteristics conform seal to warped doors. Consistently returns back to its original shape after compression.

Width of barb - .162"

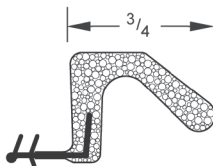
Requires 1/8" x 7/16" kerf in stop. (If rabbeted jamb is used, allow for depth of 2-1/8". If applied stop is used, adjust for compression of seal.)

1687

			Box Qty.
1687B	97"	Brown	125
1687D	97"	Black	125

Tolerance +/- 1"

(Sold by full box or by piece, broken box premium applies).



Intertek
 Certified to
 UL10(c)
 NFPA 252
 CAN/ULC
 S104

FenSeal DSFC-740K162 FenShield KERF TYPE DOOR SEAL

Certified fire rated for 20 minutes by Intertek Services.

Inserts easily to seal the strike side, hinge side, and header.

FenShield door seal is made of resilient urethane foam core, clad in a durable polyethylene skin, with a structural polypropylene spine.

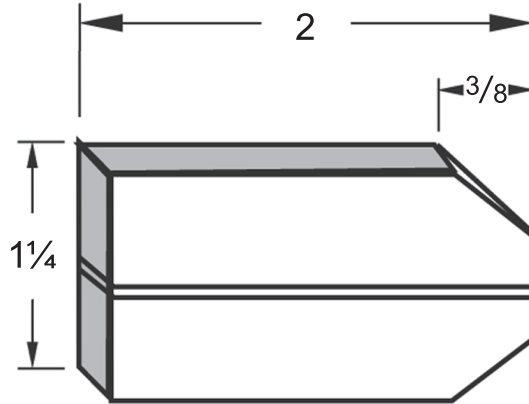
Has 3/4" reach. Resilient characteristics conform seal to warped doors. Consistently returns back to its original shape after compression.

Width of barb - .162"

Requires 1/8" x 7/16" kerf in stop. (If rabbeted jamb is used, allow for depth of 2-1/8". If applied stop is used, adjust for compression of seal.)

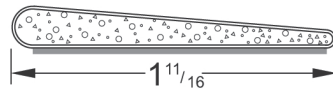
1825

1825D Black
Corner Seal-
 Adhesive backed,
 pile corner seal
 with fin seal.
 Effective against
 water infiltration.



1826 B, W

**Compression
 Corner Seal-**
 For installation on strike jamb
 and hinge jamb sill corners.



1835 B, W

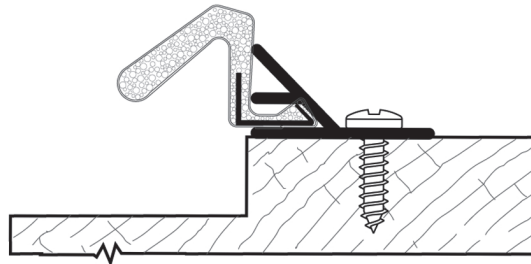
SPECIAL ORDER
ALUMINUM EXTRUSION
JAMB SEAL SET (36" X 84")

Features:

Weatherstrip can be replaced
 without removing holder from the jamb.

Slotted mounting holes allow for
 easy adjustment.

Color-matched mounting screws provided.



1951

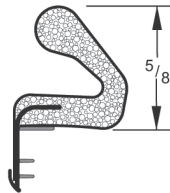
**Box
 Qty.**

1951B 97" Brown 125

1951W 97" White 125

Tolerance +/- 1"

(Sold by full box or by piece,
 broken box premium applies).



LOXCREEN 9650 LOXSEAL® HIGH PERFORMANCE WEATHERSTRIP

Fire rated by Warnock Hersey, Inc. for 90 minutes (per **ASTM E-152**).

Inserts easily to seal the strike side, hinge side, and header.

LoxSeal® weatherstrip made of polyethylene clad urethane foam.

Requires 1/8" X 7/16" kerf in stop.

Passed air infiltration test at 25 mph (per **ASTM E-283**).

Passed water penetration resistance (per **ASTM E-331**).

Section 10 ASTRAGALS & MEETING STILES

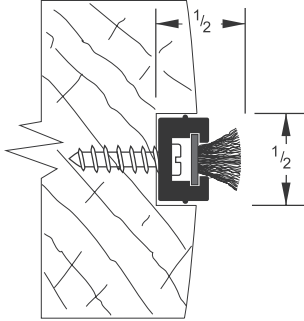
All Astragals and Meeting Stiles are cut exact.
Standard Sizes: 80" and 84" (Except as noted).

Other lengths are available and are cut exact as ordered (Extra cost over 84").

Steel Meeting Stiles are furnished with countersunk holes.

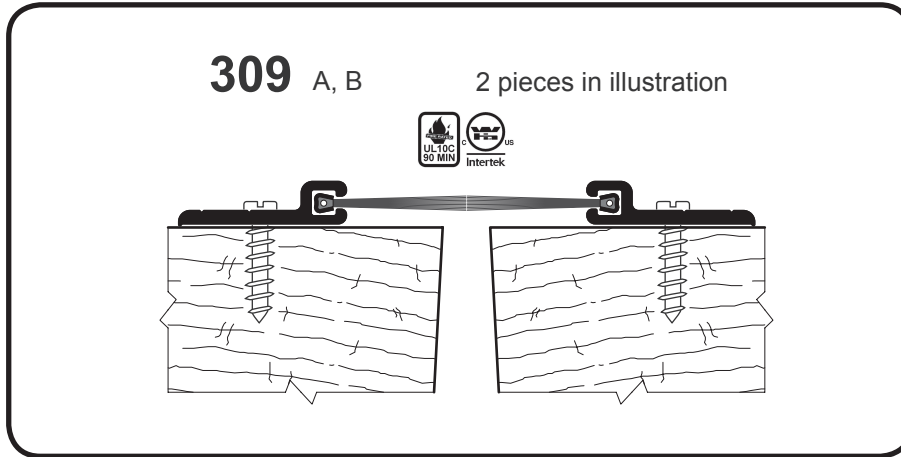
Vinyl seal is black; fasteners are provided.

1130 P



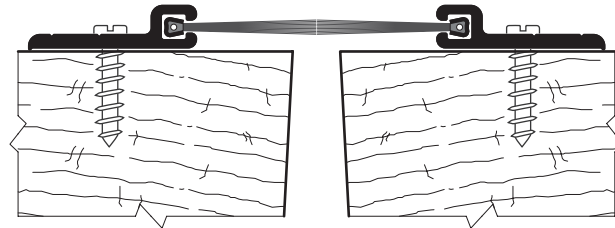
Black rigid vinyl retainer. Mortised or surface mounted for proper sealing pressure. Black pile seal (#9082) shown. Optional seals available. SMS 4 x 5/8" phillips panhead screws are provided. **84" Length.**

Optional seals:
9032T Bulb
9082 Pile (Black)
9088 Finned Pile (Black)
(See seal profiles on page 41.)

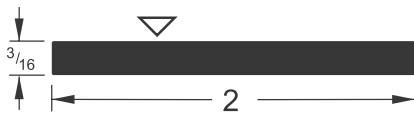


309 A, B

2 pieces in illustration

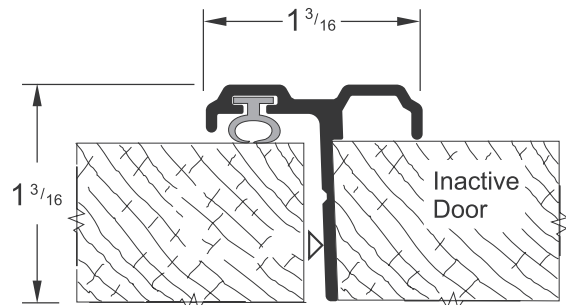


1152 P (Primed) 96" Length only



Steel meeting stile with countersunk holes. Primed finish. SMS 10 x 1" phillips flathead screws are provided.

1201 A, B, PG, W



Extruded aluminum T-Astragal. Screw nails provided.



ASTRAGAL STOP CUT OPTION

ASTRAGAL STOP CUT (ASC)
(for Parts 5000, 5400, 5450, 5475, & 5500)

Available Sizes: **7/16"**, **1/2"**, & **5/8"**

ASTRAGAL PRODUCTS FOR 1-3/4" IN-SWING DOORS

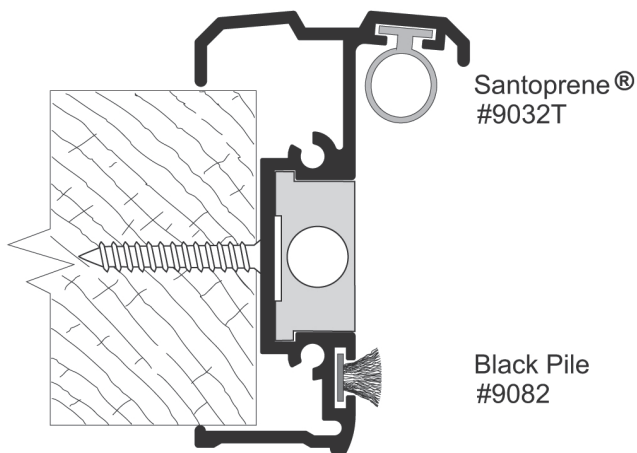
Standard Features for Astra-Bolts®

- 1) Hardware pack includes steel strike plate, installation spacers, neoprene bottom seal, escutcheon plate for header, fasteners and full instructions.
- 2) Seal materials of Santoprene®, vinyl, or pile as noted.
- 3) Steel bolts 5/16" diameter.
- 4) All astragals are field handed and can be field trimmed to size.
- 5) Dead bolt punch out and trim plate with spacers are available or included, as noted.
- 6) Trim strips, trim plates, strike plates and accessories in black color or black finish.
- 7) Accommodates heavy reveal on newer doors.
- 8) Special sizes available.

Astra-Bolt® is a registered trade name for Combo Aluminum Product's Double Door Astragals.

5000 ASTRA-BOLT

B, S, W



This astragal has all of the standard features of other Combo Astra-Bolts, plus the C-index plate. This plate is an integral part of the lock mechanism which enables the bolt to function correctly when the astragal length has been field trimmed.

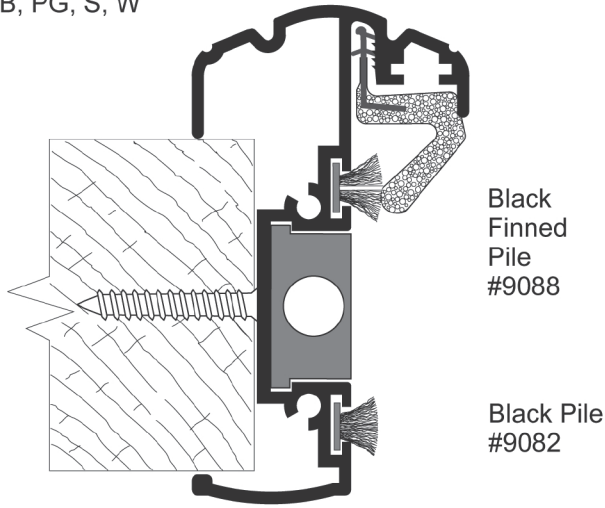
Specific Features:

- 1) **22" bolt units** with spring detent,
- 2) Double seal at exterior and interior location,
- 3) Requires **1/2"** space between doors (plus clearance),
- 4) Surface mount,
- 5) Includes bottom seal and top escutcheon plate.

Options: 8" Dead bolt punch out
 Dead bolt trim pack (trim plate and spacers)
 Pile seals (#'s 9082 and 9088)

5400 ASTRA-BOLT

B, PG, S, W



**TRIPLE WEATHERSTRIP SEAL
and
22" LOCKING BOLTS**

Features:

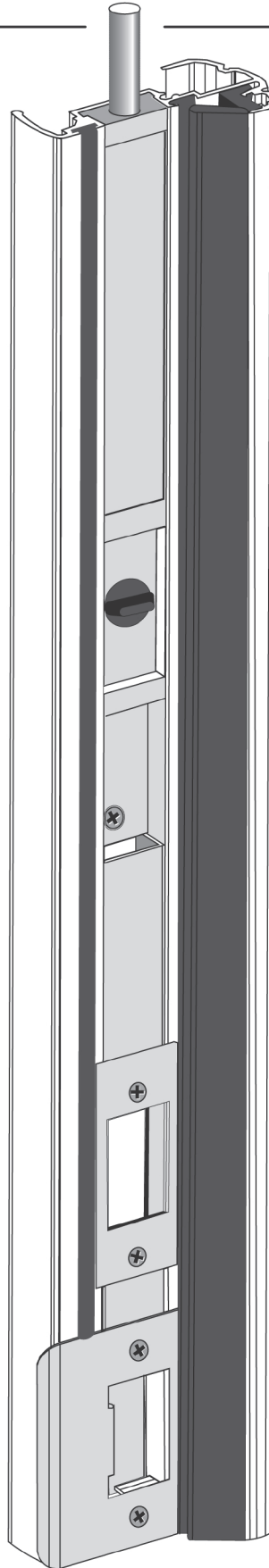
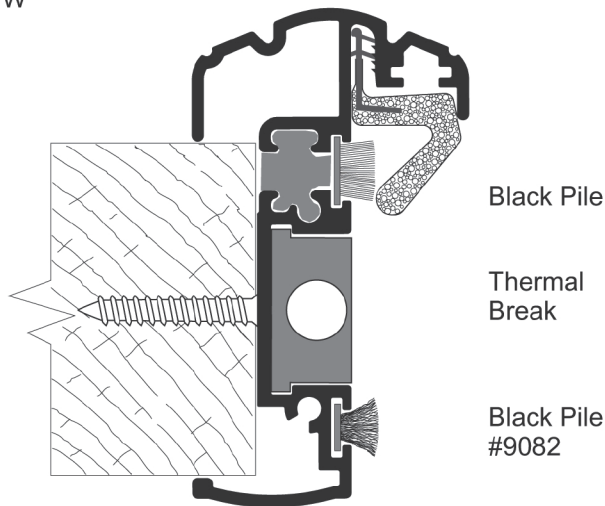
- 1) Accepts doors with heavy reveal,
- 2) Field handed, can be field trimmed,
- 3) Full strike plate & dead bolt trim plate,
- 4) Dead bolt punch out for ease of installation,
- 5) Escutcheon plate for head,
- 6) Thermoplastic bottom seal.

For in-swing doors only

1/2" space between doors plus clearance.

5450 THERMAL-BREAK ASTRA-BOLT

W



THIS DRAWING NOT TO SCALE

PATENT 6457751
(Bolt Assembly)

22 INCH SPRING
DETENT POSITIVE
ACTION BOLT UNIT
TOP & BOTTOM

QUARTER-TURN
RED KNOB FOR
ADDED SECURITY

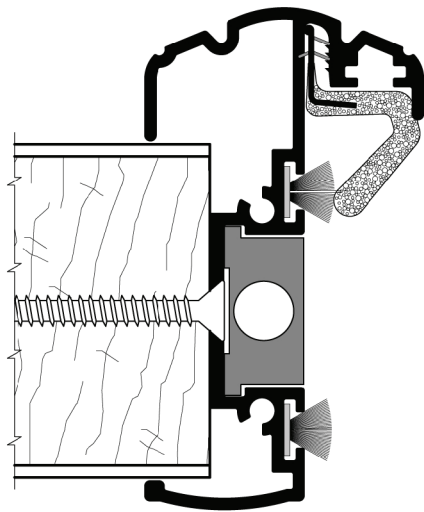
INCLUDES 8"
PUNCH OUTS FOR
DEAD BOLT
(TWO ON 96"+)

DEAD BOLT TRIM
PLATE

FULL STRIKE
PLATE

5475 HURRICANE-RATED ASTRA-BOLT

B, PG, S



Black
Finned
Pile
#9088

Black Pile
#9082

Features:

- 1) 5/16" dia hardened steel pin,
- 2) 22" spring detent positive action bolt unit top & bottom (Patent #6457751),
- 3) 2 heavy duty escutcheon plates for top and bottom.

Additionally:

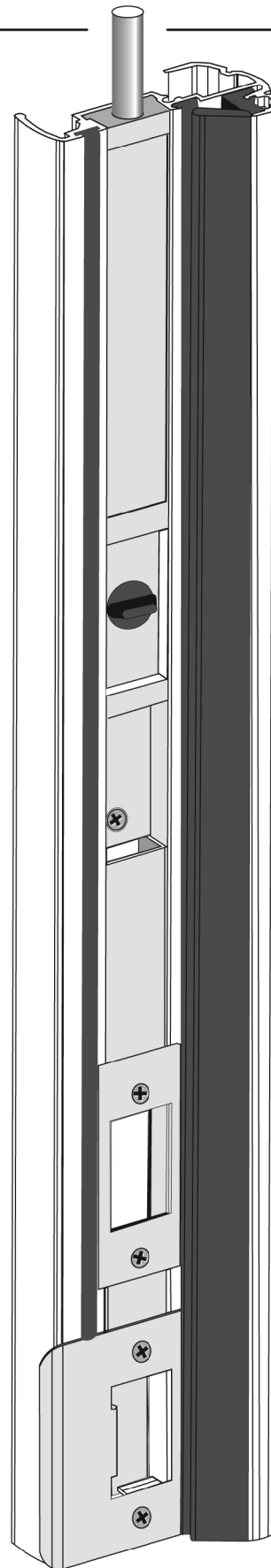
Field handed, can be field trimmed,
Thermoplastic bottom seal provided,
Fasteners included.

For in-swing doors only

1/2" space between doors
plus clearance.



THIS DRAWING NOT TO SCALE



PATENT 6457751
(Bolt Assembly)

5/16" DIAMETER
HARDENED
STEEL PIN

22 INCH SPRING
DETENT POSITIVE
ACTION BOLT UNIT
TOP & BOTTOM

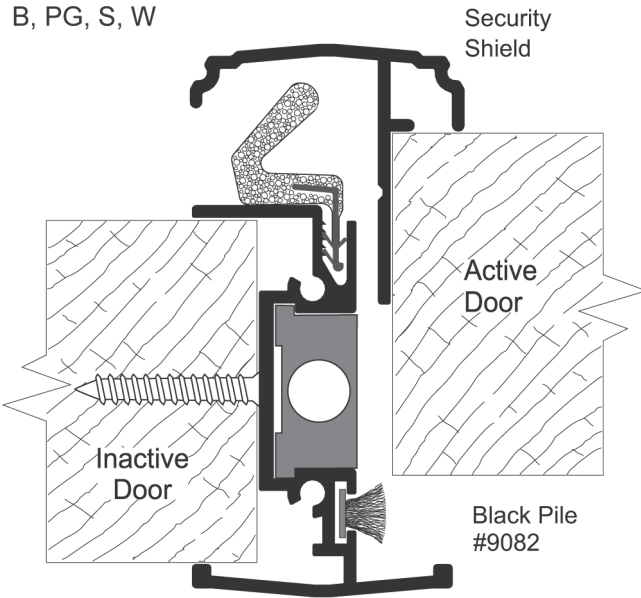
QUARTER-TURN
RED KNOB FOR
ADDED SECURITY

DEAD BOLT TRIM
PLATE

FULL STRIKE
PLATE

ASTRA-BOLT FOR OUT-SWING DOORS

5500
B, PG, S, W



This COMBO two piece astragal is for:
1-3/4" OUT-SWING DOORS

Features:

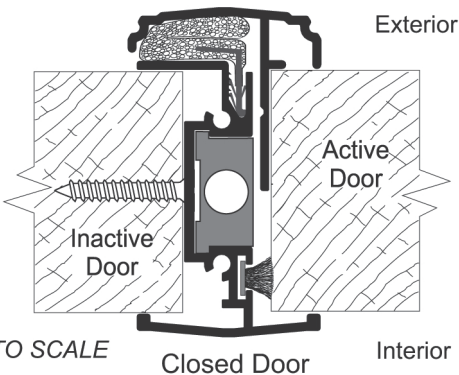
For The Active Door:

Extruded aluminum Security Shield (screw nails provided).

Option: Drill and countersink holes on shield with screws provided.

For The Inactive Door:

Field handed, can be field trimmed, Full strike plate & dead bolt trim plate, Dead bolt punch out for ease of installation, Escutcheon plate for head, Spacing requirements: 1/2" for astragal and 1/16" for security shield, plus clearance.



NOT TO SCALE

Closed Door

22 INCH SPRING
DETENT POSITIVE
ACTION BOLT UNIT
TOP & BOTTOM

QUARTER-TURN
RED KNOB FOR
ADDED SECURITY

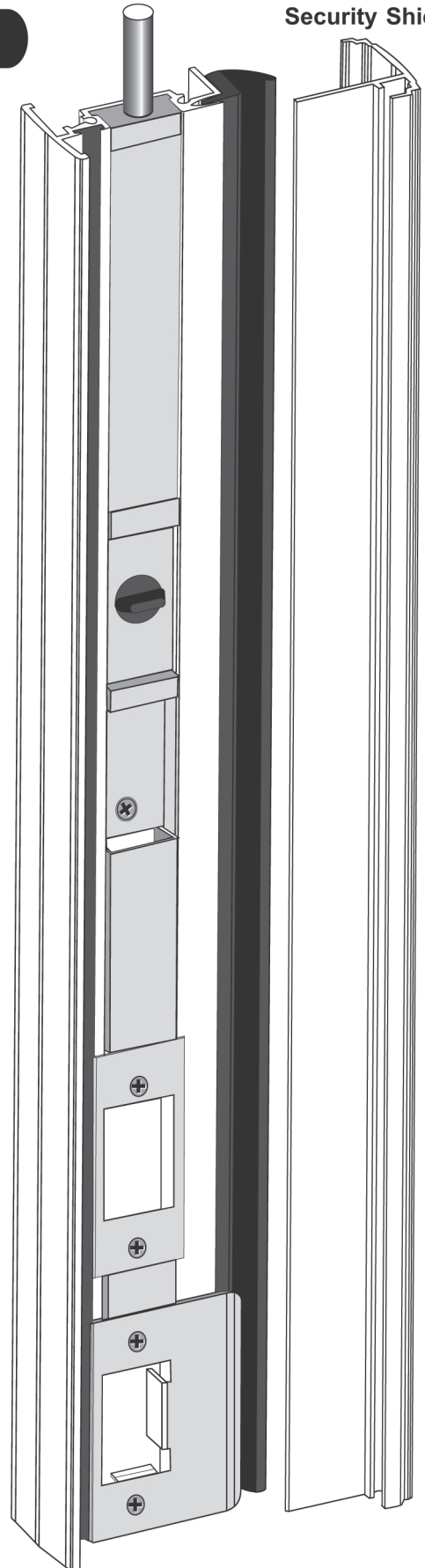
INCLUDES 8"
PUNCH OUTS
FOR DEAD BOLT
(TWO ON 96"+)

DEAD BOLT
TRIM PLATE

FULL STRIKE
PLATE

PATENT 6457751
(Bolt Assembly)

Security Shield

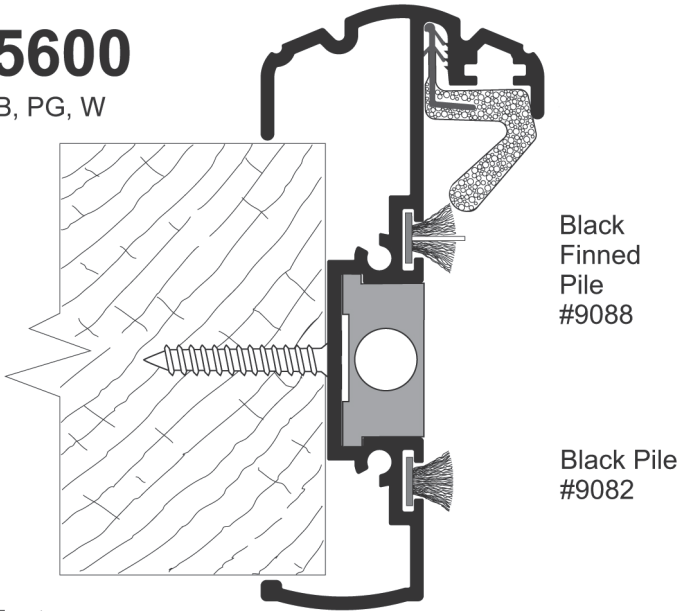


THIS DRAWING NOT TO SCALE

ASTRA-BOLT FOR 2-1/4" IN-SWING DOORS

5600

B, PG, W



Features:

- 1) Accepts doors with heavy reveal,
- 2) Field handed, can be field trimmed,
- 3) Full strike plate & dead bolt trim plate,
- 4) Dead bolt punch out for ease of installation,
- 5) Escutcheon plate for head,
- 6) Thermoplastic bottom seal.

For in-swing doors only

1/2" space between doors plus clearance.



PATENT 6457751
(Bolt Assembly)

22 INCH SPRING
DETENT POSITIVE
ACTION BOLT UNIT
TOP & BOTTOM

QUARTER-TURN
RED KNOB FOR
ADDED SECURITY

INCLUDES 8"
PUNCH OUTS FOR
DEAD BOLT
(TWO ON 96"+)

DEAD BOLT TRIM
TRIM PLATE

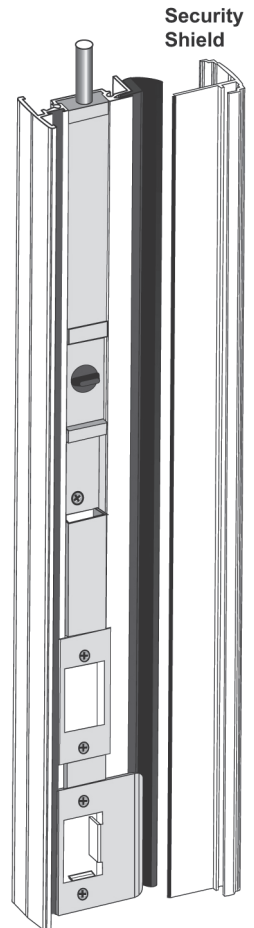
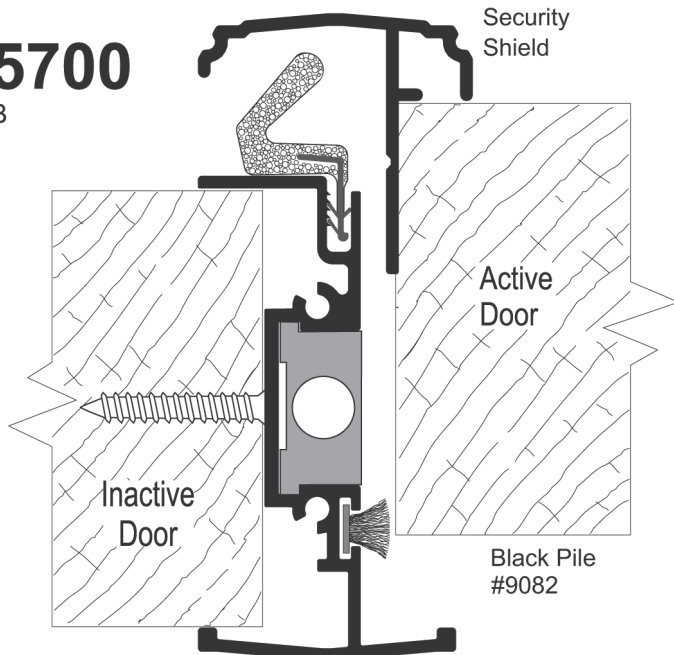
FULL STRIKE
PLATE

THESE DRAWINGS NOT TO SCALE

ASTRA-BOLT FOR 2-1/4" OUT-SWING DOORS

5700

B



22 INCH SPRING
DETENT POSITIVE
ACTION BOLT UNIT
TOP & BOTTOM

QUARTER-TURN
RED KNOB FOR
ADDED SECURITY

INCLUDES 8"
PUNCH OUTS FOR
DEAD BOLT
(TWO ON 96"+)

DEAD BOLT TRIM
TRIM PLATE

FULL STRIKE
PLATE





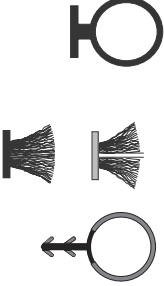


PATENT 6457751
(Bolt Assembly)

PRODUCTS ARE SHOWN ACTUAL SIZE
(EXCEPT AS NOTED)

COMBO ALUMINUM PRODUCTS, EL CAJON, CA
Tel (619) 447-9200 (800) 457-7500 Fax (619) 442-4558

Section **11** **REPLACEMENT SEAL INSERTS**

IDENTIFICATION GUIDE

INSERT	SEAL PART #	PRODUCT USE / #
 <p>THIS DRAWING NOT TO SCALE</p>	<p>9009V- PVC Seal (Dual-Durometer)</p>	<p>DOOR BOTTOMS</p> <p>249 All 1-3/4" Door Bottoms (except 255) All 2-1/4" Door Bottoms</p>
	<p>9010V- Double vinyl (2 pieces / door bottom)</p>	<p>DOOR BOTTOMS / T-ASTRAGALS</p> <p>100 150 200 220 222 224 250 255 256 260 280 1201</p>
	<p>9011V- Wide Finger vinyl</p>	<p>101 151 201 221 223 225 251 257 261 281</p>
	<p>9012V- Leg Vinyl</p>	<p>THRESHOLDS</p> <p>300 322 332 341 410 412 542 822 835 836 842 845 850 852 1509 1516 1517 1518 1520 1525 3007 3008 3017</p>
	<p>9032T- Bumper Seal (Santoprene®) standard</p> <p>Pile inserts: 9082 .290 Hght. Black 9088 Fin .360 Hght. Black</p> <p>9034T- Bulb Seal</p>	<p>OUT-SWING DOOR THRESHOLDS</p> <p>428 470 471 472 1522</p> <p>(Also #1130 & Astragals)</p> <p>341 1523</p>
	<p>9017V - Bulb Seal 9017T - Bulb Seal (Santoprene®)</p>	<p>JAMB-TYPE WEATHERSTRIP</p> <p>1000 3212 3</p>
	<p>9008V- Finger Vinyl</p>	<p>CONCEALED SEAL / VINYL INSERT</p> <p>205, 322</p>

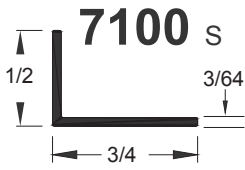
ASTRA-BOLT seals are described on pages 36 – 40.

Replacement Seal for any product may be ordered by providing the product part number.

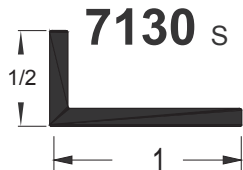
Section 12 METAL MOULDINGS & FLOOR TRIM

By  **FUTURA INDUSTRIES**

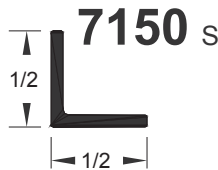
METAL MOULDING



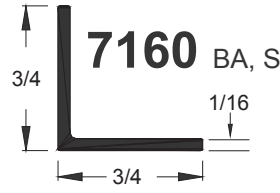
7100 S
Angle 3/4" x 1/2"
6' or 12'



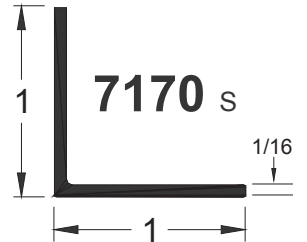
7130 S
Angle 1/2" x 1"
6' or 12'



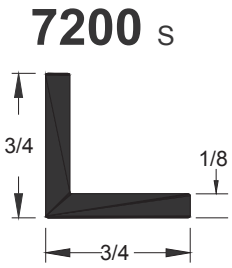
7150 S
Equal Angle 1/2" x 1/2"
6', 8', or 12'



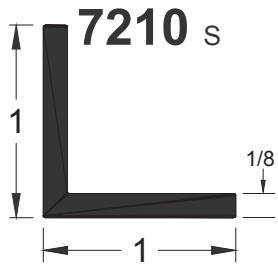
7160 BA, S
Equal Angle 3/4" x 3/4"
6', 8', or 12'



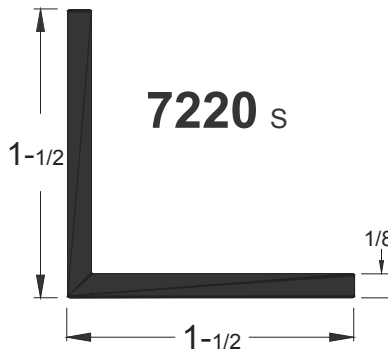
7170 S
Equal Angle 1" x 1"
6', 8', or 12'



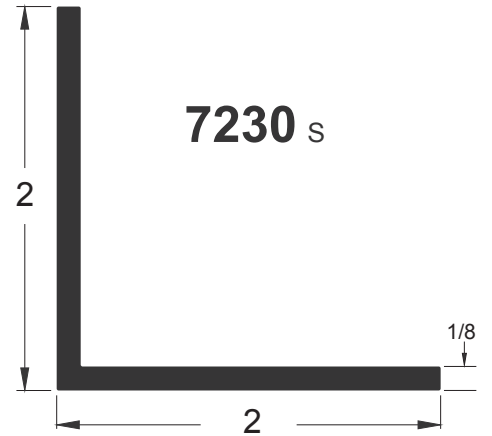
7200 S
Equal Angle 3/4" x 3/4"
6' or 12'



7210 S
Equal Angle 1" x 1"
6' or 12'

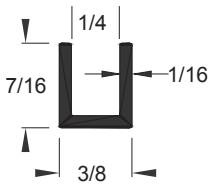


7220 S
Equal Angle 1-1/2" x 1-1/2"
6' or 12'



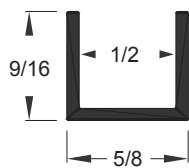
7230 S
Equal Angle 2" x 2"
6' or 12'

7300 S



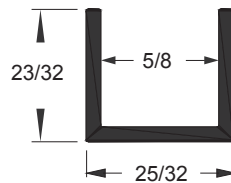
7300 S
Channel 7/16" x 1/4"
6' or 12'

7310 S



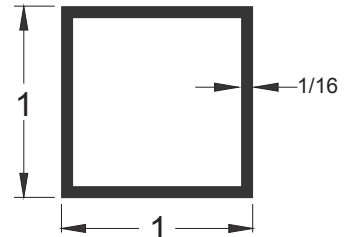
7310 S
Channel 9/16" x 1/2"
6' or 12'

7320 S



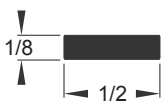
7320 S
Channel 23/32" x 5/8"
6' or 12'

7360 S



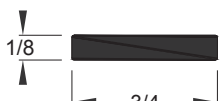
7360 S
Square Tube 1" x 1"
6' or 12'

7400 S



7400 S
Flatbar 1/2" x 1/8"
6' or 12'

7410 S



7410 S
Flatbar 3/4" x 1/8"
6' or 12'

7420 S



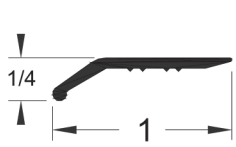
7420 S
Flatbar 1" x 1/8"
6' or 12'

7430 S

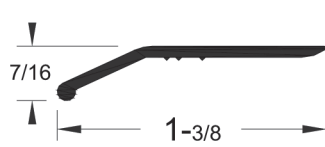


7430 S
Flatbar 1-1/2" x 1/8"
6' or 12'

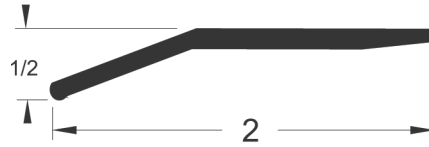
FLOOR TRIM



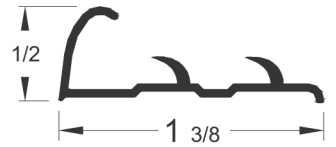
7600 A,G
Binder Bar
3', 6', or 12'



7610 A, G
Binder Bar
3', 6', or 12'



7620 A,G
Binder Bar
3', 6', or 12'



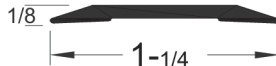
7640 A,G
Clampdown w/pins
3', 6', or 12'



7650 A,G
Pinless Clampdown
3', 6', or 12'



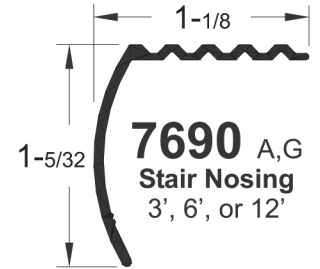
7660 G
Seam Cover
3' or 6'



7670 A, G
Seam Cover
3', 6', or 12'

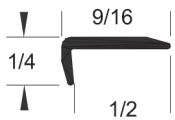


7680 A, G
Overlap Edging
3', 6', or 12'

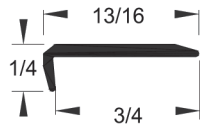


7690 A,G
Stair Nosing
3', 6', or 12'

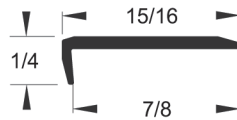
EDGE FACING & WALL BOARD TRIM



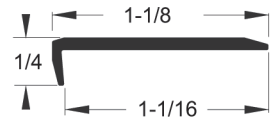
7700 BA
Plain Facing
6' or 12'



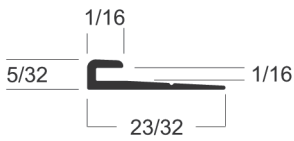
7710 BA
Plain Facing 3/4"
6' or 12'



7720 BA
Plain Facing 7/8"
6' or 12'



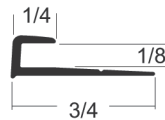
7730 BA
Plain Facing 1-1/16"
6' or 12'



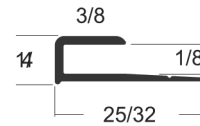
7790 A
1/16 Flat Back
6' or 12'



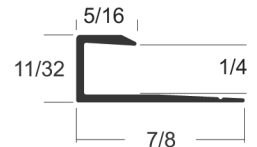
7800 A
Punched and slotted
on 2" centers
6' or 12'



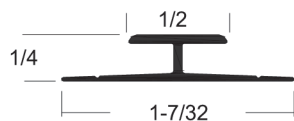
7810 A
Punched and slotted
on 2" centers
6' or 12'



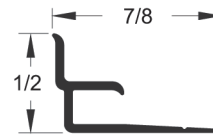
7820 BA
1/8" Cap
8'



7830 BA
1/4" Coving Cap
8'



7850 BA
1/8" Divider
8'



7880 BA
Inside Corner Cove
8'

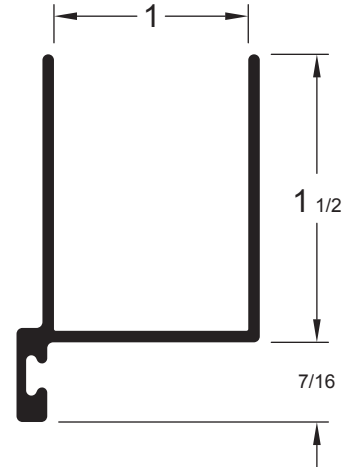
Section **13 SECURITY DOOR COMPONENTS**

ALUMINUM COMPONENTS FOR STEEL SECURITY DOORS

All parts sold at specified lengths and in box quantities only, as indicated below.
No mounting holes or fasteners provided.

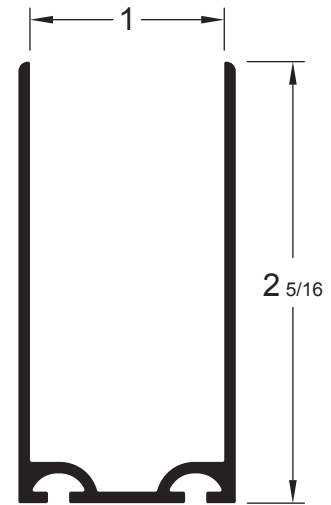
ASTRAGAL

PART NO	LENGTH	BOX QTY
6100	100"	10
6104	85"	10



EXPANDER

PART NO	LENGTH	BOX QTY
6116	52"	20
6118	38"	20



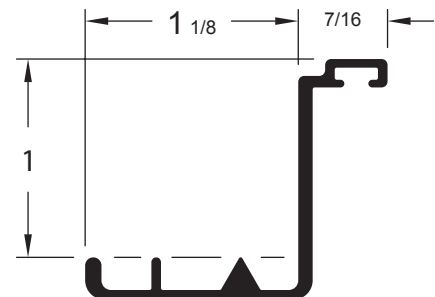
9060V
(FOR EXPANDER)



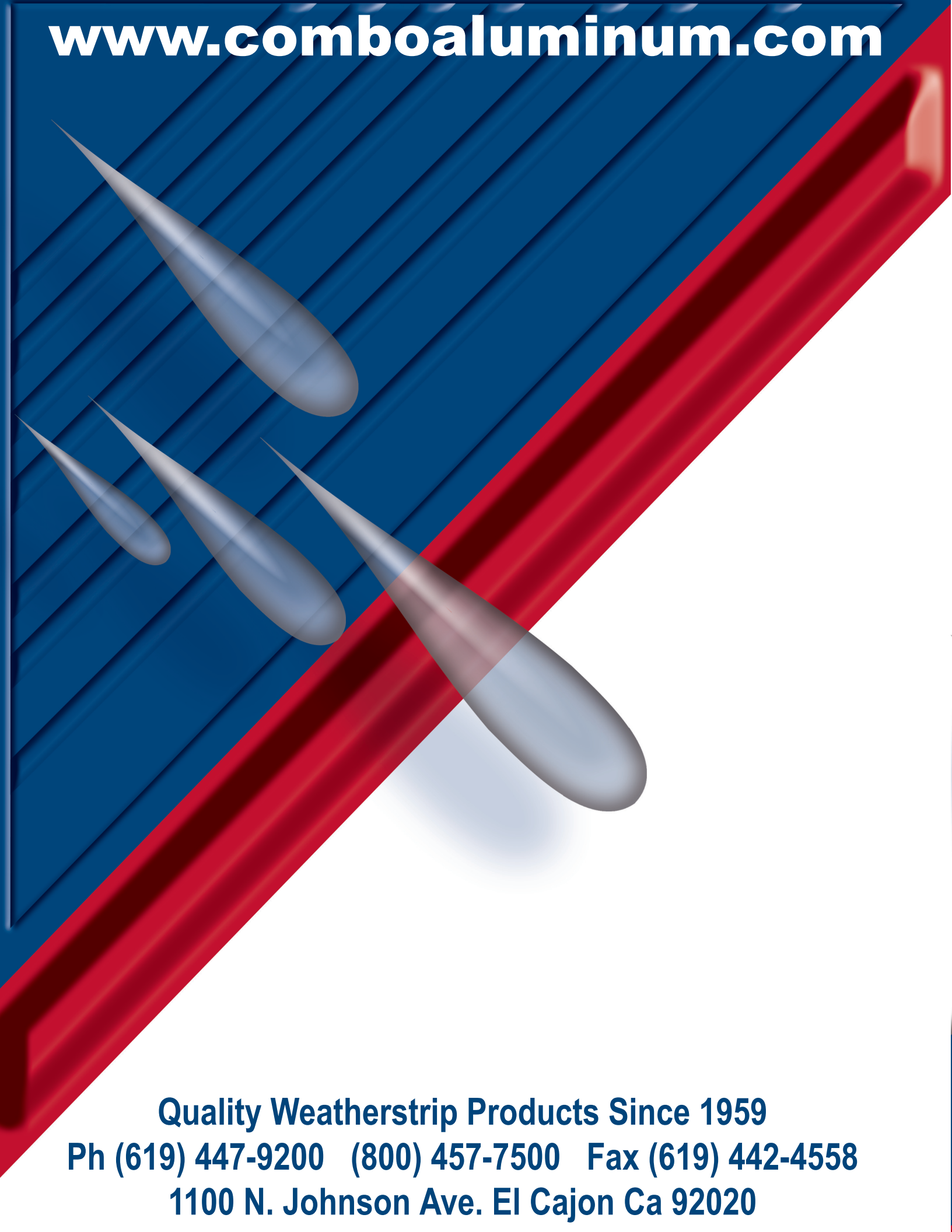
Extruded Vinyl
Fin Seal,
3/8" Reach,
1000'/roll,
Color: Black

Z-BAR

PART NO	LENGTH	BOX QTY
6134	100"	25
6138	85"	25
6146	34-1/8"	25
6148	52"	25



www.comboaluminum.com



Quality Weatherstrip Products Since 1959

Ph (619) 447-9200 (800) 457-7500 Fax (619) 442-4558

1100 N. Johnson Ave. El Cajon Ca 92020