



**Product  
Specifications**



[www.ezconcept.com](http://www.ezconcept.com)



As manufacturers of the world renowned EzyJamb door jamb systems, EZ Concept's openings and finishings products produce minimalistic flush finishes by eliminating trims and traditional timber systems for commercial, residential and industrial interiors.

#### EXPERIENCE EZ CONCEPT

##### Opening Products



Page 06 | The Flush Finish Door Jamb System



Page 22 | Primed Solid Core Flush Door



Page 24 | Door Hardware



Page 30 | Pocket Door Trim Kit



Page 32 | The Flush Finish Pocket Door Solution



Page 36 | Access Panel Solutions

##### Finishing Products



Page 44 | Recessed Window Pelmet Systems



Page 46 | Cased Opening and Wall End Solution



Page 47 | Wall & Ceiling Recessed Channel



Page 48 | Premium Trim Free Window Reveals



Page 50 | Anodized Aluminium Base Board Trim

The image features a 3D rendered scene with white, angular geometric shapes that create a sense of depth and perspective. The lighting is soft, casting subtle shadows. Overlaid on this scene is the text 'Opening Products'. The word 'Opening' is in a smaller, bold, red sans-serif font, while 'Products' is in a much larger, red outline font. The text is positioned horizontally across the middle of the frame.

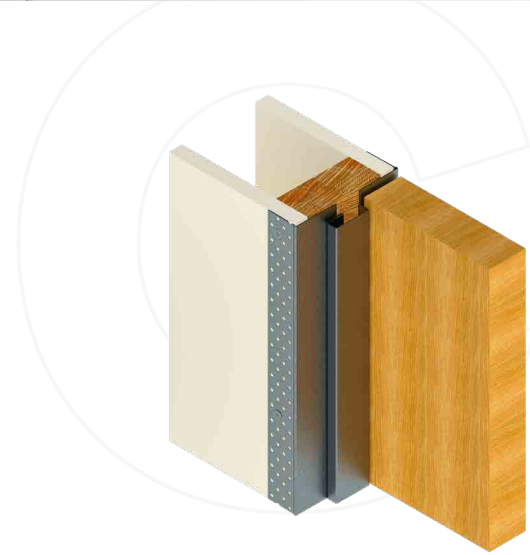
**Opening** Products



# EzyJamb

## EZC | Classic Adjust Door Frame

EzyJamb® Classic Adjust - EZC is a split type door jamb system that creates inconspicuous clean lines to complete the contemporary look of architectural spaces. The two-piece jamb is made specific to your wall throat, yet has 3/8" +/- field adjustments to allow for inconsistencies at install.

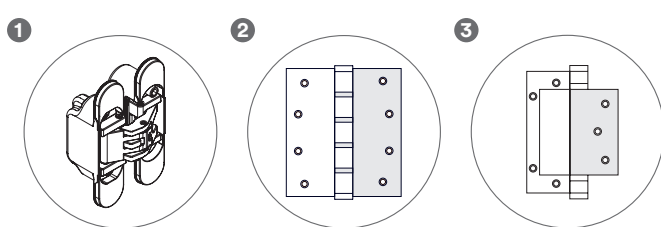


### Product Details

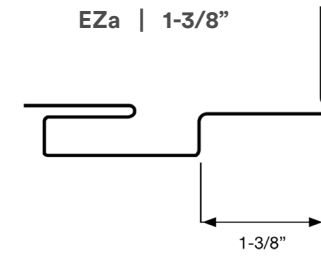
#### EZYJAMB EZC CLASSIC ADJUST DOOR FRAME FOR 1-3/8 (EZa) AND 1-3/4 (EZc) DOORS

Material	20ga Galvanneal		
Max Width	3'-0" (Single)	6'-0" (Double)	(Custom sizes available on request)
Max Height	8'-0"		(Custom sizes available on request)
Wall Throat	3-1/2" - 8-7/8"		(Custom sizes available on request)
Fire Rating	90 minutes - Up to 3080 single, 6080 double		

- Hinge Options
- 1 Concealed Hinges
  - 2 Mortise Hinges
  - 3 Non-Mortise Hinges

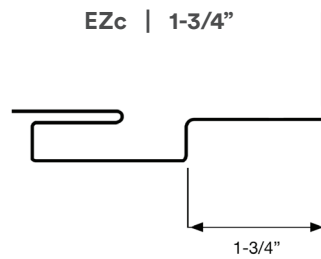


### Preparation Options



Strike Options  
T-Strike  
DeadBolt  
PLS 24

Hinge Options  
Non-Mortise Hinge  
RY-60



Strike Options  
T-Strike  
ASA Strike  
DeadBolt  
NoHa  
Flushbolt  
PLS 24

Hinge Options  
Non-Mortise Hinge  
4" Mortise Hinge  
RY-60 / RY-80  
Soss 216 / 416  
Tectus 340  
Closer Options  
Parallel Arm  
Reinforcement

### Specification Details

- Frame Type
- Door Thickness
- Frame Width
- Frame Height
- Finished Wall Thickness
- Fire Rating
- Strike Type
- Strike Height
- Frame Handing
- Hinge Type
- Hinge Quantity

EX. EZc - 1.75 - 3-0' - 7-0' - 4-7/8 - 20MIN - ASA-38" - RH - RY80 - 3

#### Availability

- All EzyJamb, CavKit and SlideSet products are made to order.
- Lead times apply to all EzyJamb, CavKit and SlideSet orders. Always confirm exact lead time with EZ Concept prior to placing order.
- All orders are accepted by EZ Concept on a FIFO basis (first in, first out). For urgent orders, please refer to the point below.

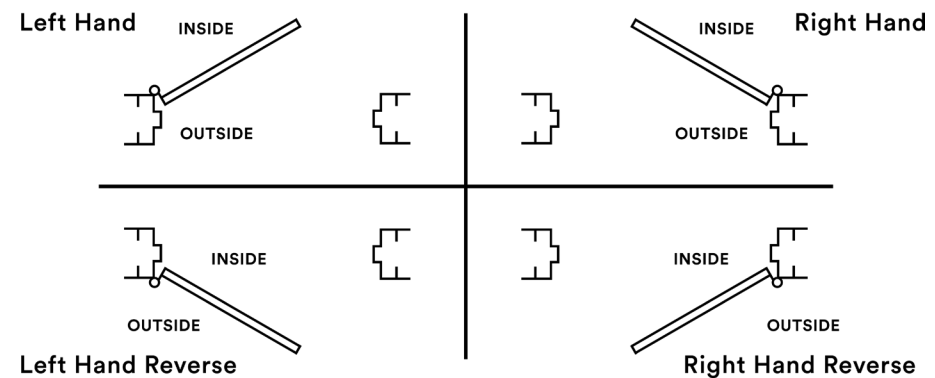
#### Custom Door Sizes

- Custom size EzyJamb, CavKit and SlideSet products are available on request. Longer leader times and additional charges may apply for custom sizes. Custom latch plate punching is available on request.

#### Expedited Orders

- For urgent orders, manufacturing processes can be expedited on request.
- Expedition of EzyJamb, CavKit and SlideSet orders is not always possible and is subject to operational requirements. Always confirm exact lead time with EZ Concept prior to placing order.

### North America Door Handing



**i** Hand all doors by standing outside and facing the door.

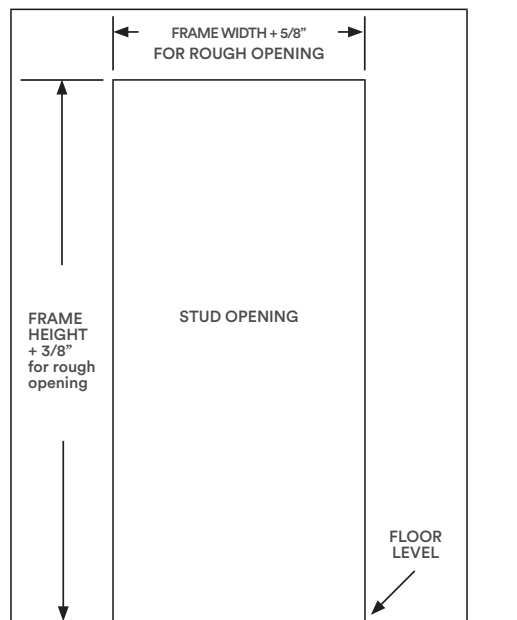
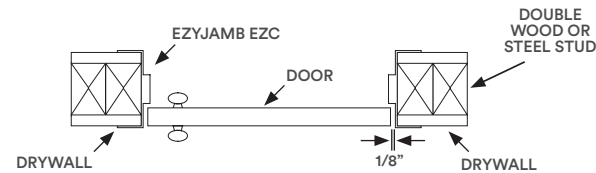
EzyJamb | EZC Classic Adjust Door Frame  
**Installation Instructions**

**Step 1**

Ensure that the stud opening is square and level and is the correct size.

Make sure the rough opening has double studs, the manufacturer strongly recommends wood studs or a minimum 18 gauge .030 metal studs on both sides of the opening. Studco recommends double studs for this installation.

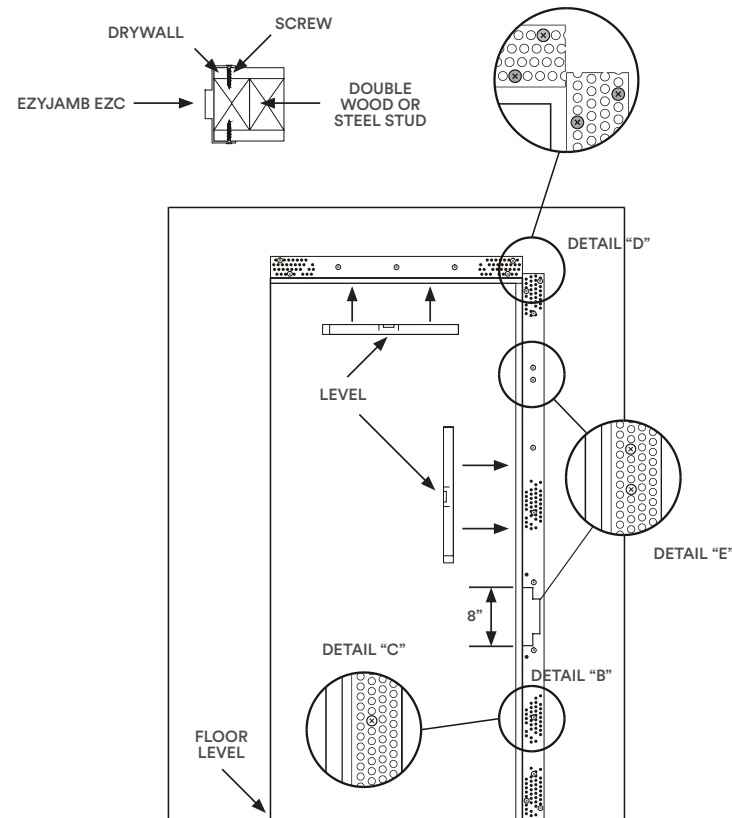
**i** When using concealed hinges, the stud must be notched at each hinge location to ensure proper fitment.



**Step 2**

Fasten hinge side first, making sure jamb is level and as tight against stud opening as possible. Then screw at 8" centers up stile, screwing back through drywall into stud jamb. See Detail 'B' and 'C'.

Double screw all ends as Detail D, and beside hinge position - both above and below hinge if using concealed hinges as Detail E.

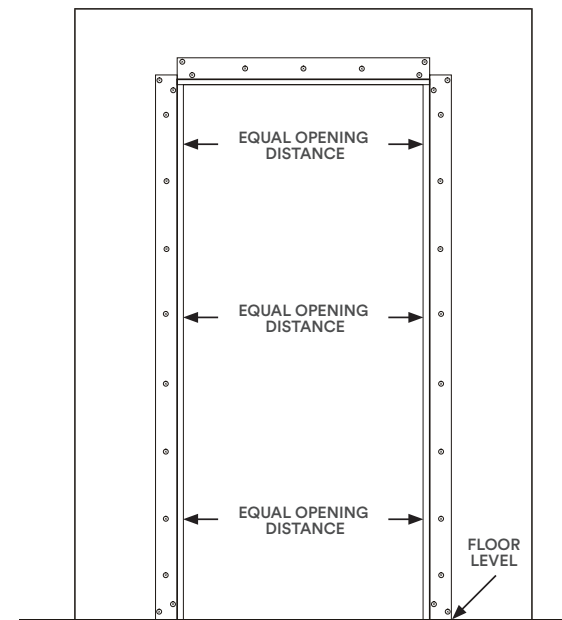


EzyJamb | EZC Classic Adjust Door Frame  
**Installation Instructions**

**Step 3**

Fasten the final vertical section (strike jamb) below the head section. Ensure that the spacing between the two vertical sections are spaced evenly at the required distance.

Install door prior to mudding to ensure proper tolerances, then disassemble and reinstall after mudding.

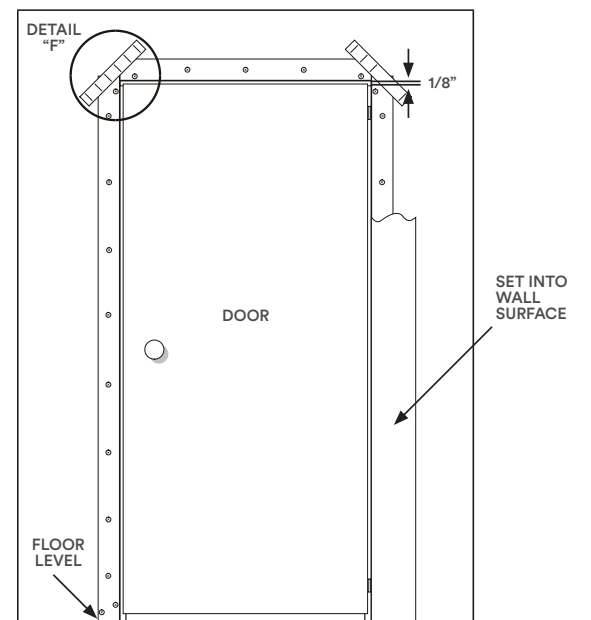
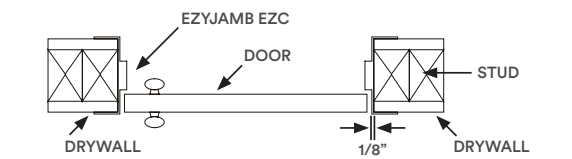


**Step 4**

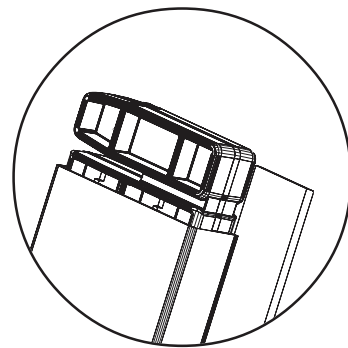
Ensure the perforated side strips sit flat against the drywall to enable the jamb sections to be easily set into the wall surface. Finish the jamb with drywall compound.

All the corners must be paper taped and mudded in as Detail F.

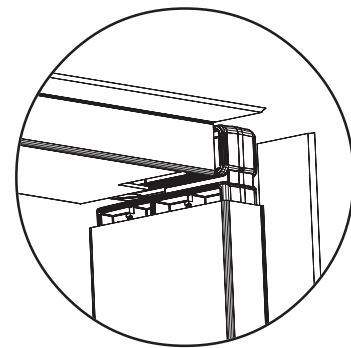
Hang the door in position leaving 1/8" clearance from the top and the hinged side using the EzyJamb Standard or Invisible Hinges. Install the striker plate into position to align with the latch plate punching.



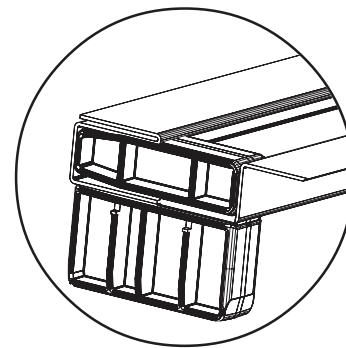
**Step 2A | Head Installation**



Head joiners as inserted in jamb.



Locate head into joiner and make flush with jamb so the head joiner is not seen.



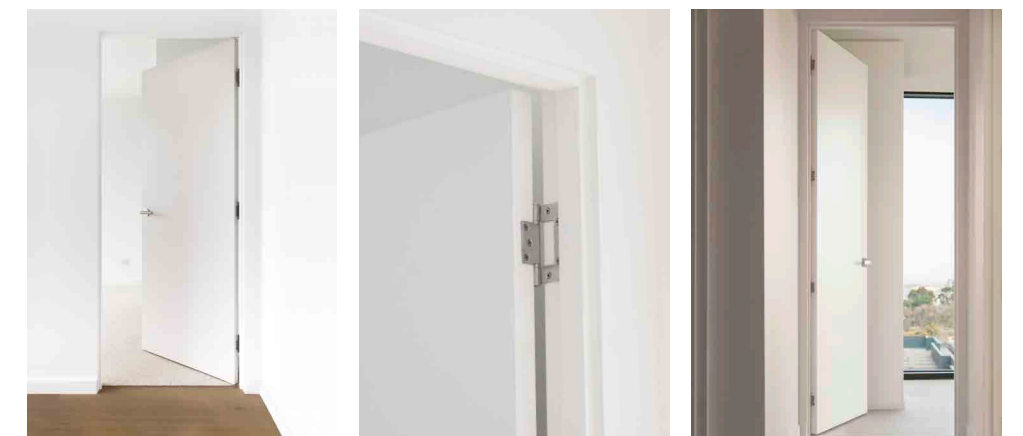
Remove the remaining head joiner out of the strike jamb into the end of the head (as shown) to receive the strike jamb.

**Completed Installation**

The completed jamb is flush finished and can be painted in with the whole wall area to fully conceal any fixing, achieving simple clean lines around the door face.

For further information or assistance in installation of EzyJamb products, please visit:

<https://ezconcept.com.au/resources/installation-instructions/>

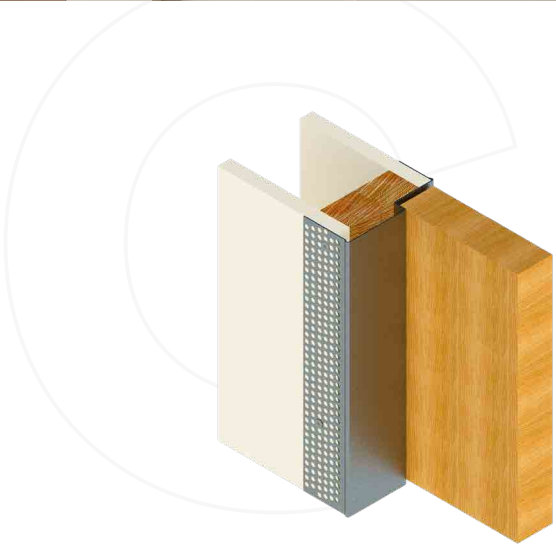




# EzyJamb

## SRC | Single Rabbet Door Frame

Give your project a clean cut trim-free edge with the EzyJamb Single Rabbet – SRC door frame. This one-piece frameless door jamb is made custom to perfectly suit your wall thickness for a flush finish. The premium design of the EzyJamb SRC provides a smooth transition from one side of the door jamb allowing a minimalist sophistication in apartments, homes and commercial buildings.

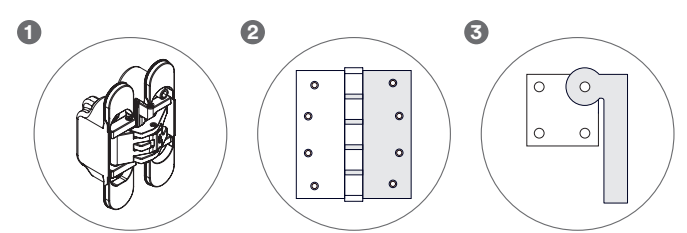


## Product Details

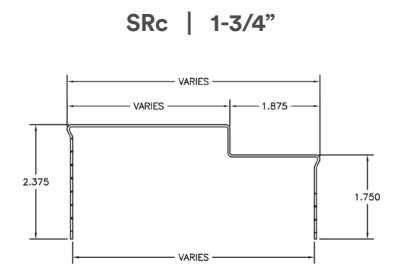
### EZYJAMB SRC SINGLE RABBET DOOR FRAME - FOR 1-3/4 (SRc) AND 2-1/4 (SRd) DOORS

Material	18ga Galvalneal		
Max Width	3'-6" (Single)	6'-0" (Double)	(Custom sizes available on request)
Max Height	10'-0"		(Custom sizes available on request)
Wall Throat	3-3/4" - 9-7/8" in 1/8" increments		(Custom sizes available on request)
Fire Rating	Up to 90 minutes		

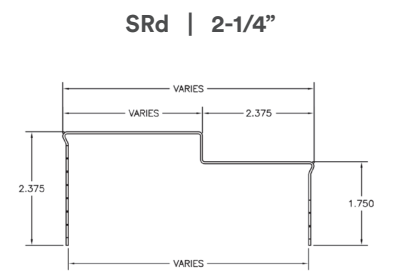
- Hinge Options
- 1 Concealed Hinges
  - 2 Mortise Hinges
  - 3 Pivot Hinges



## Preparation Options



<b>Strike Options</b>	T-Strike ASA Strike DeadBolt PLS 24 FlushBolt No Ha	HES 8300 / 8500 Rim Reinforcement Full Lip Roller Concealed Vertical Rod Surface Vertical Rod	<b>Pivot Options</b>	Rixson Top Pivot 180 Rixson Intermediate Pivot M19 ABH Top Pivot 018 ABH Intermediate Pivot 019
<b>Hinge Options</b>	4-1/2" Mortise Hinge RocYork RY-60 / RY-80 / RY-120 Soss 216 / 218 / 418 Tectus 340 / 527 / 540		<b>Closer Options</b>	LCN 3130 Dorma ITS96 RocYork RYCC60950 RocYork RYSC60950 PA Reinforcement
<b>Power Switch</b>	EPT Power Transfer Door Position Switch		<b>Holders and Stops</b>	GJ 100 & 400 Series Rixson 1 & 2 Series Rockwood 100 & 200 Series ABH1000 & 4000 Series



<b>Strike Options</b>	T-Strike ASA Strike DeadBolt No-Ha PLS 24 FlushBolt	HES 8300 / 8500 Rim Reinforcement Full Lip Roller Concealed Vertical Rod Surface Vertical Rod	<b>Pivot Options</b>	Rixson Top Pivot 180 Rixson Intermediate Pivot M19 ABH Top Pivot 018 ABH Intermediate Pivot 019
<b>Hinge Options</b>	4-1/2" Mortise Hinge RocYork RY-60 / RY-80 / RY-120 Soss 218 / 418 Tectus 340 / 527 / 540		<b>Closer Options</b>	LCN 3130 Dorma ITS96 RocYork RYCC60950 PA Reinforcement RocYork RYCC60950
<b>Misc.</b>	EPT Power Transfer Door Position Switch		<b>Holders and Stops</b>	GJ 100 & 400 Series Rixson 1 & 2 Series Rockwood 100 & 200 Series ABH1000 & 4000 Series

## Specification Details

- Frame Type
- Door Thickness
- Frame Width
- Frame Height
- Finished Wall Thickness
- Fire Rating
- Strike Type
- Strike Height
- Frame Handing
- Hinge Type
- Hinge Quantity

EX. SRc - 1.75 - 3'-0" - 7'-0" - 4-7/8" - 20MIN - ASA-38" - RH - RY80 - 3

### Availability

- All EzyJamb, CavKit and SlideSet products are made to order.
- Lead times apply to all EzyJamb, CavKit and SlideSet orders. Always confirm exact lead time with EZ Concept prior to placing order.
- All orders are accepted by EZ Concept on a FIFO basis (first in, first out). For urgent orders, please refer to the point below.

### Expedited Orders

- For urgent orders, manufacturing processes can be expedited on request.
- Expedition of EzyJamb, CavKit and SlideSet orders is not always possible and is subject to operational requirements. Always confirm exact lead time with EZ Concept prior to placing order.

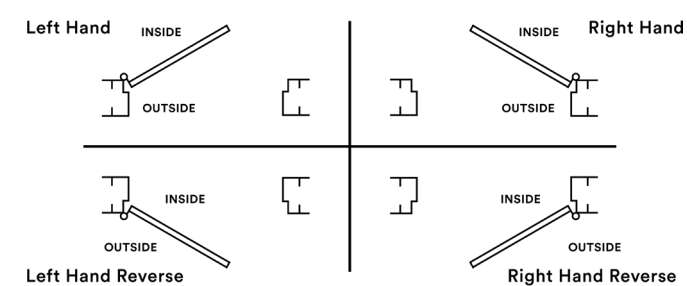
### Floor to Ceiling Doors

- Floors to ceiling doors require no header jamb as the door extends the total height of the wall, when framing for this type of application allow the ceiling framing and drywall to carry on through to the adjacent space.

### Custom Door Sizes

- Custom size EzyJamb, CavKit and SlideSet products are available on request. Longer leader times and additional charges may apply for custom sizes. Custom latch plate punching is available on request.

## North America Door Handing



**i** Hand all doors by standing outside and facing the door.

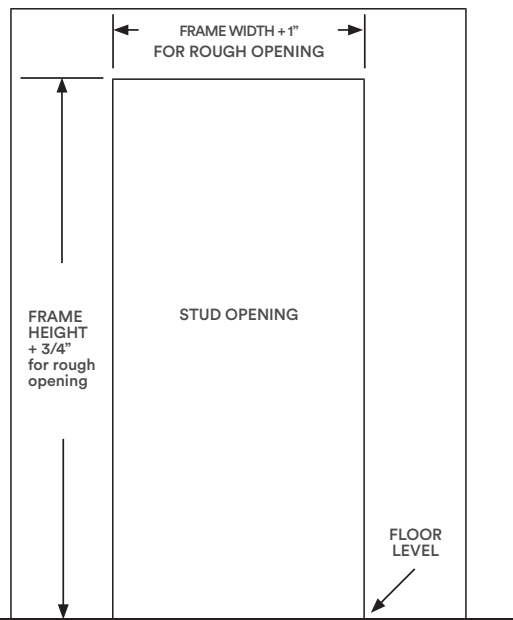
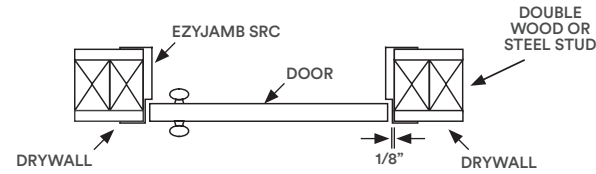
**EzyJamb | SRC Single Rabbet Door Frame**  
**Installation Instructions**

**Step 1**

Ensure that the stud opening is square and level and is the correct size.

Make sure the rough opening has double studs, the manufacturer strongly recommends wood studs or a minimum 20 gauge .030 metal studs on both sides of the opening. Studco recommends double studs for this installation.

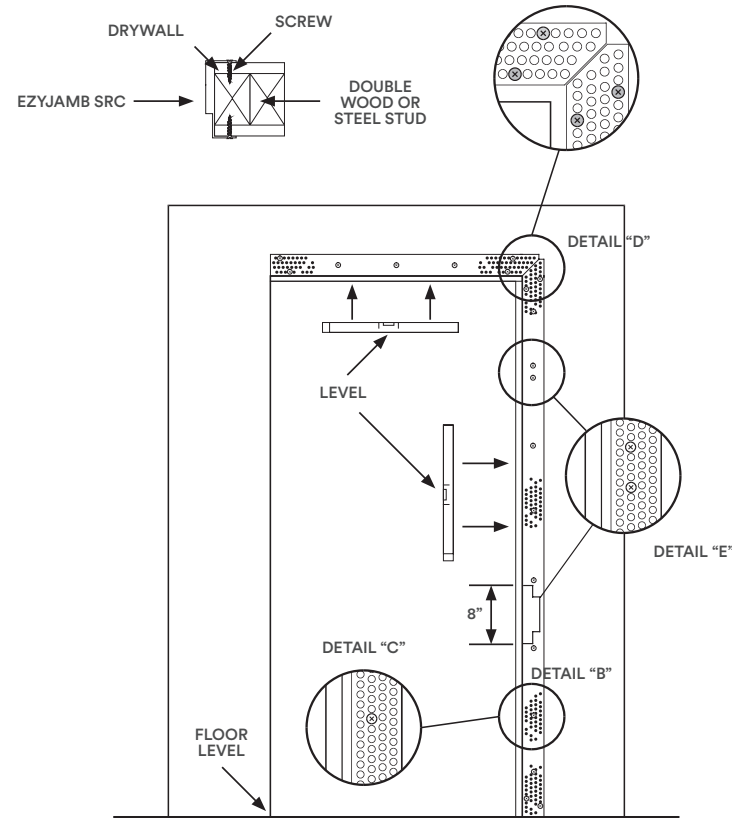
**i** When using concealed hinges, the stud must be **notched** at each hinge location to ensure proper fitment.



**Step 2**

Fasten hinge side first, making sure jamb is level and as tight against stud opening as possible. Then screw at 8" centers up stile, screwing back through drywall into stud jamb. See *Detail 'B'* and *'C'*.

Double screw all ends as *Detail D*, and beside hinge position - both above and below hinge if using concealed hinges as *Detail E*.

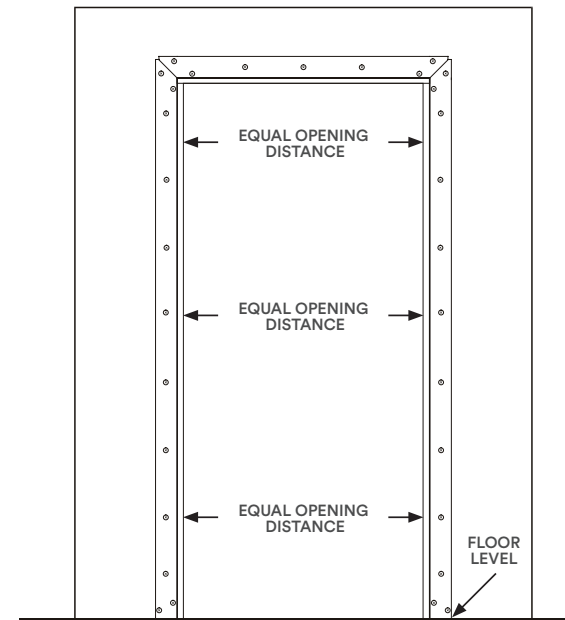


**EzyJamb | SRC Single Rabbet Door Frame**  
**Installation Instructions**

**Step 3**

Fasten the final vertical section (strike jamb) below the head section. Ensure that the spacing between the two vertical sections are spaced evenly at the required distance.

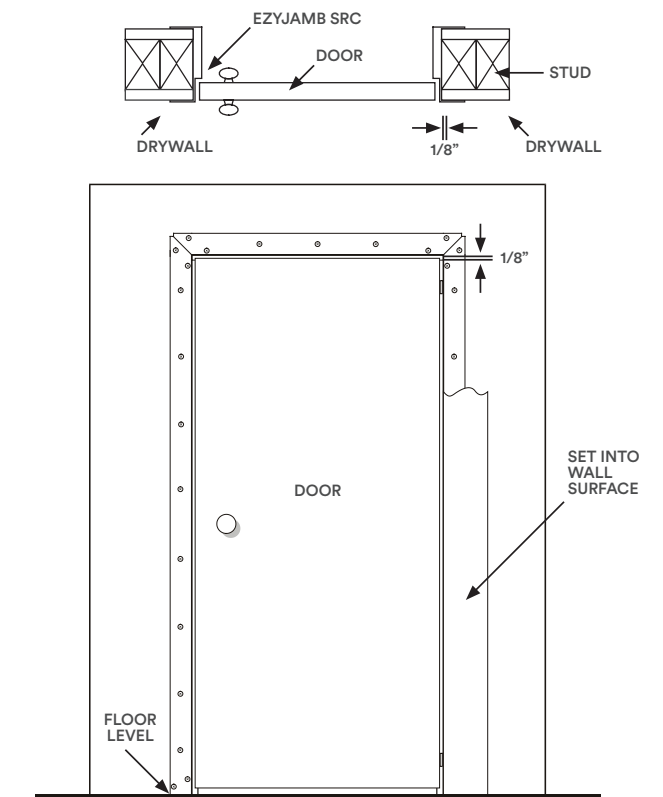
Install door prior to mudding to ensure proper tolerances, then disassemble and reinstall after mudding.



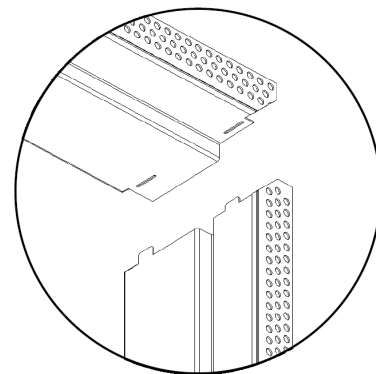
**Step 4**

Ensure the perforated side strips sit flat against the drywall to enable the jamb sections to be easily set into the wall surface. Finish the jamb with drywall compound.

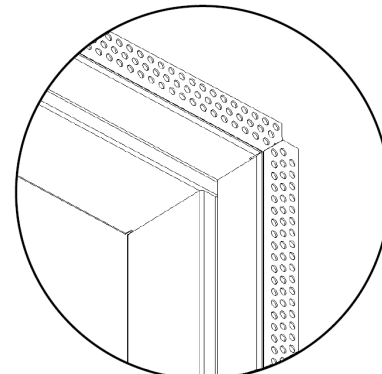
Hang the door in position leaving 1/8" clearance from the top and the hinged side using the EzyJamb Standard or Invisible Hinges. Install the striker plate into position to align with the latch plate punching.



**Step 2A | Head Installation**



Locate fixing tabs to header.



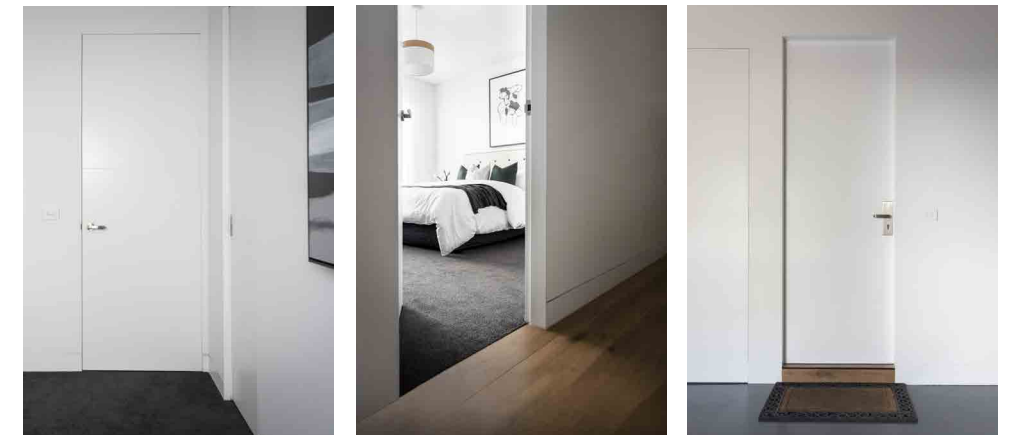
Corner Detail Completed

**Completed Installation**

The completed jamb is flush finished and can be painted in with the whole wall area to fully conceal any fixing, achieving simple clean lines around the door face.

For further information or assistance in installation of EzyJamb products, please visit:

<https://ezconcept.com.au/resources/installation-instructions/>

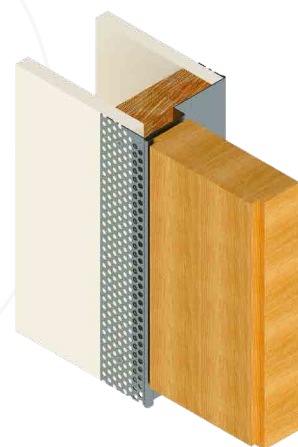




# EzyJamb

## ISD | Inswing Door Frame

EzyJamb Inswing Door - ISD is the ultimate door jamb system to achieve a seamless look in hallways and corridors. The EzyJamb ISD frame is suitable for applications that require the door to open inwardly from the flush side of the door, for a clean line along the wall face. The completed jamb is flush finished and can be painted in with the whole wall area to fully conceal any fixing and is available with various hinge options.

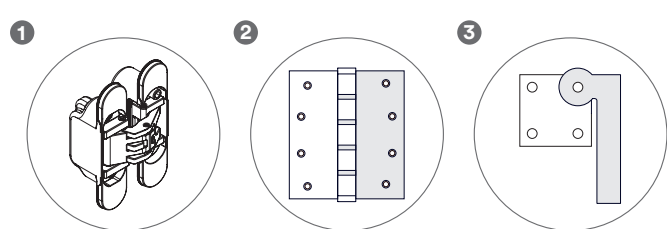


## Product Details

### EZYJAMB ISD INSWING DOOR FRAME - FOR 1-3/4 (ISc) AND 2-1/4 (ISd) DOORS

Material	18ga Galvanneal		
Max Width	3'-6" (Single)	6-0' (Double)	(Custom sizes available on request)
Max Height	10-0' (Custom sizes available on request)		
Wall Throat	3-3/4" - 9-7/8" in 1/8" increments (Custom sizes available on request)		

- Hinge Options
- 1 Concealed Hinges
  - 2 Mortise Hinges
  - 3 Pivot Hinges



## Preparation Options

<b>ISc   1-3/4"</b> 	<b>Strike Options</b> T-Strike ASA Strike PLS 24 DeadBolt	<b>Closer Options</b> RocYork RYCC60950
	<b>Hinge Options</b> 4" Mortise Hinge RocYork RY-60 (8'0" Max Height) (7'6" Max Height)	
<b>ISd   2-1/4"</b> 	<b>Strike Options</b> T-Strike ASA Strike DeadBolt PLS 24 NoHa Flushbolt Full Lip Roller HES 8300 / 8500 Electric Strikes	<b>Pivot Options</b> Rixson Top Pivot 180 Rixson Intermediate Pivot M19 ABH Top Pivot 018 ABH Intermediate Pivot 019
	<b>Hinge Options</b> 4-1/2" Mortise Hinge RocYork RY-80 / RY-120 Soss 218 / 418 Tectus 340 / 540	<b>Closer Options</b> LCN 3130 Dorma ITS96 RocYork RYCC60950
<b>Misc.</b>	EPT Power Transfer Door Position Switch	<b>Holders and Stops</b> Rixson 1 & 2 Series Rockwood 100 & 200 Series ABH 1000 & 4000 Series GJ 100 & 400 Series

## Specification Details

- Frame Type
- Door Thickness
- Frame Width
- Frame Height
- Finished Wall Thickness
- Fire Rating
- Strike Type
- Strike Height
- Frame Handing
- Hinge Type
- Hinge Quantity

EX. ISd - 2.25 - 3-0' - 7-0' - 4-7/8 - N/A - ASA-38" - RH - RY80 - 3

### Availability

- All EzyJamb, CavKit and SlideSet products are made to order.
- Lead times apply to all EzyJamb, CavKit and SlideSet orders. Always confirm exact lead time with EZ Concept prior to placing order.
- All orders are accepted by EZ Concept on a FIFO basis (first in, first out). For urgent orders, please refer to the point below.

### Expedited Orders

- For urgent orders, manufacturing processes can be expedited on request.
- Expedition of EzyJamb, CavKit and SlideSet orders is not always possible and is subject to operational requirements. Always confirm exact lead time with EZ Concept prior to placing order.

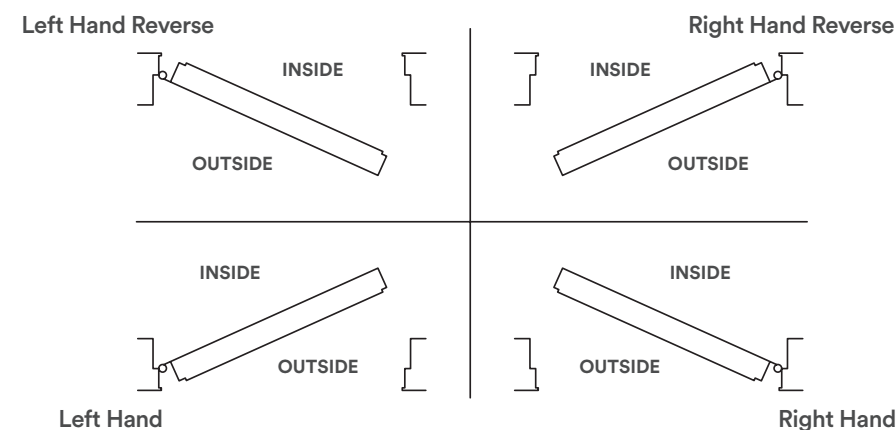
### Floor to Ceiling Doors

- Floors to ceiling doors require no header jamb as the door extends the total height of the wall, when framing for this type of application allow the ceiling framing and drywall to carry on through to the adjacent space.

### Custom Door Sizes

- Custom size EzyJamb, CavKit and SlideSet products are available on request. Longer leader times and additional charges may apply for custom sizes. Custom latch plate punching is available on request.

## North America Door Handing



**i** Hand all doors by standing outside and facing the door.



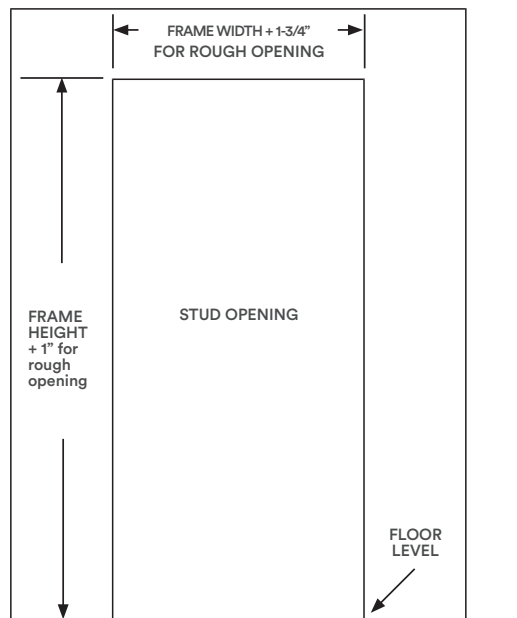
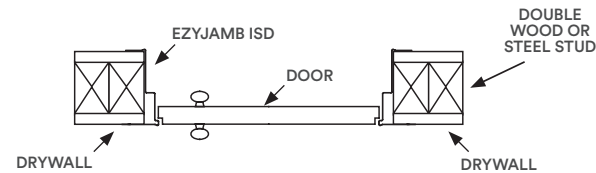
EzyJamb | ISD Inswing Door Frame  
**Installation Instructions**

**Step 1**

Ensure that the stud opening is square and level and is the correct size.

Make sure the rough opening has double studs, the manufacturer strongly recommends wood studs or a minimum 18 gauge .030 metal studs on both sides of the opening. Studco recommends double studs for this installation.

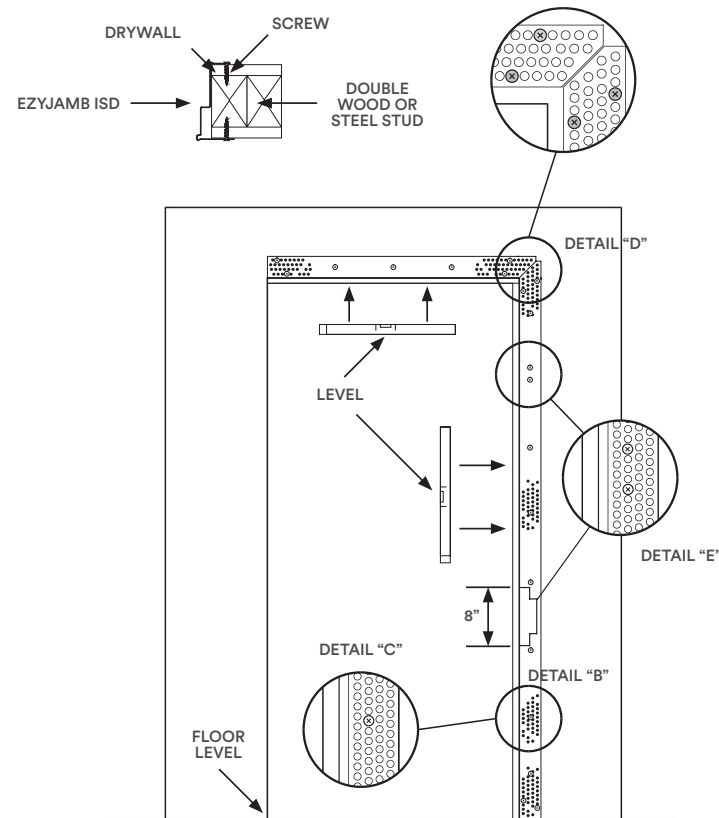
**i** When using concealed hinges, the stud must be **notched** at each hinge location to ensure proper fitment.



**Step 2**

Fasten hinge side first, making sure jamb is level and as tight against stud opening as possible. Then screw at 8" centers up stile, screwing back through drywall into stud jamb. See *Detail 'B'* and *'C'*.

Double screw all ends as *Detail D*, and beside hinge position - both above and below hinge if using concealed hinges as *Detail E*.

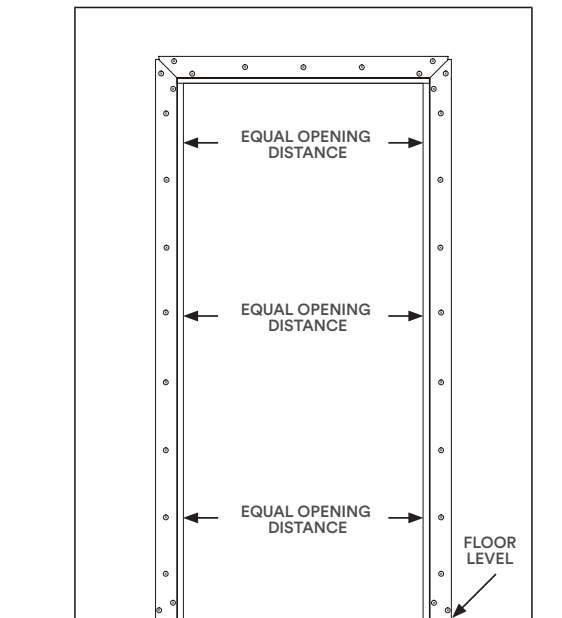


EzyJamb | ISD Inswing Door Frame  
**Installation Instructions**

**Step 3**

Fasten the final vertical section (strike jamb) below the head section. Ensure that the spacing between the two vertical sections are spaced evenly at the required distance.

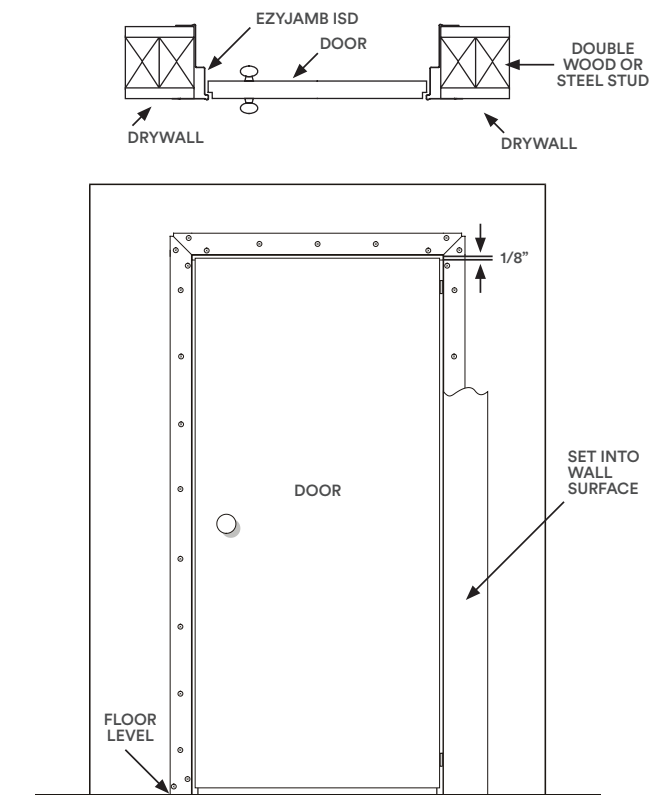
Install door prior to mudding to ensure proper tolerances, then disassemble and reinstall after mudding.



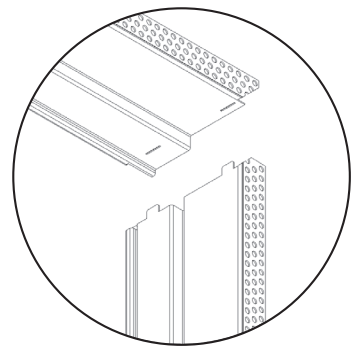
**Step 4**

Ensure the perforated side strips sit flat against the drywall to enable the jamb sections to be easily set into the wall surface. Finish the jamb with drywall compound.

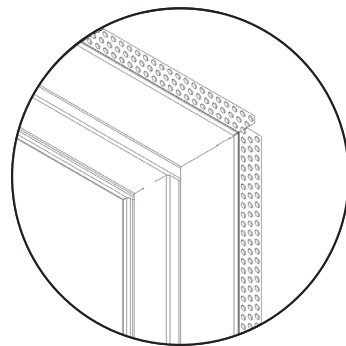
Hang the door in position leaving 1/8" clearance from the top and the hinged side using the EzyJamb Standard or Invisible Hinges. Install the striker plate into position to align with the latch plate punching.



**Step 2A | Head Installation**



Locate fixing tabs to header.



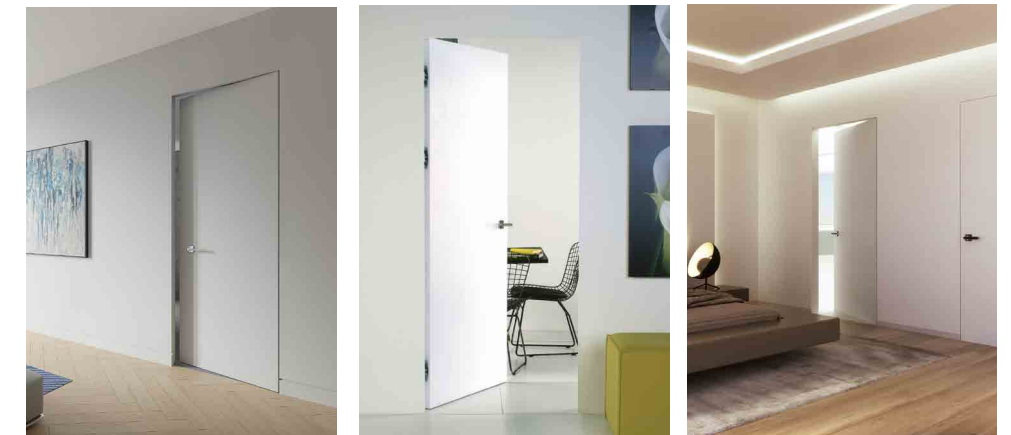
Double screw all ends as Detail D.

**Completed Installation**

The completed jamb is flush finished and can be painted in with the whole wall area to fully conceal any fixing, achieving simple clean lines around the door face.

For further information or assistance in installation of EzyJamb products, please visit:

<https://ezconcept.com.au/resources/installation-instructions/>



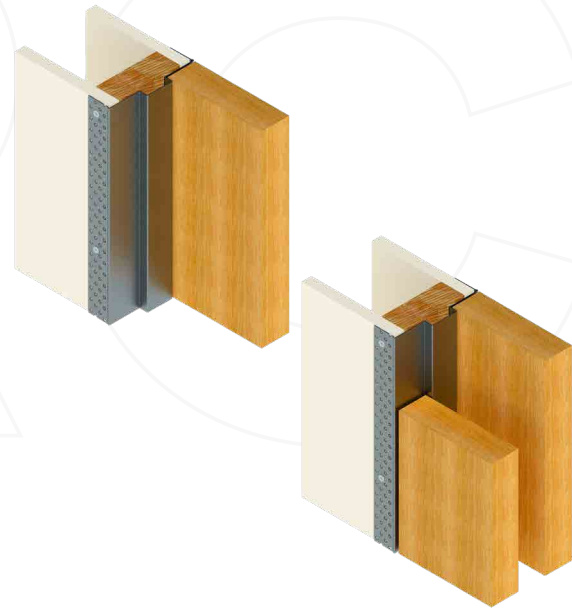


# EzyJamb

## DRC | Double Rabbet Door Frame

The latest innovation in EzyJamb Flush Finish Door Jamb, the Double Rabbet EzyJamb – DRC allows for single or double doors to be hung in the fire-rated Jamb creating a modern look for interconnecting hotel rooms.

This modern approach to hotel door jambs complements discerning hotel interiors where a premium finish is required in all areas.

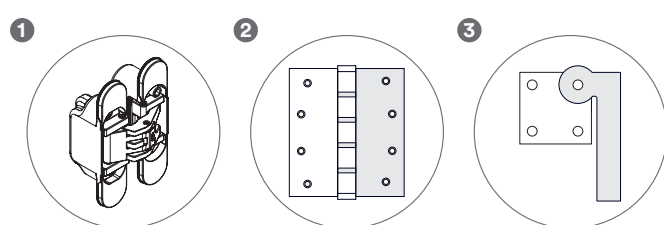


## Product Details

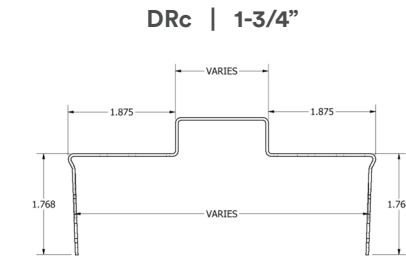
### EZYJAMB DRC DOUBLE RABBET DOOR FRAME - FOR 1-3/4 (DRc) AND 2-1/4 (DRd) DOORS

Material	18ga Galvalume		
Max Width	3'-6" (Single)	6'-0" (Double)	(Custom sizes available on request)
Max Height	10'-0" (Custom sizes available on request)		
Wall Throat	4-1/2" - 9-7/8" in 1/8" increments (For 1-3/4 Doors) 5-1/2" - 9-7/8" in 1/8" increments (For 2-1/4 Doors)		(Custom sizes available on request)
Fire Rating	Up to 90 minutes		

- Hinge Options
- 1 Concealed Hinges
  - 2 Mortise Hinges
  - 3 Pivot Hinges



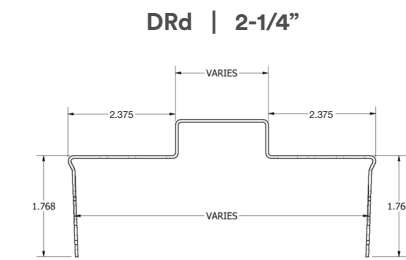
## Preparation Options



<b>Strike Options</b>	T-Strike ASA Strike DeadBolt HES 8300 / 8500 Full Lip Roller	<b>Rim Reinforcement</b>	No Ha FlushBolt PLS 24	<b>Pivot Options</b>	Rixson Top Pivot 180 Rixson Intermediate Pivot M19 ABH Top Pivot 018 ABH Intermediate Pivot 019
-----------------------	--	--------------------------	------------------------------	----------------------	--

<b>Hinge Options</b>	4-1/2" Mortise Hinge RocYork RY-60 / RY-80 / RY-120 Soss 218 / 418 Tectus 340 / 527 / 540	<b>Closer Options</b>	LCN 3130 Dorma ITS96 RocYork RYCC60950 PA Reinforcement RocYork RYCC60950
----------------------	--	-----------------------	---

<b>Misc.</b>	EPT Power Transfer Door Position Switch	<b>Holders and Stops</b>	GJ 100 & 400 Series Rixson 1 & 2 Series Rockwood 100 & 200 Series ABH1000 & 4000 Series
--------------	--	--------------------------	--



<b>Strike Options</b>	T-Strike ASA Strike DeadBolt HES 8300 / 8500 Full Lip Roller	<b>Rim Reinforcement</b>	No Ha FlushBolt PLS 24	<b>Pivot Options</b>	Rixson Top Pivot 180 Rixson Intermediate Pivot M19 ABH Top Pivot 018 ABH Intermediate Pivot 019
-----------------------	--	--------------------------	------------------------------	----------------------	--

<b>Hinge Options</b>	4-1/2" Mortise Hinge RocYork RY-60 / RY-80 / RY-120 Soss 218 / 418 Tectus 340 / 527 / 540	<b>Closer Options</b>	LCN 3130 Dorma ITS96 RocYork RYCC60950 PA Reinforcement
----------------------	--	-----------------------	--

<b>Misc.</b>	EPT Power Transfer Door Position Switch	<b>Holders and Stops</b>	GJ 100 & 400 Series Rixson 1 & 2 Series Rockwood 100 & 200 Series ABH1000 & 4000 Series
--------------	--	--------------------------	--

## Specification Details

- Frame Type
- Door Thickness
- Frame Width
- Frame Height
- Finished Wall Thickness
- Fire Rating
- Strike Type
- Strike Height
- Frame Handing
- Hinge Type
- Hinge Quantity

EX. DRc - 1.75 - 3'-0" - 7'-0" - 4-7/8" - 20MIN - ASA-38" - RH - RY80 - 3

### Availability

- All EzyJamb, CavKit and SlideSet products are made to order.
- Lead times apply to all EzyJamb, CavKit and SlideSet orders. Always confirm exact lead time with EZ Concept prior to placing order.
- All orders are accepted by EZ Concept on a FIFO basis (first in, first out). For urgent orders, please refer to the point below.

### Expedited Orders

- For urgent orders, manufacturing processes can be expedited on request.
- Expedition of EzyJamb, CavKit and SlideSet orders is not always possible and is subject to operational requirements. Always confirm exact lead time with EZ Concept prior to placing order.

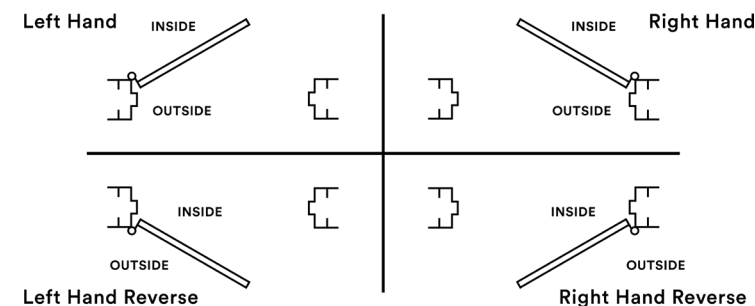
### Floor to Ceiling Doors

- Floors to ceiling doors require no header jamb as the door extends the total height of the wall, when framing for this type of application allow the ceiling framing and drywall to carry on through to the adjacent space.

### Custom Door Sizes

- Custom size EzyJamb, CavKit and SlideSet products are available on request. Longer leader times and additional charges may apply for custom sizes. Custom latch plate punching is available on request.

## North America Door Handing



**i** Hand all doors by standing outside and facing the door.

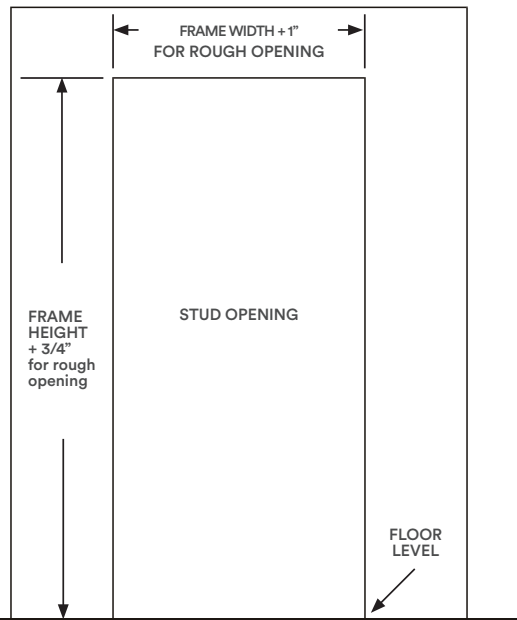
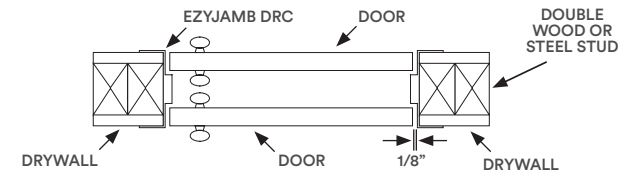
# EzyJamb | DRC Double Rabbet Door Frame Installation Instructions

## Step 1

Ensure that the stud opening is square and level and is the correct size.

Make sure the rough opening has double studs, the manufacturer strongly recommends wood studs or a minimum 18 gauge .030 metal studs on both sides of the opening. Studco recommends double studs for this installation.

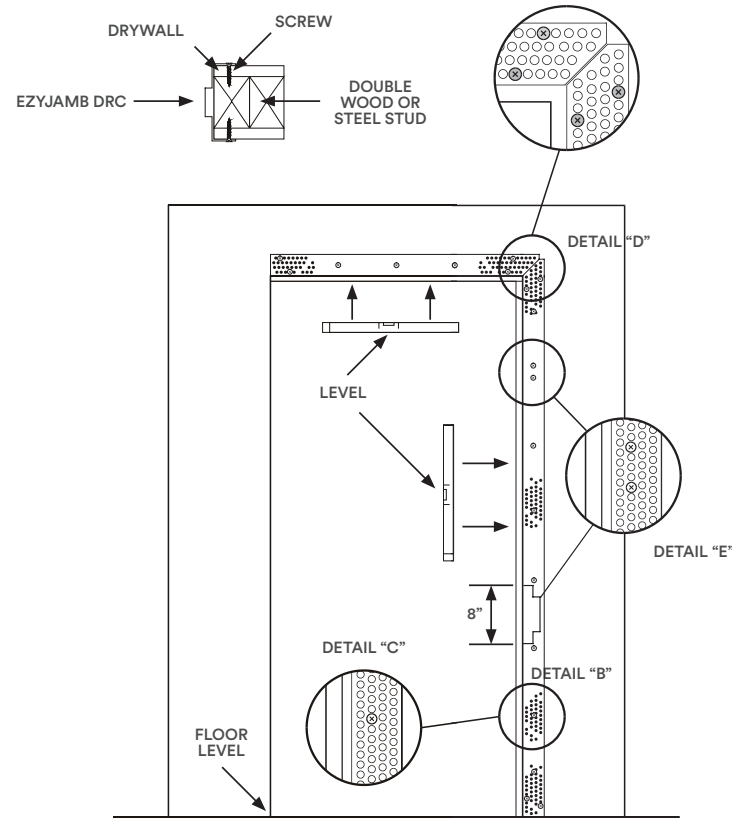
**i** When using concealed hinges, the stud must be **notched** at each hinge location to ensure proper fitment.



## Step 2

Fasten hinge side first, making sure jamb is level and as tight against stud opening as possible. Then screw at 8" centers up stile, screwing back through drywall into stud jamb. See *Detail 'B'* and *'C'*.

Double screw all ends as *Detail D*, and beside hinge position - both above and below hinge if using concealed hinges as *Detail E*.

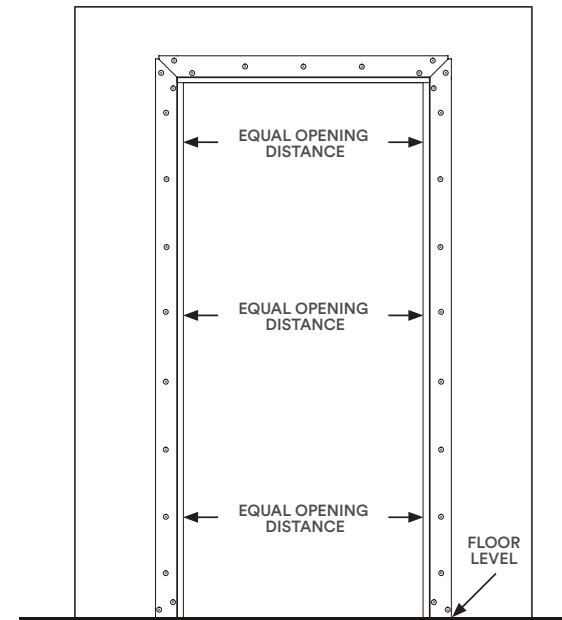


# EzyJamb | DRC Double Rabbet Door Frame Installation Instructions

## Step 3

Fasten the final vertical section (strike jamb) below the head section. Ensure that the spacing between the two vertical sections are spaced evenly at the required distance.

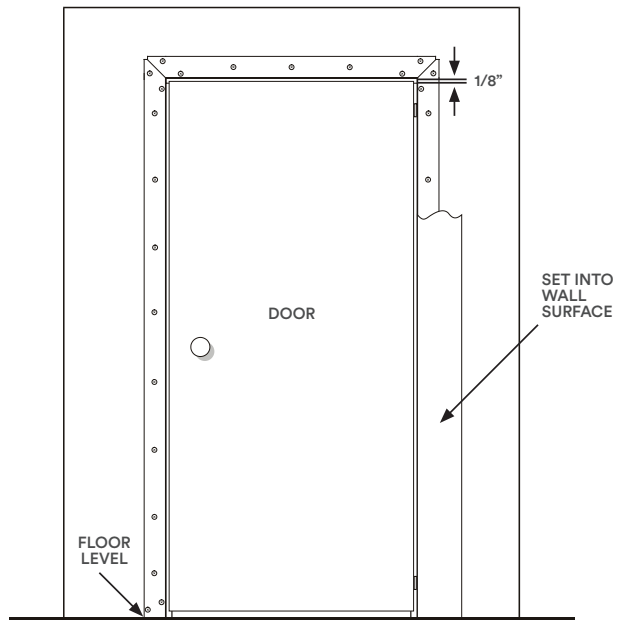
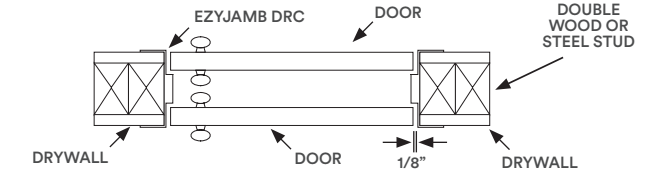
Install door prior to mudding to ensure proper tolerances, then disassemble and reinstall after mudding.



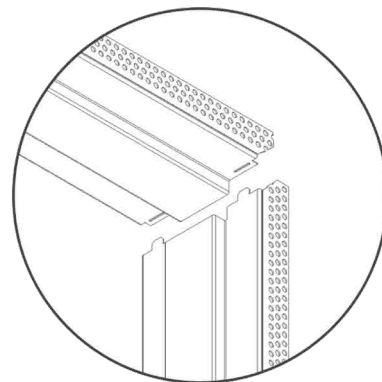
## Step 4

Ensure the perforated side strips sit flat against the drywall to enable the jamb sections to be easily set into the wall surface. Finish the jamb with drywall compound.

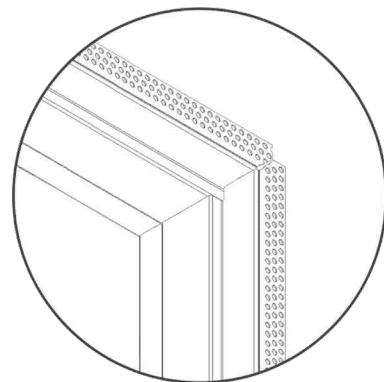
Hang the door in position leaving 1/8" clearance from the top and the hinged side using the EzyJamb Standard or Invisible Hinges. Install the striker plate into position to align with the latch plate punching.



## Step 2A | Head Installation



Locate fixing tabs to header.



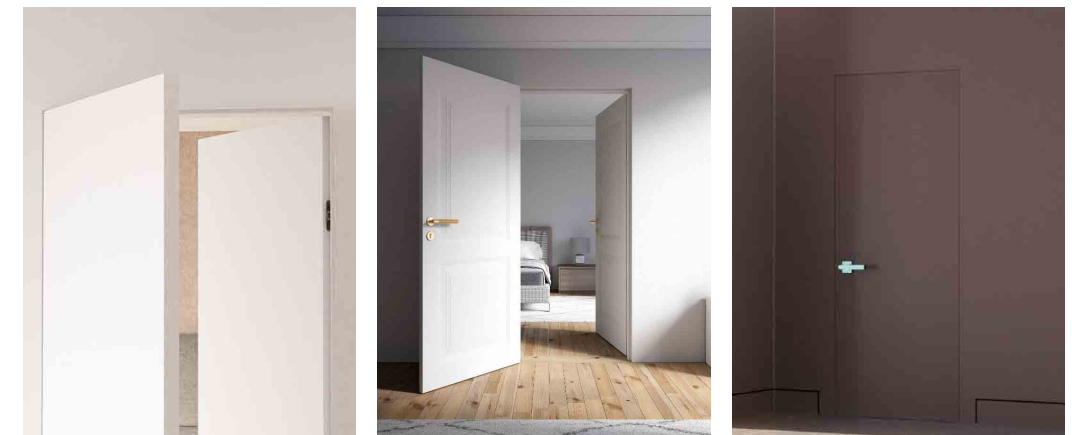
Corner Detail Completed

## Completed Installation

The completed jamb is flush finished and can be painted in with the whole wall area to fully conceal any fixing, achieving simple clean lines around the door face.

For further information or assistance in installation of EzyJamb products, please visit:

<https://ezconcept.com.au/resources/installation-instructions/>



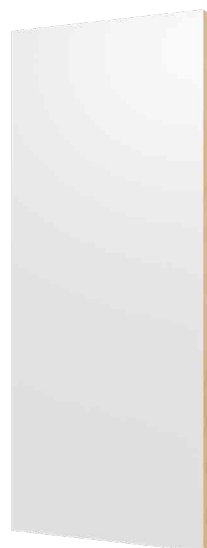


# EzyDor

## Primed Solid Core Flush Door

Complete your EzyJamb or SlideSet order with a flush door to match!  
A primed solid core flush door machined to suit your frames for a premium architectural finish.

A full line of flush primed hardboard doors seamlessly integrate with the subtle frame provided by EzyJamb for swing doors. SlideSet Pocket doors also pair with EzyDor™ for a finish defined by clean edges and flush design.



## Product Features

- 2-1/2" stile and rails for added durability and ease of trimming and hardware preparations.
- Available to ship with your next EzyJamb or SlideSet order.
- 20, 45, 60 and 90 min Fire Rated doors available upon request.
- Custom sizes available upon request.
- Available as QuickShip product.

## Door Preparation

- Hinge and lock preps machined to match frames.
- Ability to machine doors to match ISD door frame prep.
- Ability to machine doors to match NoHa prep.
- Preparation for all doors includes a coating for a primed and ready-to-paint finish.

## Product Details

### EZYDOR - 1-3/4" THICK DOOR

Material	Solid Particle Core Hardboard								
Door Thickness	1-3/4"								
Door Stock Heights	6' 8"	7' 0"	8' 0"						
Door Stock Widths	1' 6"	1' 8"	2' 0"	2' 2"	2' 4"	2' 6"	2' 8"	2' 10"	3' 0"

### EZYDOR - 2-1/4" THICK DOOR

Material	Solid Particle Core Hardboard		
Door Thickness	2-1/4"		
Door Stock Heights	7' 0"	8' 0"	
Door Stock Widths	2' 6"	2' 8"	3' 0"

*i* Both door thickness profiles are also suitable for double door applications.

## Completed Installation

The door is flush finished and prepped to achieve a complete minimalist door. This is possible with both swing and pocket doors. See completed installations of EzyDor with both the EzyJamb and SlideSet opening systems.

For both systems, Full Height doors can be fitted to form floor-to-ceiling openings specified to the custom height of the project:

### EzyJamb

Door Frames



### SlideSet

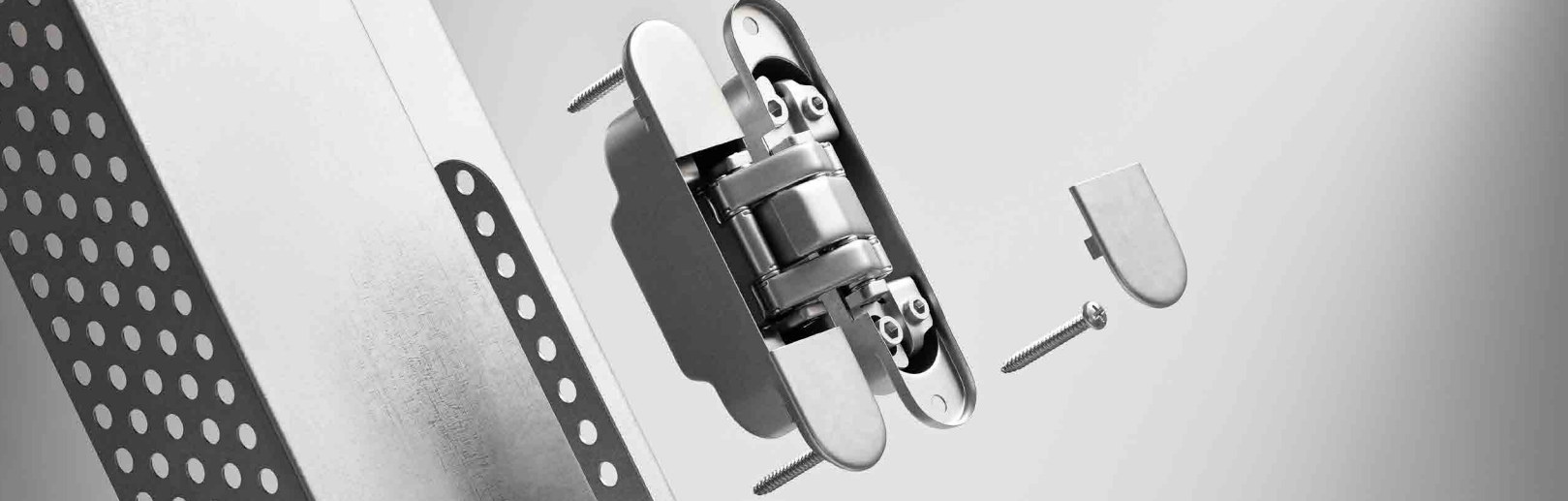
Pocket Doors



## More Information

For further information or assistance in installation of EZ Concept products, please visit:

<https://ezconcept.com.au/resources/installation-instructions/>



# RocYork

## Door Hardware

The combination of premium quality door furniture and contemporary interior styling is defined in RocYork®, authentic door hardware for the EzyJamb system. The RocYork range of functional door furniture integrates seamlessly with all facets of the EzyJamb door system to create that flush finish.

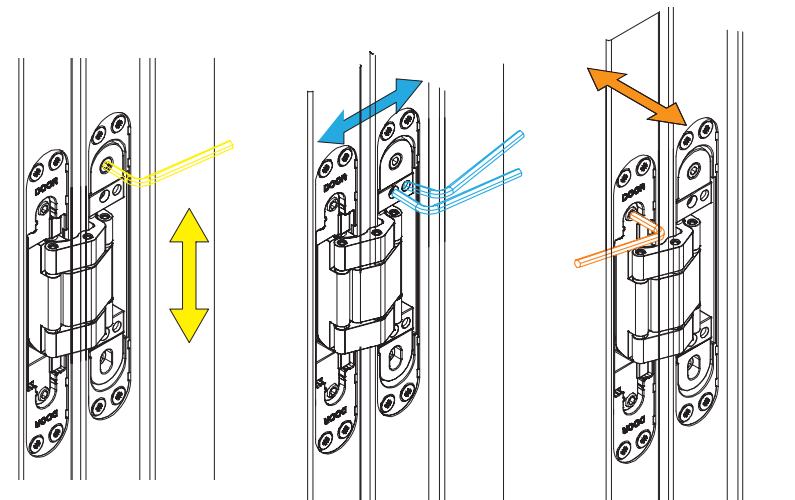
## Concealed

Make your door hinges disappear with the all new RocYork concealed door hinge from EzyJamb. This revolutionary architectural breakthrough will allow uninterrupted clean lines around internal doors for the ultimate square-set interior.

Check out some of the features and benefits of the RocYork concealed door hinge from EZ Concept.

### Features

- No visible barrel or pin
- Maintenance free bearing mechanism
- Aesthetically pleasing hinge covers



## Concealed Hinges



### RocYork RY-60

3 Axis Adjustable Concealed Hinge

Max Panel Width	36"
Max Panel Height	90"
Door Thicknesses	1-3/8" - 1-3/4"
Adjustments	X: Horizontal +3,-2 Y: Depth +/- 1 Z: Vertical +/- 2.5
Capacity <sup>1</sup>	132 lbs (2) RY-60 Hinges
Finishing	Satin Chrome 626 Polished Chrome 629 Satin Nickel 619 Black White
Fire Rating	UL 20 Minutes

- <sup>1</sup> When used with EzyJamb Flush Finish Frames three hinges are strongly recommended.
- <sup>2</sup> Tested in the US by UL in accordance with ANSI/UL 10C Fire Test of Door Assemblies



### RocYork RY-80

3 Axis Adjustable Concealed Hinge

Max Panel Width	36"
Max Panel Height	108"
Door Thicknesses	1-3/4" - 2-1/4"
Adjustments	X: Horizontal +3,-2 Y: Depth ±1 Z: Vertical ±3
Capacity <sup>1</sup>	176 lbs (2) RY-80 Hinges
Finishing	Satin Chrome 626 Satin Nickel 619 White Polished Chrome 629 Stainless Steel 630 Black
Fire Rating <sup>2</sup>	UL 20 Minutes

- <sup>1</sup> When used with EzyJamb Flush Finish Frames three hinges are strongly recommended.
- <sup>2</sup> Tested in the US by UL in accordance with ANSI/UL 10C Fire Test of Door Assemblies



### RocYork RY-120

3 Axis Adjustable Concealed Hinge

Max Panel Width	36"
Max Panel Height	120"
Door Thicknesses	1-3/4" - 2-1/4"
Adjustments	X: Horizontal ±3 Y: Depth +3/-2 Z: Vertical ±1
Capacity <sup>1</sup>	265 lbs (2) RY-120 Hinges
Finishing	Satin Chrome 626 Polished Chrome 629 Black
Fire Rating <sup>2</sup>	UL 20 Minutes

- <sup>1</sup> When used with EzyJamb Flush Finish Frames three hinges are strongly recommended.
- <sup>2</sup> Tested in the US by UL in accordance with ANSI/UL 10C Fire Test of Door Assemblies

## Mortised Hinges



### 4-1/2" x 4" Hinge

Hinge: HW-AS-RY4124SS

Door Thickness	1 3/4"
Version	4-1/2" x 4" Mortised Hinge
Material Gauge	.134
Finishing	Satin Stainless Steel 630 Black Finish
Fire Rating	90 Minutes



### 4" x 3-1/2" Hinge

Hinge: HW-AS-RY4312SS

Door Thickness	1 3/4"
Version	4" x 3-1/2" Mortised Hinge
Material Gauge	.134
Finishing	Satin Stainless Steel 630 Black Finish
Fire Rating	90 Minutes

## Non-Mortised Hinges



### 4" x 3" Hinge

Hinge: HW-AS-RYA4

Door Thickness	1 3/8" Door
Version	4" x 3" Ball Bearing Hinge
Material Gauge	.134
Finishing	Satin Stainless Steel 630 Satin Chrome 626 Oil Rubbed Bronze 613



### 4" x 3 1/2" Hinge

Hinge: HW-AS-RYC4

Door Thickness	1-3/4"
Version	4" x 3 1/2" Ball Bearing Hinge
Material Gauge	.134
Finishing	Satin Stainless Steel 630 Satin Chrome 626 Polished Chrome 625 Oil Rubbed Bronze 613
Fire Rating	90 Minutes

## Spring Hinges



### Spring Non-Mortised 4" x 4" Hinge

Hinge: HW-AS-RYC4SSS9

Door Thickness	1 3/4" Door
Version	4" x 4" Ball Bearing Hinge
Material Gauge	.134
Finishing	Stainless Steel 630



### Spring Mortised 4 1/2" x 4 1/2" Hinge

Hinge: HW-RY412SPSS

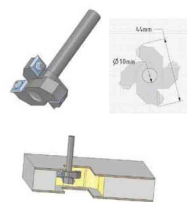
Door Thickness	1 3/4" Door
Version	4 1/2" x 4 1/2" Ball Bearing Hinge
Material Gauge	.134
Finishing	Stainless Steel 630

## Installation Tools



### RocYork Router Jig (wood)

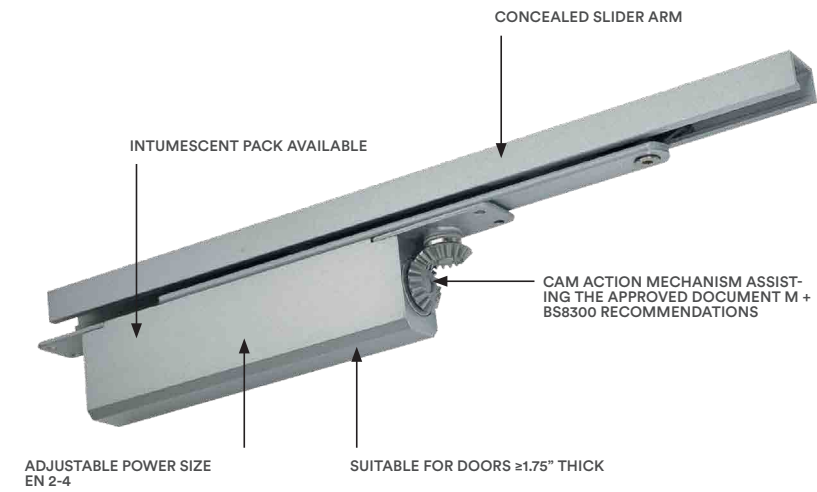
Item Number	Product
HW-RGN060S	RY60 Nail on Single Router Guide
HW-RGC060S	RY60 Clamp on Single Router Guide
HW-RGN080S	RY80 Nail on Single Router Guide
HW-RGC080S	RY80 Clamp on Single Router Guide
HW-RGN120S	RY120 Nail on Single Router Guide
HW-RGC120S	RY120 Clamp on Single Router Guide



### RocYork NoHa Milling Tool

Item Number	HW-NOHA-Milling Tool
Product	Mill Cutter for Noha Door Cavity

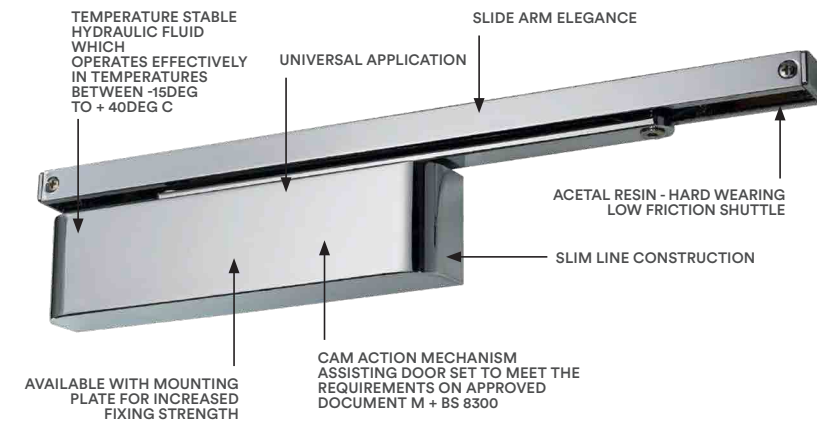
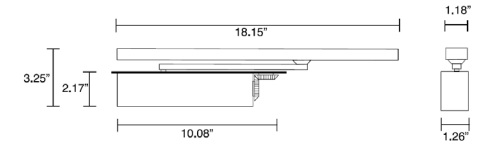
## Closers



### Concealed Slide Arm Closer

HW-RYCC60950

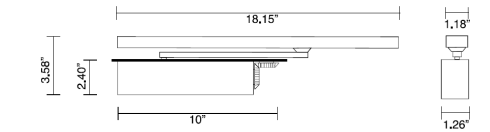
Max Door Weight	132lbs
Max Door Width	38"
Opening Angle	120°
Closing Speed	Adjustable



### Surface Slide Arm Closer

HW-RYSC60950

Max Door Weight	176lbs
Max Door Width	44"
Opening Angle	120°
Closing Speed	Adjustable



## Hardware Accessories



### EzyJamb Short Lip T-Strike

HW-RYSSTLP

Door Thicknesses	1-1/8" x 2-3/4"
Finishing	Stainless Steel



### EzyJamb Dust Box for EZC

T-STRIKE: HW-RYSBPI | ASA: HW-RYLBPI

Finishing	Black Polyurethane
-----------	--------------------



### EzyJamb Short Lip T-Strike

(For Roller Latch) HW-RYSSRLSP

Door Thicknesses	1-1/8" x 2-3/4"
Finishing	Stainless Steel



### EzyJamb Short Lip ASA Strike

HW-RYSSASASP

Door Thicknesses	1-1/4" x 4-7/8"
Finishing	Stainless Steel



### PLS 24 Magnetic Catch

HW-DHPLS24PRO-BLK/Silver

Finishing	Black Silver
-----------	-----------------



### EzyJamb Door Silencer

HW-RB

Finishing	Gray
-----------	------



### PLS 24 HD Magnetic Catch

HW-DHPLS24PROXHD-BLK/Silver

Finishing	Black Silver
-----------	-----------------

## No-Ha Door Handles

The RocYork® No-Ha 2.0 is the next evolution in door handles.

Integrating door handle and magnetic lock in one box; RocYork No-Ha 2.0 enables doors to be opened and shut whilst completely concealing the handle providing the same finish as the door and walls.

RocYork No-Ha 2.0 is part of the RocYork No-Ha collection, which includes the RocYork No-Ha Slide for sliding doors, RocYork No-Ha for drawers, cupboards and other accessories such as plates, WC handles (possible with No-Ha Nm 937).

The RocYork No-Ha cover plate is interchangeable so that it can be made to match the finish of the door panel. Also available in MDF or brushed stainless steel, the No-Ha handle has a solution for all interior appearances.

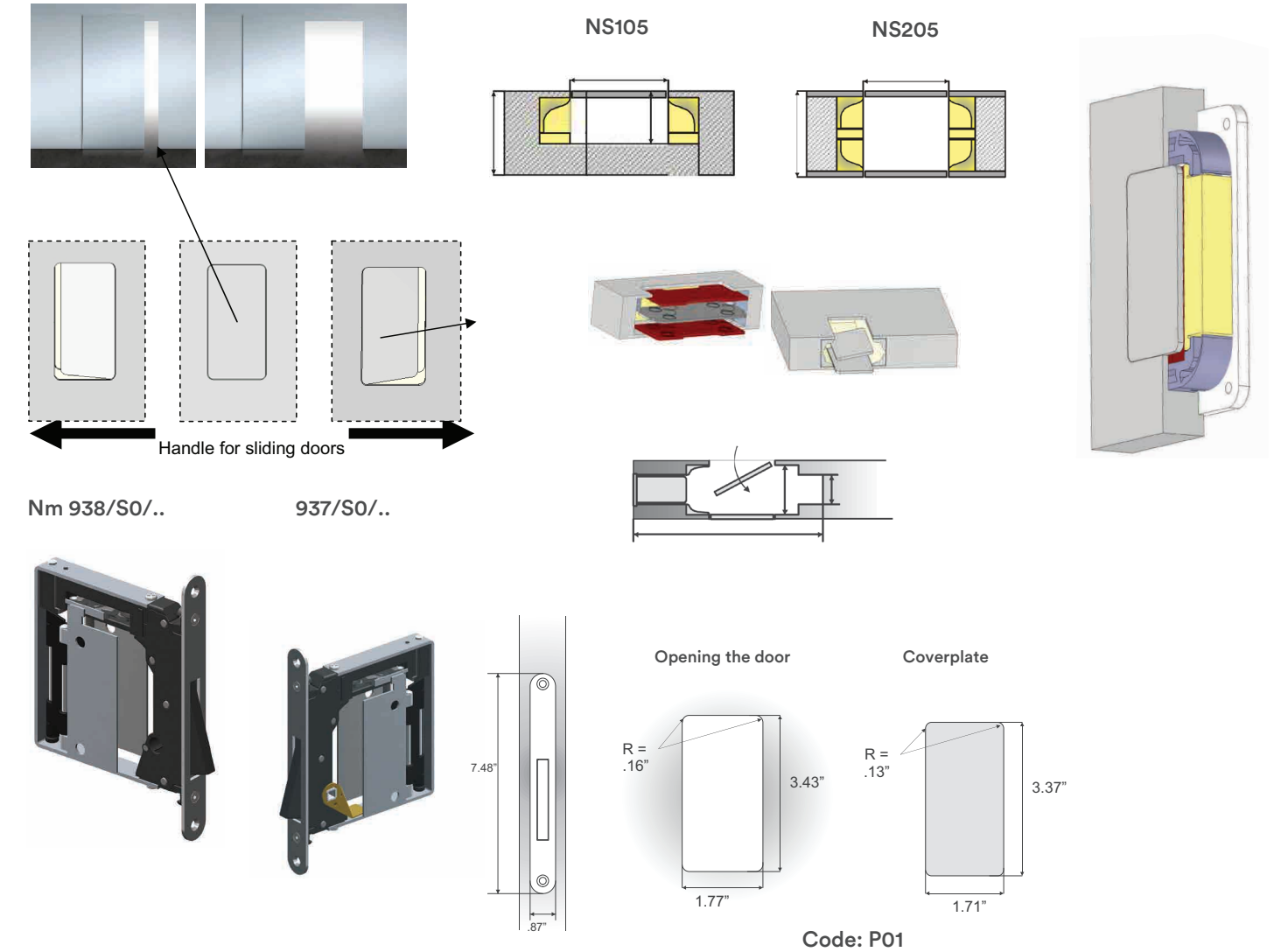


### Product Details

Part No.	Variant	Description	Finishing
HW-NOHA-SW-PA-938-S5/SC	Swing	NoHa Lock and Strike - Passage	Satin Chrome
HW-NOHA-SW-PA-938-S5/BK	Swing	NoHa Lock and Strike - Passage	Black
HW-NOHA-SW-PR-937-S5/SC	Swing	NoHa Lock and Strike - Privacy	Satin Chrome
HW-NOHA-SW-PR-937-S5/BK	Swing	NoHa Lock and Strike - Privacy	Black
HW-NOHA-PR-TURN-S012	Swing	Privacy Turn for NM937	
HW-NOHA-SL-1-SIDE	Sliding	NoHa Sliding Handle - One Side	
HW-NOHA-SL-2-SIDE	Sliding	NoHa Sliding Handle - Two Side	
HW-NOHA-CB-1-SIDE	Cabinet	NoHa Cabinet Handle - One Side	
HW-NOHA-Coverplate-MDF	Coverplate	Coverplate for all NoHa Series	MDF Prime
HW-NOHA-Coverplate-SS	Coverplate	Coverplate for all NoHa Series	Stainless Steel



## No-Ha Door Handles

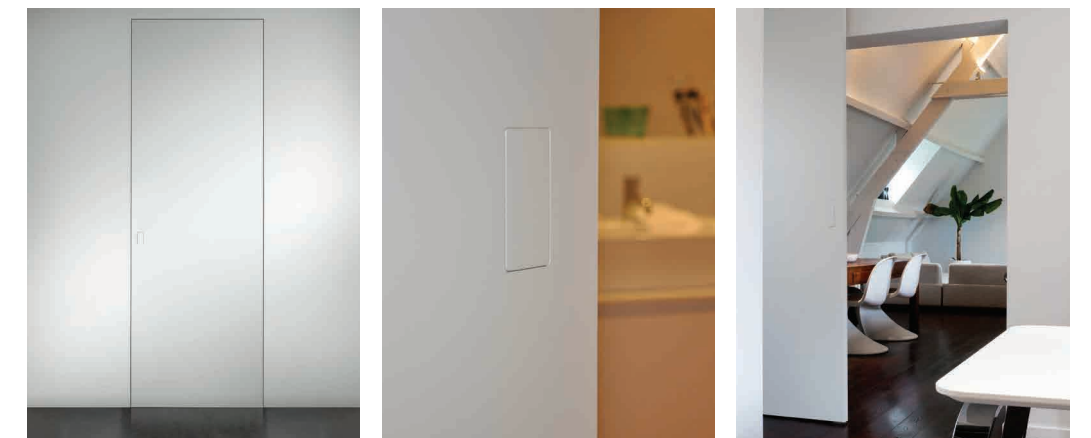


### Completed Installation

NoHa is the perfect solution for eliminating typical exposed hardware to operate doors. The flush finish final appearance is the perfect way to compliment EZ Concept trimless applications.

For further information or assistance in installation of RocYork products, please visit:

<https://ezconcept.com.au/resources/installation-instructions/>





# CavKit

## Trims to suit pocket doors

CavKit is a flush finish that trims and caps the drywall edges around the door penetration, to create a pocket door that can be hidden when open and provide privacy when closed, without the look of bulky trims.

Designed to perfectly match complementary EZ Concept systems, the CavKit pocket door trim system allows you to create a consistent flush look across all of your interior doors.

Creating a minimalist pocket door befitting of a modern interior applies to both Standard and Full Height openings. The height of the CavKit can be made-to-order to suit specified room height.



## Product Details

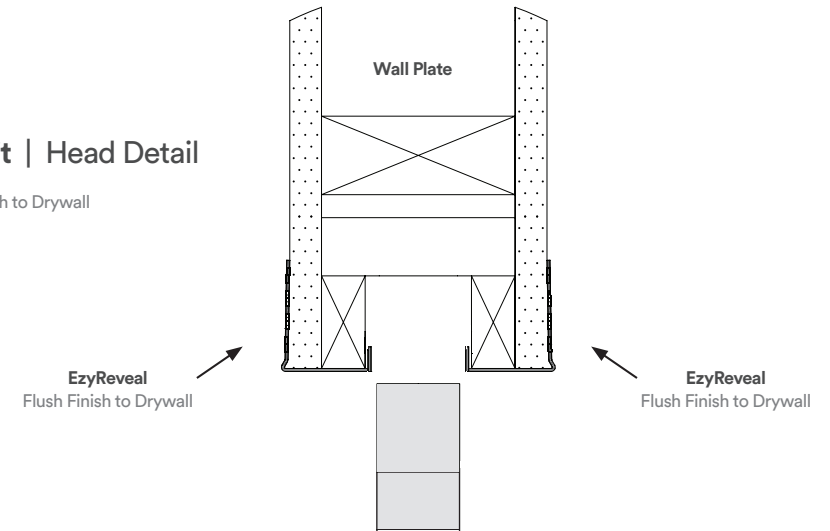
CAVKIT FLUSH FINISH POCKET DOOR TRIM KIT		ITEMS INCLUDED IN KIT
Door Widths	Up to 4-0" single or 8-0" pair	2x J bend EzyReveal to Suit Width
Door Height	Up to 10-0"	1x Closer Cap or EzyCap to Suit Height 2x EzyReveal to Suit Height
Door Thickness	1-3/8", 1-3/4", 2-1/4"	
Finished Wall Thickness	4-1/2" - 12"	

\*Door and hardware sold separately

## Installation Details

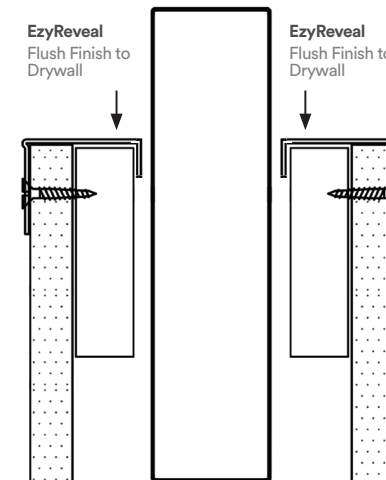
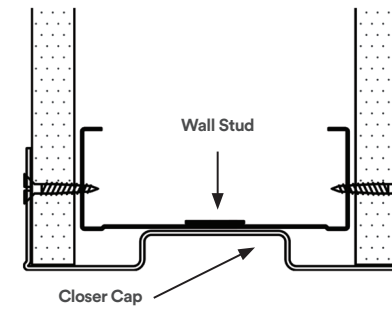
### CavKit | Head Detail

EzyReveal  
Flush Finish to Drywall



### CavKit | Plan View

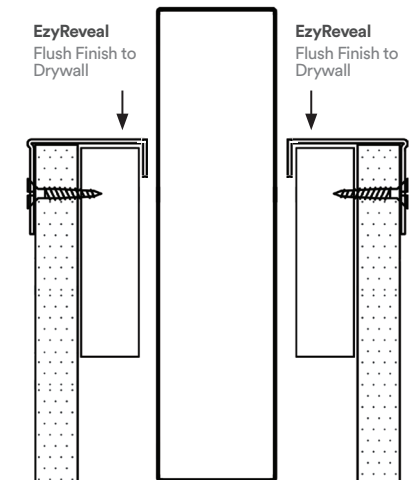
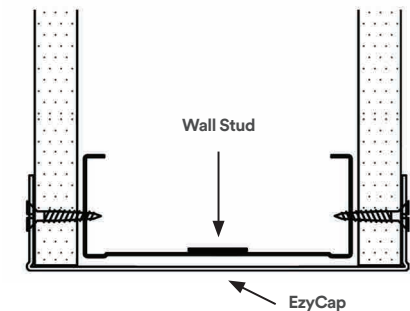
CavKit with Closer Cap as Standard



Standard Closer Cap

### CavKit | Plan View

CavKit with EzyCap upon request



Optional EzyCap





# SlideSet

## The Flush Finish Pocket Door Solution

The SlideSet Pocket Door System has been designed to provide the absolute minimum of detail, giving the ability to completely conceal the door and give the impression that the door does not exist when open, and complete privacy when closed, adding a contemporary and architectural dimension to any project.

### SlideSet Features

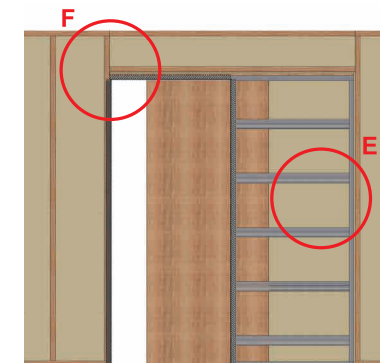
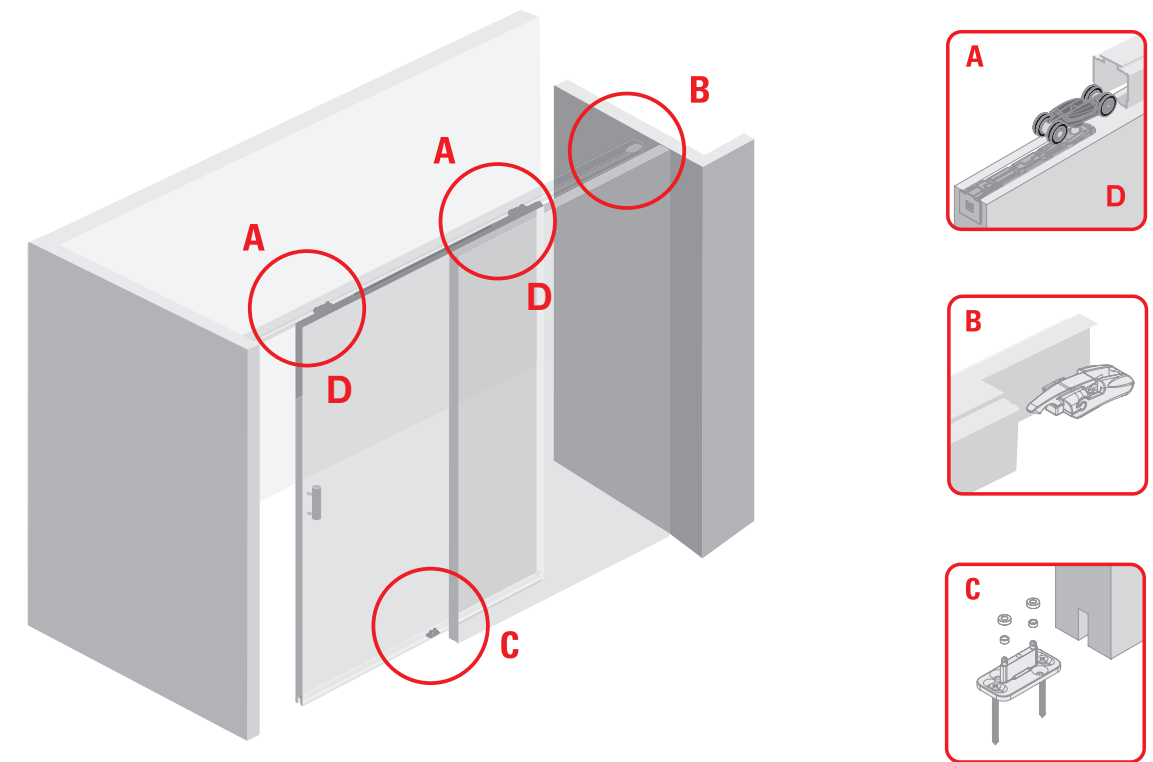
- Hardware concealed in door providing minimum gap between door/track
- Mounting plates allow for 'lift-up' installation
- Stoppers with retention device installed inside track will retain door
- Ball bearing high quality rollers and aluminium track allows for smooth simple opening and closing operation.
- Available for Standard Height and Full Height pocket doors.

### Product Details

#### EZ CONCEPT POCKET DOOR SYSTEM

Door Height	6'8" - 10'-0"	(Custom sizes available on request)
Door Widths	2'0" - 4'-0"	(Single & Double available)
Door Thickness	1-3/8" - 1-3/4"	(Custom sizes available on request)
Door Weights	176/264lbs	(176lbs w/EzSoft - 264lbs w/o EzSoft)
Wall Stud Options	3-1/2", 3-5/8", 5-1/2", 6"	
Head Options	Standard	(See Cavkit Head Detail)




### Product Details

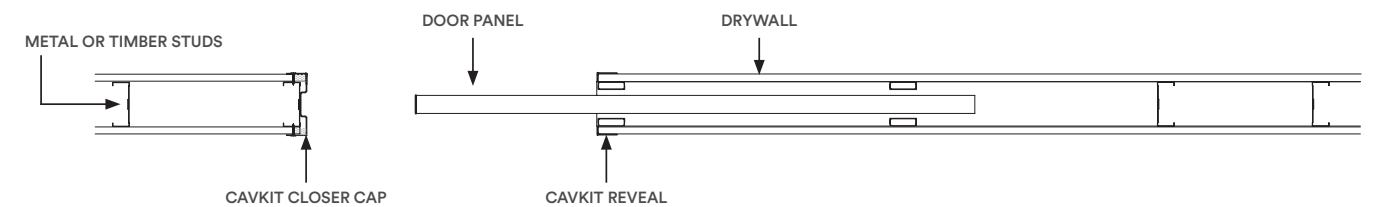


### SlideSet Includes:

- 1 / A Track
- 2 / A Carrier Assembly
- 2 / B Stopper with Retention
- 1 / C Floor Guide
- 2 / D Door Mounting Plates
- 1 / E Pocket Door Assembly
- 1 / F CavKit Trim
- 1 Screws for Assembly
- 1 Adjustment Tool

### Options

-  Ez-Soft avoids from bumping and gentle door closing.
-  Complete the kit by selecting a solid core paint grade door prepared for the SlideSet assembly.
-  No-Ha invisible handles create a concealed flush finish, for a complete minimalist package.

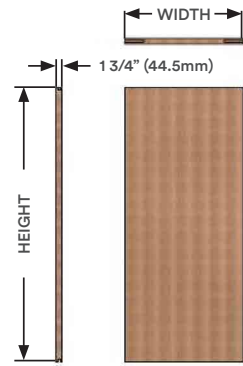


### Specification Details

- Stud Size	- Drywall	- Frame Width	- Frame Height	- Door Thickness	- Soft Stop
EX. 3-5/8" - 5/8" - 3'-0" - 8'-0" - 1-3/4" - Y/N					

**Step 1**

Identify the desired width and height of the door.



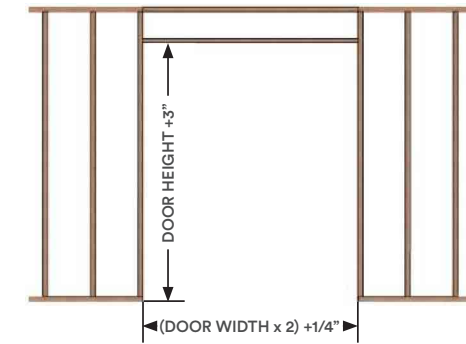
**Step 2**

Prepare door for concealed carriers.



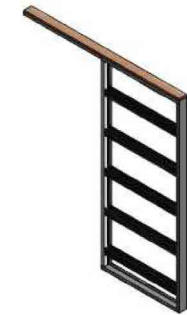
**Step 3**

Prepare rough opening.



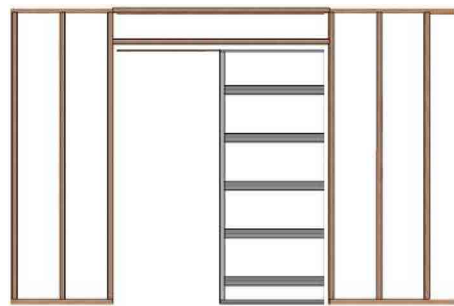
**Step 4**

Fasten Track to Split Stud Wall Assembly.



**Step 5**

Insert assembly into rough opening. Level, plum, shim, fasten.



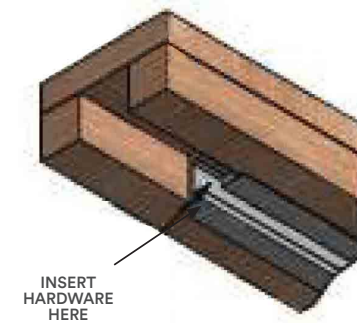
**Step 6**

Insert floor guide.



**Step 7**

- A. Insert rear stop and slide to rear.
- B. Insert rear carrier and slide to middle.
- C. Insert front carrier.



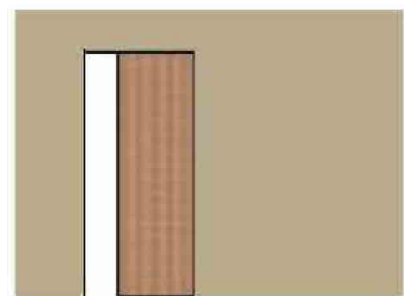
**Step 8**

- A. Hang door and slide into pocket.
- B. Insert front stop and slide to the rear a few inches.
- C. Place filler track in gap and fix to the assembly.
- D. Adjust and secure stops.



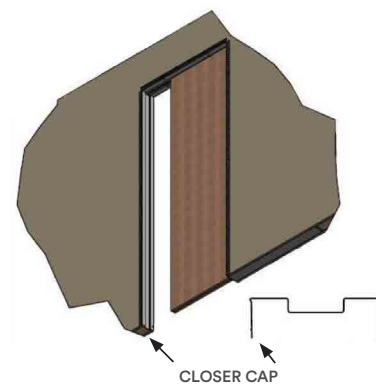
**Step 9**

Hang drywall.



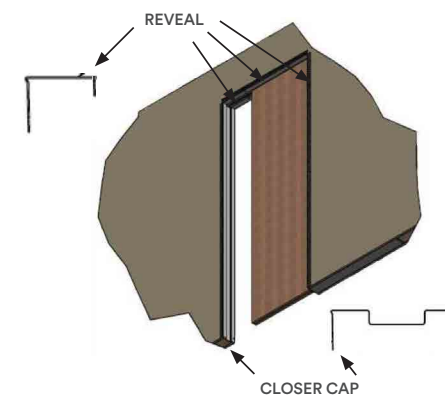
**Step 10**

Install Closer Cap.



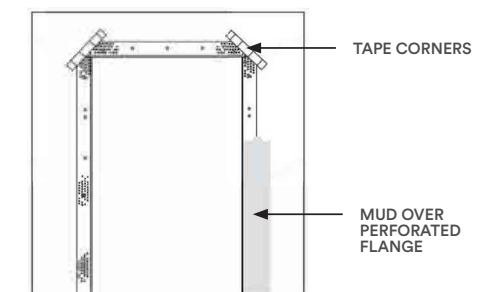
**Step 11**

Install Reveal.



**Step 12**

Tape and mud. Prime and paint.

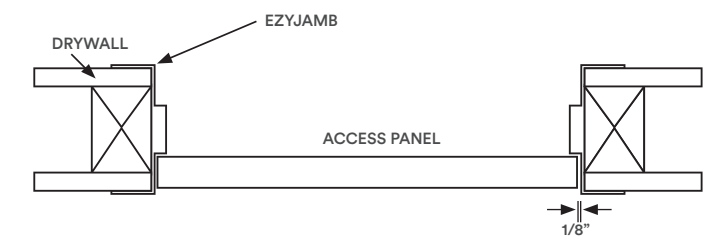
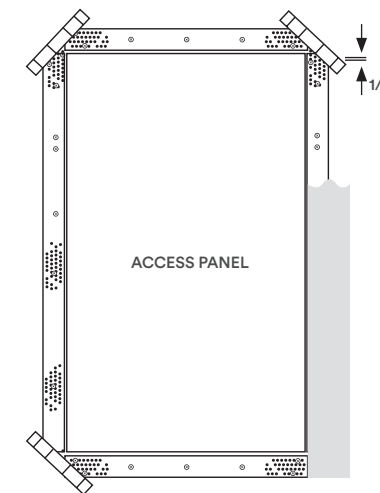




## Product Options

- Fire Rating up to 90 Minutes
- T-Strike or ASA Strike Prep
- Ball Catch (T-Strike)
- PLS 24 Strike
- Adjustable Concealed Hinges
- Double Door

## Installation Detail



# AccessDor

## Custom Access Panels

AccessDor® cleverly conceals the appearance of the access panel by creating a flush finish to the drywall and eliminating the need for trims and architraves around the door. With only a 1/8" reveal between the door and Drywall, AccessDor blends seamlessly into the wall or ceiling, resulting in a frameless access panel. Available in standard sizes or bespoke solutions, AccessDor can be custom made to fit your specifications.



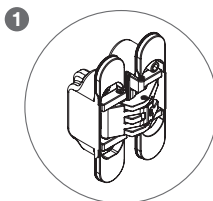
## Product Details

### ACCESSDOR ACCESS PANEL TIMBER LEAF DOORSET

Door Thickness 1-3/4"

Fire Rating Up to 90"

Hinge Options **1** RocYork Concealed Hinges



- Options
- Available with a single piece or split piece jamb
  - Available with or without doors (flush primed doors only)
  - Acoustic rating available on selected products
  - Single or double access panel options available
  - Field of assessment available upon request

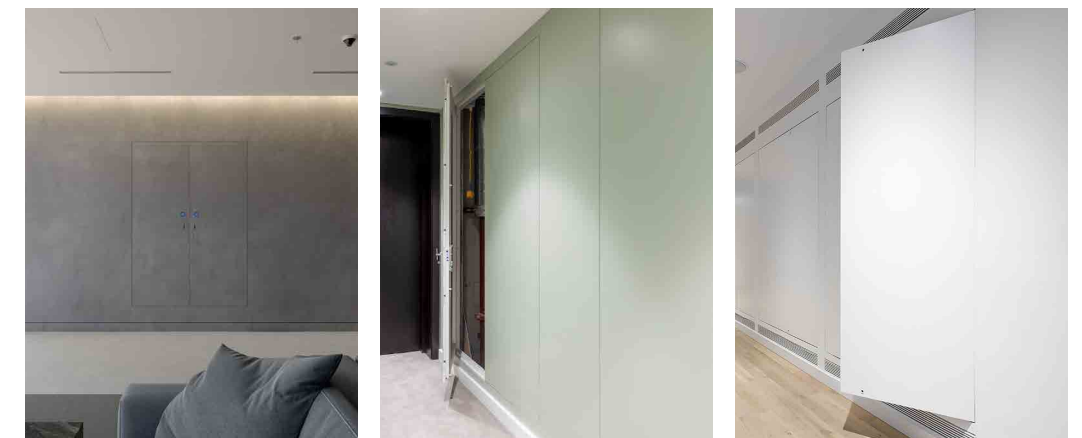
**i** Door ironmongery by other manufacturers. Door hinges by EZ Concept.

## Completed Installation

AccessDor creates a minimalist finish for modern interiors. The defined aesthetic is perfect for hiding servicing hardware and requirements.

For further information or assistance in installation of AccessDor products, please visit:

<https://ezconcept.com.au/resources/installation-instructions/>

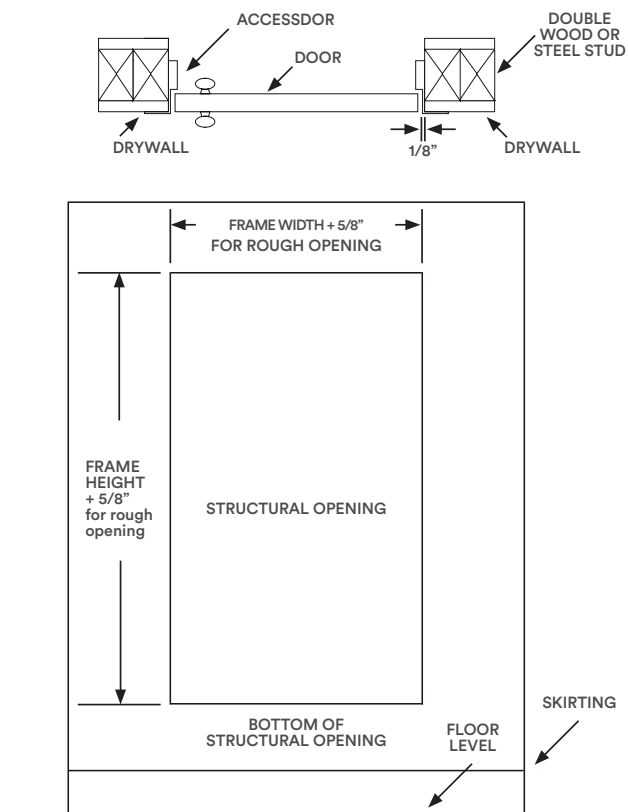


# Installation Instructions

## Step 1

Ensure that the structural opening is square, level, and is the correct size.

Make sure the rough opening has double studs, the manufacturer strongly recommends wood studs or a minimum 18 gauge .030mm metal studs on both sides of the opening. Studco recommends double studs for this installation.

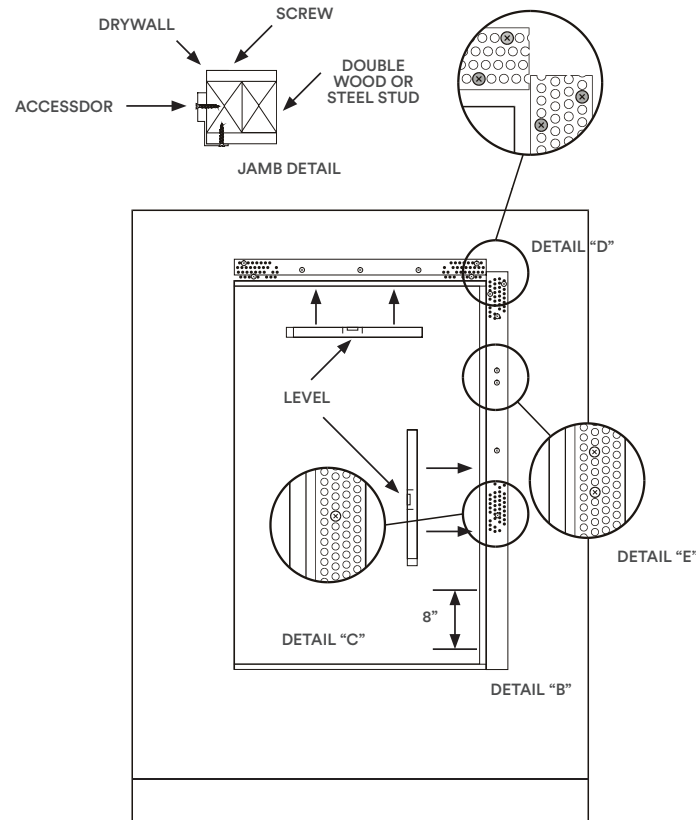


## Step 2

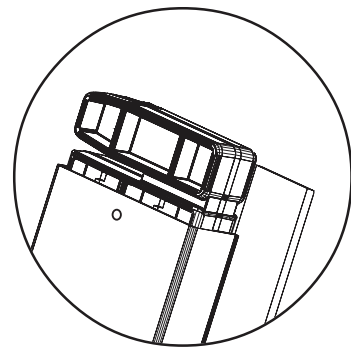
Ensure the structural opening is square and level.

Fasten hinge side first, making sure jamb is level and as tight against stud opening as possible.

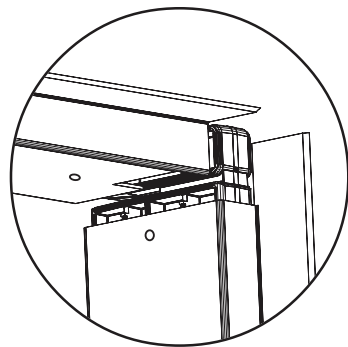
Then screw at 8" centres up stile, screwing back through drywall into stud jamb. Double screw all ends as Detail D and beside hinge positions - both above and below hinge if using concealed hinges as Detail E.



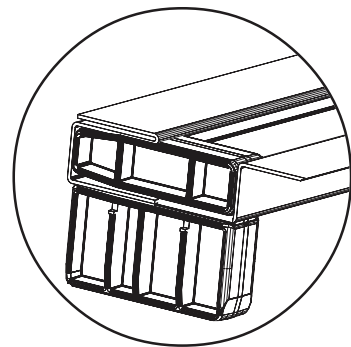
## Step 2A | Head Installation



Head joiners as inserted in jamb.



Locate head into joiner and make flush with jamb so the head joiner is not seen.



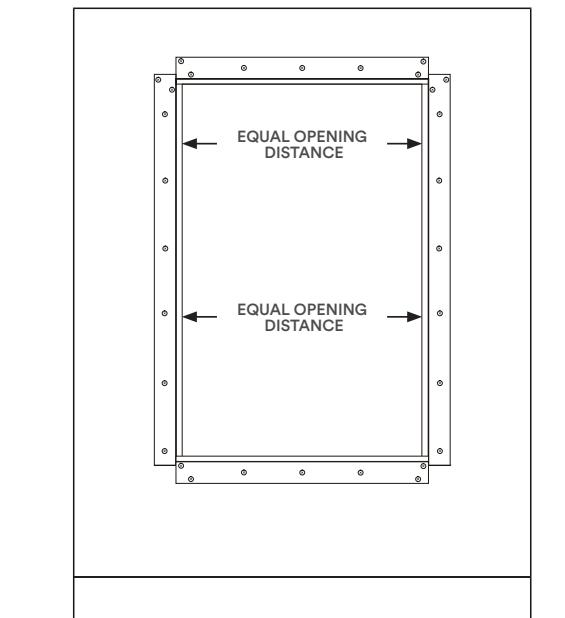
Remove the remaining head joiner out of the strike jamb into the end of the head (as shown) to receive the strike jamb. Repeat for the bottom jamb.

# Installation Instructions

## Step 3

Fit the final vertical section (strike jamb) into the head section joining clip. Ensure that the spacing between the two vertical sections are spaced evenly at the required distance.

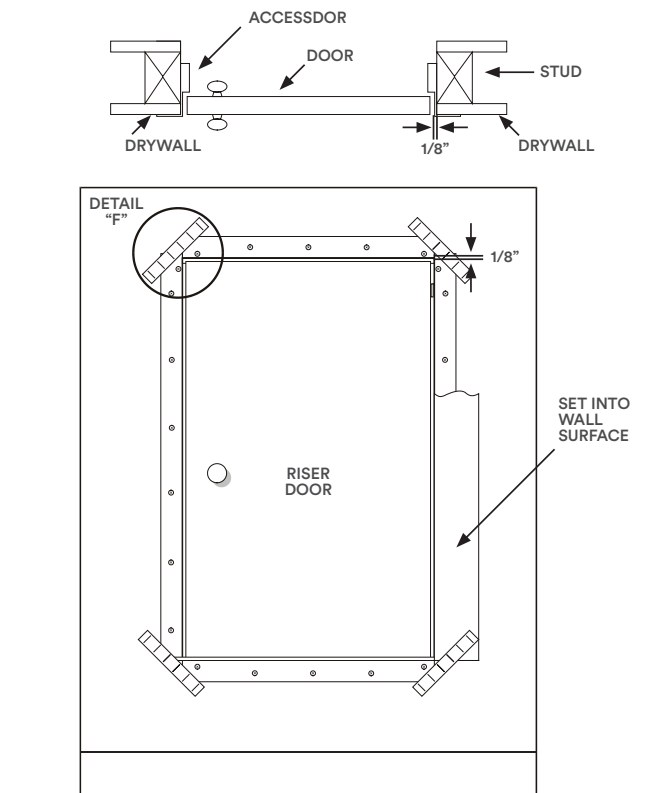
Ensure the head jamb sits inside the two side jambs. (1/16" down from top of side jamb)



## Step 4

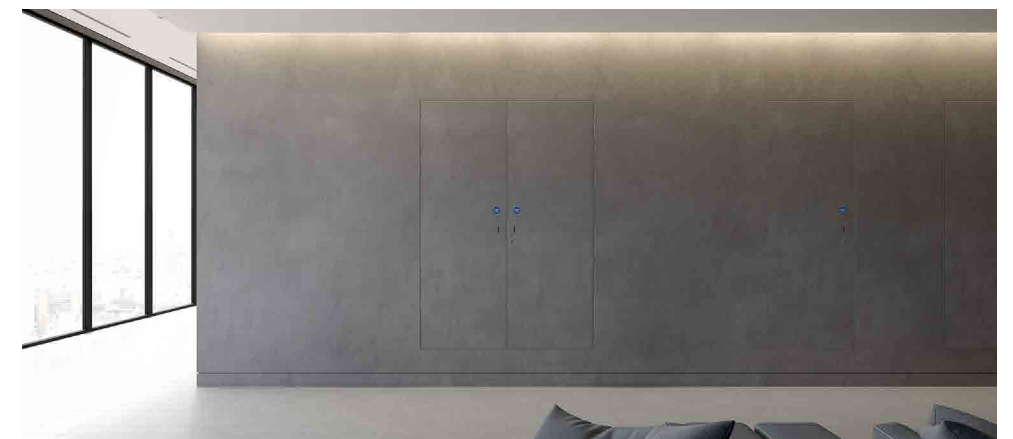
Ensure the perforated side strips sit flat against the plasterboard to enable the jamb sections to be easily set into the wall surface. **All the corners must be taped and plastered in as Detail F.** Finish the jamb with approved plaster compound.

Hang the door in position leaving about 1/8" clearance from the top and the hinged side using the RocYork Concealed Hinges. Mount the striker plate into position to align with the strike plate punching.



## Completed Installation

The completed riser door is flush finished and can be painted in with the whole wall area to fully conceal any fixing, achieving simple clean lines around the door face.



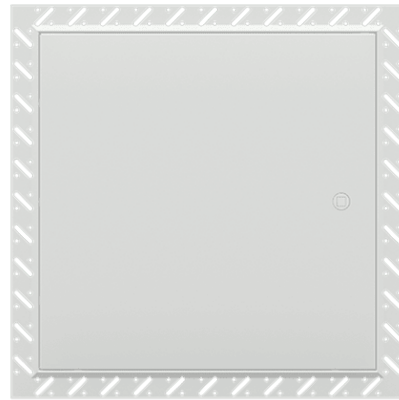


# AccessDor

## Metal Faced Access Panels

AccessDor® Metal Faced Access Panels are suitable for wall and ceiling applications and come with a variety of locking mechanism options to meet your security requirements.

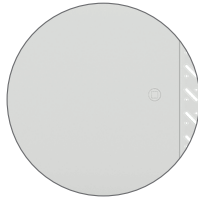
An access door is a great addition to any room; hide the appearance of ceiling access panels or service cupboards by specifying AccessDor in your next project.



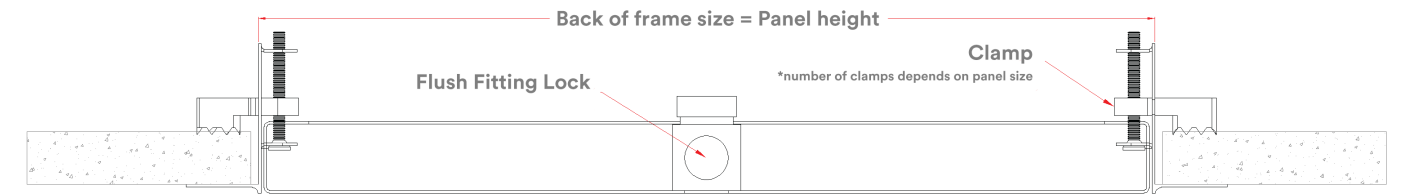
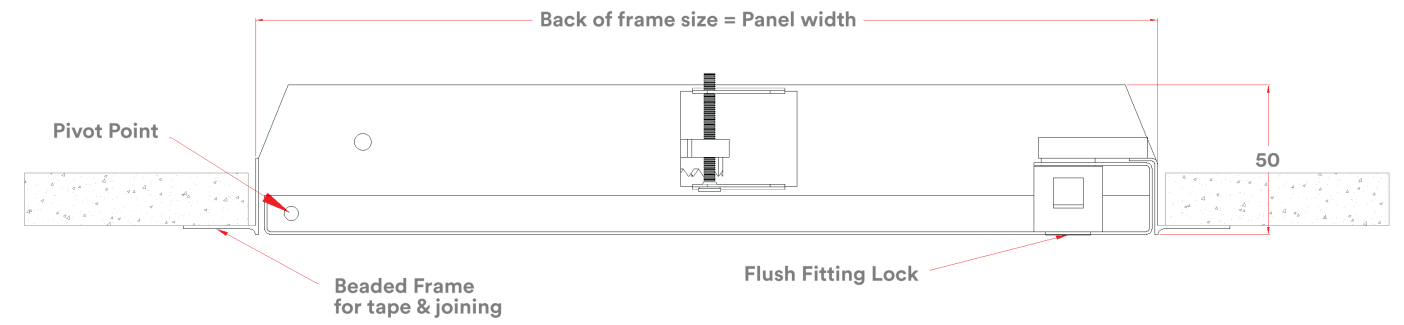
### SlideSet Features

- Additional colours available upon request.
- Beaded frame produces a seamless and hidden finish in a cost-effective manner.
- Complete with purpose-built fitting device, panel is secured against the drywall for 9-32mm thicknesses 5x quicker than a standard panel installation.
- Non fire-rated, non acoustic rated, not smoke tested, not air pressure tested.

## Product Details

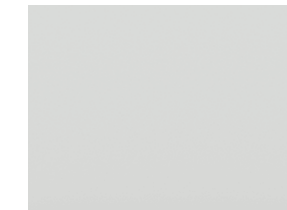
CATEGORY	DETAILS		
Door Sizes	12" x 12"	18" x 18"	24" x 24"
Frame Thickness	1/32"		
Door Thickness	1/32"		
Framing	Beaded		
Coating	Powder Coated RAL 9010 30% Gloss		
Lock Options	Flush Lock		

## Product View



## Details

### Materials



White Power Coat

### Flange



Beaded Frame

## Locking Mechanism



### Flush Lock

The Metal Door Range is paired with a new patented Flush Lock system. The lock brings a subtle finish whilst eliminating the possibility of losing a bung.

# Product Finishing

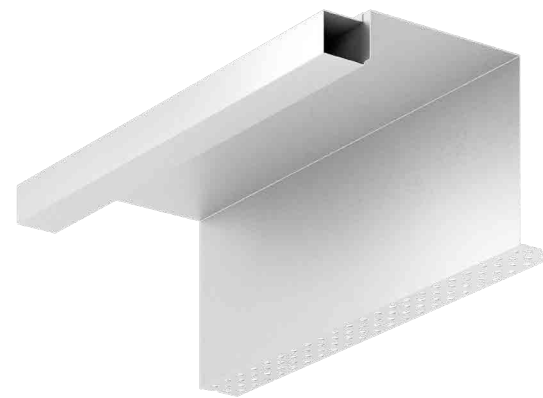


# EzyPelmet

## Fast, Economical Recessed Window Pelmet Systems

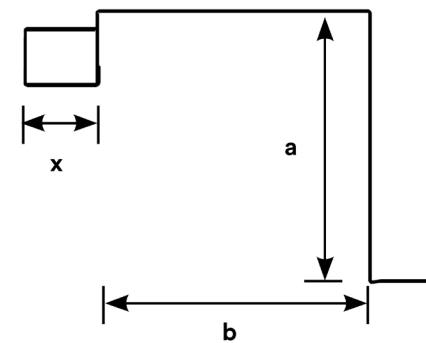
Adding a new dimension to the internal perimeter of square-set interiors, EzyPelmet® is a two-piece steel pelmet system that makes window blinds disappear, cleverly conceals feature lighting and opens vast panoramas before your eyes. EzyPelmet offers a simple and discrete transition between the interior ceiling and external windows, curtain wall facades or the building structure.

The two-piece, pre-finished steel construction of EzyPelmet makes installation simple, compared to traditional pelmet systems that require time consuming construction methods.



### EzyPelmet Features

- Contemporary, clearview design.
- Flush-finish edge for square-set interiors.
- Completely concealed fixings.
- Does not require fixing from the top.
- Install from below after ceiling.
- Fastest method for creating window pelmets.
- Suitable for blinds, curtain, lights & more.

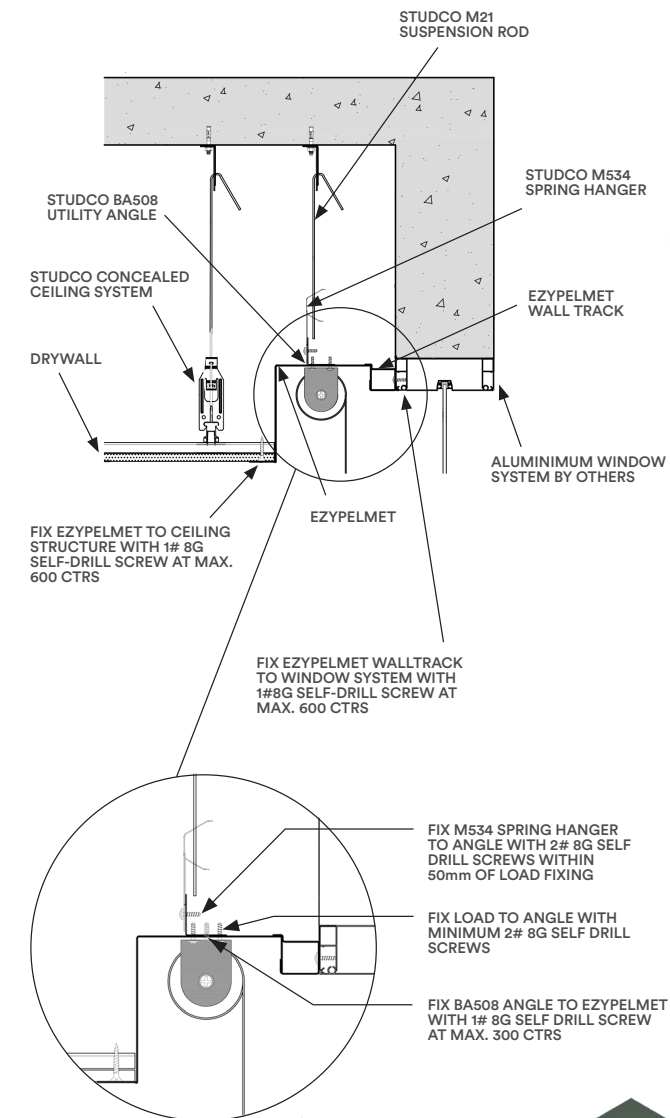


### Product Details

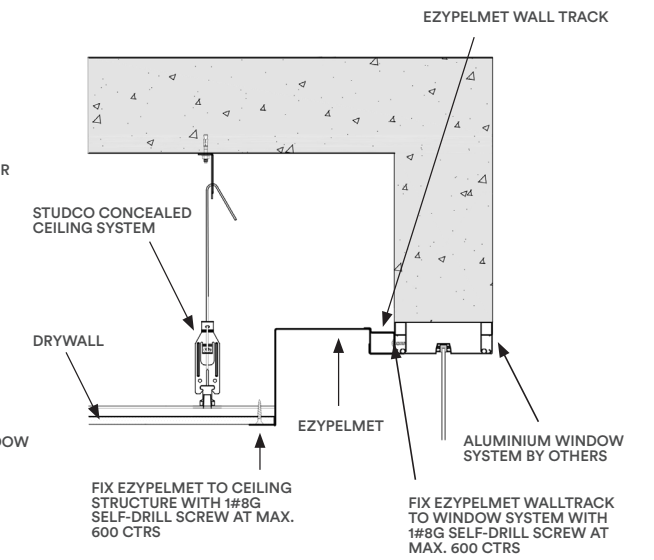
DIMENSION	DESCRIPTION	LENGTH
X	WALL TRACK WIDTH	10' (Custom Lengths Available)
A	PELMET HEIGHT	10' (Custom Lengths Available)
B	PELMET WIDTH	10' (Custom Lengths Available)

## Installation Detail

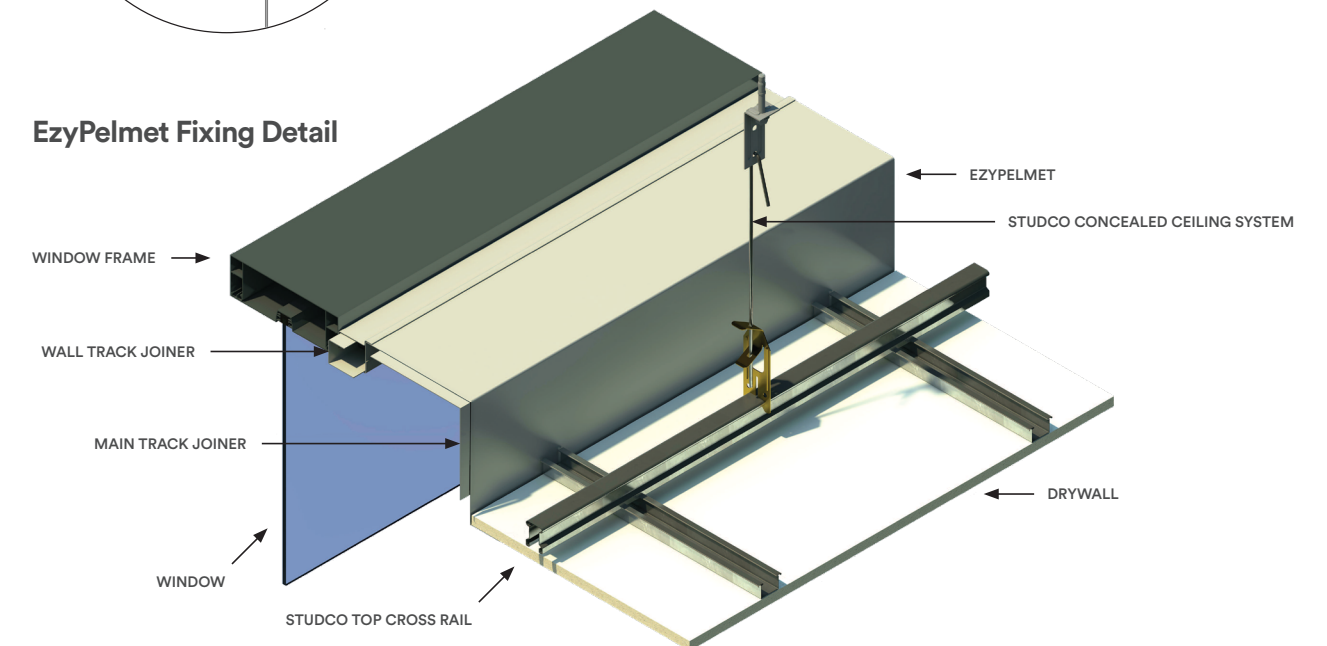
### Load Bearing Fixing Detail



### Standard Fixing Detail



### EzyPelmet Fixing Detail





# EzyCap

## Cased Opening and Wall End Solution

A steel capping for the likes of internal cased openings and internal partition wall ends. This wall end provides the strength necessary for high traffic areas susceptible to contact.

### EzyCap Features

- Galvanneal finish ready to be primed and painted with the rest of the wall.
- Low time and effort involved in installation.
- Versatile aesthetic with option of flat or shadowline line cap finish.

### Product Details

Part no.	Wall Thickness	Length	Material
EC92-358100-R	3-1/2"	10' 0"	20ga
EC98-378100-R	3-3/4"	10' 0"	20ga
EC118-458100-R	4-1/2"	10' 0"	20ga
EC124-478100-R	4-3/4"	10' 0"	20ga
EC127-5100-R	4-7/8"	10' 0"	20ga
EC175-678100	6-3/4"	10' 0"	20ga

**i** Custom Wall Throat, Width and 18ga material available on request

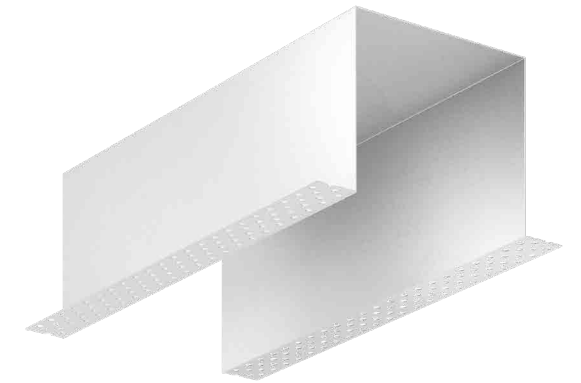


# FastCap

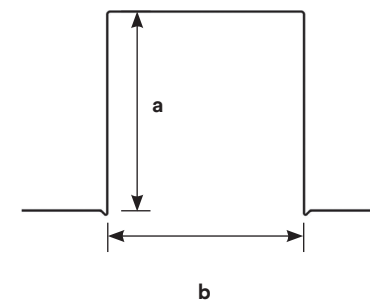
## Wall & Ceiling Recessed Channel

Inspired wall and ceiling designs command attention using FastCap; this innovative solution easily inserts between the two sections of drywall to make light work of difficult recesses, drywall profiles and large oversized shadow-lines.

Ideal for capping feature lighting or hardware, custom finishing and capping of drywall is made easy with the FastCap range of custom made finishing sections.

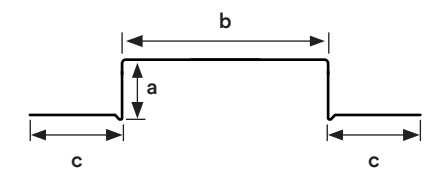


Custom FastCap



Custom size FastCap profile.  
Please specify sizes when ordering.

Shallow FastCap



Custom size shallow FastCap profile.  
Please specify sizes when ordering.

**i** 10' Length Standard  
Custom Sizes available on request





# EzyReveal

## Premium Square Set Trim Free Window Reveals

Eliminate trims and create pure clean lines for square set interiors using EzyReveal®. Manufactured from cold rolled steel EzyReveal® provides a strong and secure reveal eliminating warping, twisting, cracking and damage from UV rays. Installation is simple. The strong and durable metal rollformed EZ Concept sections have pre-punched perforated sides for fixing and have a specially formulated surface finish for a seamless drywall connection.

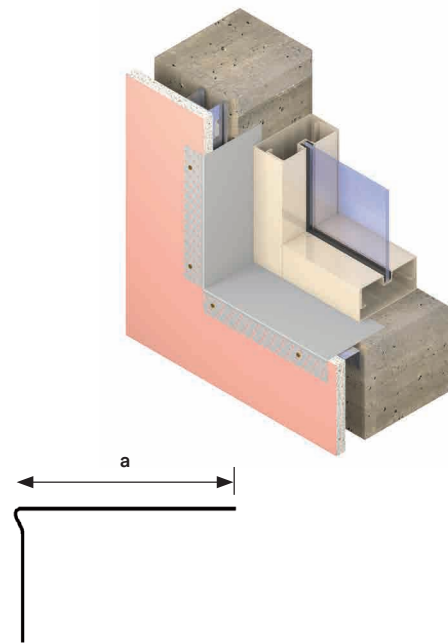
### EzyReveal Features

- Designed for quick and economical finishing of reveals from 13/16" to 10-1/2".
- 18 standard variants to suit various applications.
- Specially formulated surface finish for seamless connection with drywall.
- EzyReveal can be used with PVC finish trim to create custom size reveals.

### Product Detail

Part No.	'a' Section Width	Length mm
RA20-1316100	13/16"	10' 0"
RA25-1100	1"	10' 0"
RA35-138100	1-3/8"	10' 0"
RA45-134100	1-3/4"	10' 0"
RA50-2100	2"	10' 0"
RA60-238100	2-3/8"	10' 0"
RA65-2916100	2-9/16"	10' 0"
RA80-318100	3-1/8"	10' 0"
RA90-3916100	3-9/16"	10' 0"

Custom widths available on request



Part No.	'a' Section Width	Length mm
RA100-4100	4"	10' 0"
RA110-438100	4-3/8"	10' 0"
RA120-434100	4-3/4"	10' 0"
RA138-512100	5-7/16"	10' 0"
RA150-6100	6"	10' 0"
RA265-1012100	10-1/2"	10' 0"

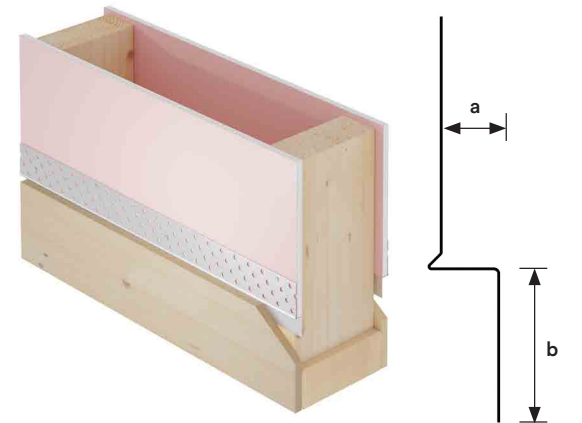
# Custom Shadowline

## Clean Contemporary Lines

Modern interior design is characterised by clean lines and flush finishes. Shadowline sections provide simple yet effective details to interior spaces, such as ceiling perimeters, doorways and skirting boards, amongst other applications. To create a unique profile for your project EZ Concept presents Custom Shadowline; made to meet your specific size requirements for the perfect fit in your design.

### Shadowline Features

- Create the exact shadowline you need.
- Allow for variations in floor height or plaster thickness using a custom formed section.
- Heavy duty material to create a perfect straight and cleanline.



Custom size profile. Please specify sizes when ordering.

### Product Detail

Part No.	'a' Section Width	'b' Section Height	Length
SL-1214100	1/2"	1/4"	10'
SL-1212100	1/2"	1/2"	10'
SL-121100	1/2"	1"	10'

Part No.	'a' Section Width	'b' Section Height	Length
SL-5814100	5/8"	1/4"	10'
SL-5812100	5/8"	1/2"	10'
SL-581100	5/8"	1"	10'

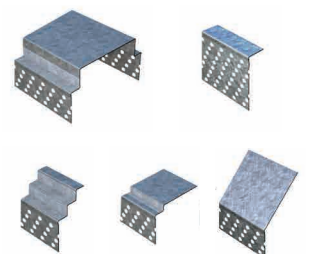
Custom lengths and widths available on request

# Custom Finishing Sections

## Create Harmonious Finishes

The clean line and square set look can now be achieved throughout your complete project. Contact the team at Studco to assist you with creating a custom flush finish section to suit your needs. Here at Studco we can provide a whole finishing package that will enable you to deliver the flush finish look.

Custom lengths and widths available on request





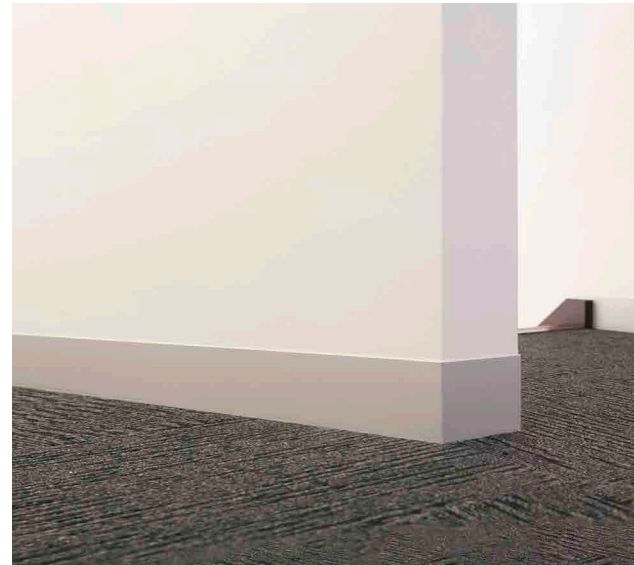
# AluBase

## Anodized Aluminium Base Board Trim

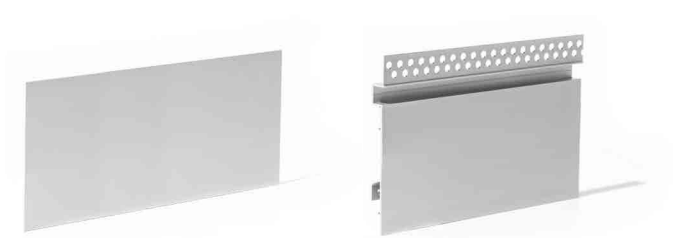
AluBase® Base board is a modern alternative to traditional timber base boards. AluBase is equipped to residential suit modern finishes and commercial office environments.

### Features

- One piece profile manufactured from high quality aluminium.
- Concealed fixing system.
- Excellent resilience to wear and impact.
- Supplied in natural anodised finish.
- Perfect joints are easy with option joiners.
- Baseboard height 4"
- Available in Flat Skirting and Shadowline options.



### AluBase Options

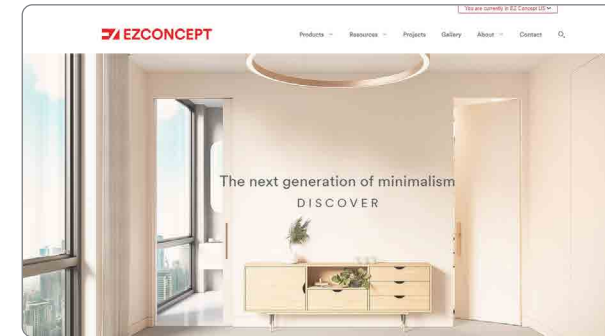


Flat Skirting  
SK100

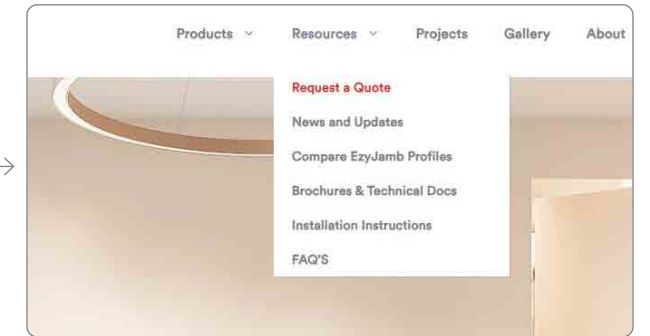
Shadowline  
SLS1290 / SLS5890

## Ordering Guide

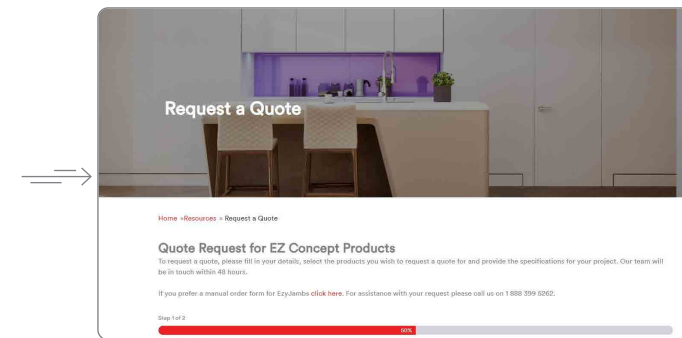
To request a quote or place an order with EZ Concept, visit [ezconcept.com/quote-request/](https://ezconcept.com/quote-request/) or email [quotes@ezconcept.com](mailto:quotes@ezconcept.com) for a request form. If you require assistance with placing an order, please call our team on 1 888 399 5262.



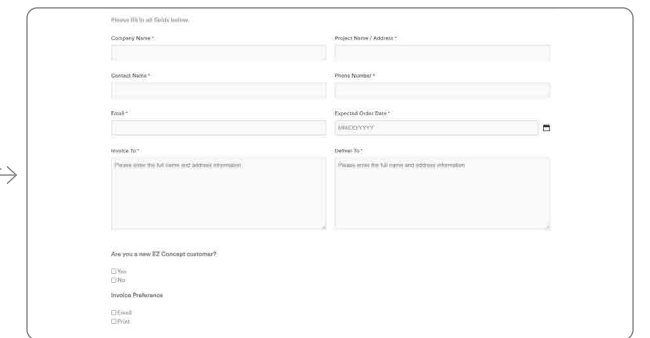
Website Main Page



Navigate Resources > Request a Quote through Menu Bar



Quote Request Page



Fill in Project Details

## Ordering Information and Conditions

### Availability

- All EzyJamb, CavKit and SlideSet products are made to order.
- Lead times apply to all EzyJamb, CavKit and SlideSet orders. Always confirm lead time with EZ Concept prior to placing order.
- All orders are accepted by EZ Concept on a FIFO (first in, first out). For urgent orders, please refer to the point below.

### Expedited Orders

- For urgent orders, manufacturing processes can be expedited on request.
- Expedition of EZ Concept products may not always be possible and is subject to operational requirements. Always confirm exact lead time with EZ Concept prior to placing order.



**For Sales and Technical Enquiries, please contact EZ Concept USA.**

T: 1 888 399 5262  
W: [www.ezconcept.com](http://www.ezconcept.com)  
E: [sales@ezconcept.com](mailto:sales@ezconcept.com)

Head Office - Rochester  
1700 Boulter Industrial Parkway,  
Webster, NY 14580

