



Master *Suite*[®]

HOOKS AND HOOK MOUNTS

Maximize space, and add convenient organization, with our newest line of multi-functional hooks and hook mounts.

Made from durable cast metal, each style of hook is designed with purpose, yet is visually flexible and versatile enough to fit in many places and applications. Hooks are available in matte aluminum and oil rubbed bronze (black) finishes.

Easy-to-install, pre-drilled hook mounts come in 3 lengths, multiple

finishes, and accommodate 2 to 4 hooks.

A mounting template is also available to install hooks on an upright, panel or custom cleat.

Create designated storage areas with personalized options in closets, pantries, laundry rooms, entry ways, mudrooms, and in tucked-away, formerly unused spaces with these great multipurpose hook accessories.



HOOKS

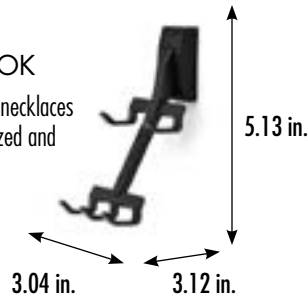
COAT HOOK

Perfect for entryways, mudrooms, bathrooms, and hotel rooms



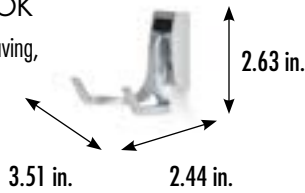
BELT HOOK

Keep belts or necklaces neatly organized and on display



DOUBLE HOOK

Low-profile, space-saving, multi-purpose hook



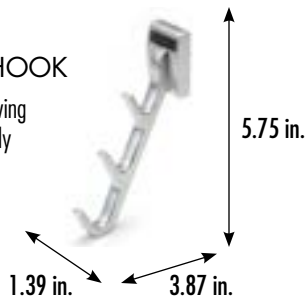
BROOM HOLDER

Ideal for organizing cleaning tools



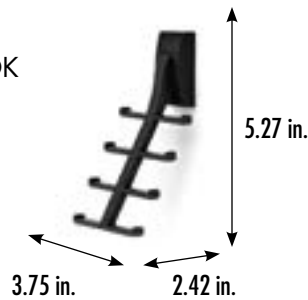
WATERFALL HOOK

Holds hangers, allowing for outfits to be easily pieced together



TIE HOOK

Sleek profile, space-saving



ITEM PART NUMBER BY FINISH

Item	Matte Aluminum	Oil Rubbed Bronze
Coat Hook	62373	32373
Belt Hook	62372	32372
Double Hook	62376	32376
Broom Holder	62386	32386
Waterfall Hook	62387	32387
Tie Hook	62385	32385

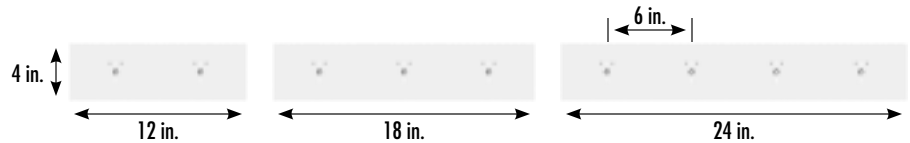
- Master Carton Qty: 24

Available Finishes

Matte Aluminum and Oil Rubbed Bronze

HOOK BOARD MOUNTS

- Pre-drilled, 3/4" thick melamine with edge banding on 4 sides
- Master Carton Qty: 1



Available Finishes



HOOK MOUNT TEMPLATE

- Item Part Number: 3687
- Use a level and mark location of the hook
- Drill holes, and use appropriate hardware for the mounting surface

